

## PART NUMBER

## ESOMVR10-TP / ESOMVR30-TP

### MODEL DESCRIPTION

Residual Current Device (RCD) 230-240Va.c. 20 Amp 10mA or 30mA with torx head security screw fixed cover

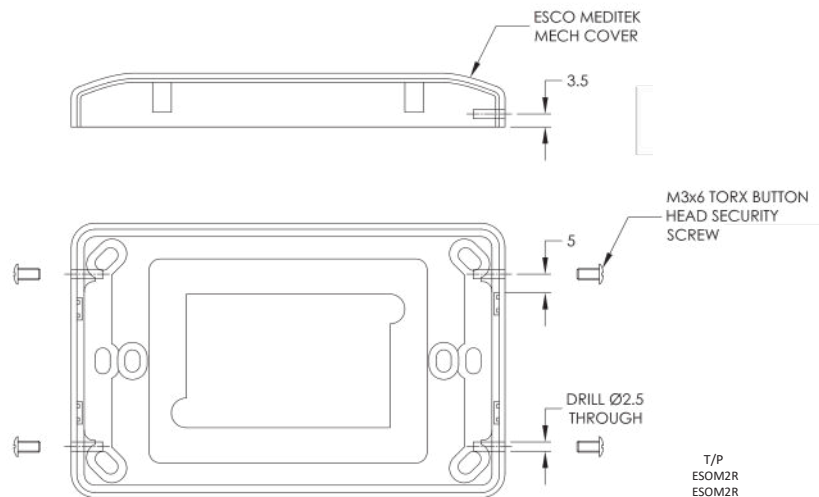


#### ANTIMICROBIAL RESILIENCE

Manufactured with an antimicrobial additive which has been independently tested by an accredited laboratory to ISO 22196 as being an effective antibacterial solution to inhibit or kill the growth of bacteria and fungi.



ESOMVR10WH-TP



REAR VIEW

T/P  
 ESOM2R  
 ESOM2R  
 ESOM2R1  
 ESOM2RC  
 ESOMHR  
 ESOMHR1  
 ESOMVR

## TECHNICAL DATA

<b>PARTNUMBER</b>	ESOMVR10-TP / ESOMVR30-TP	<b>MAX TRIPPING CURRENT</b>	10mA or 30mA
<b>DESCRIPTION</b>	RCD 230-240Va.c. 20 Amp 10mA or 30mA with torx head security screw fixed cover	<b>RCD TYPE</b>	10mA - Type I / 30mA - Type II
<b>ORIENTATION</b>	Ver tical	<b>WITHSTAND RATING</b>	3KA Circuit Protection by MCB or HRC Fuse 20A max
<b>SUPPLY VOLTAGE</b>	230-240Va.c.	<b>COLOUR</b>	White (WH), Red (RD), Dark Blue (DB)
<b>FREQUENCY</b>	50Hz	<b>MOUNTING CENTRES</b>	84mm
<b>POLES DESCRIPTION</b>	Double Pole	<b>COMPLIANCE</b>	AS/NZS 3190, AS/NZS 3003, ISO 22196
<b>MAX CURRENT</b>	20A		



AUSTRALIA  
 89 Egerton St (Cnr Fariola & Egerton)  
 PO Box 6193, Silverwater  
 NSW 2128 AUSTRALIA

T 1300 879 363 F 1300 879 364  
 customer.service@escoindustries.com.au  
 www.escoindustries.com.au

NEW ZEALAND  
 Unit 11/273 Neilson St, Onehunga  
 AUCKLAND 1061 NEW ZEALAND

D +64 9 526 1880 Freecall 0800 663 367  
 customer.service@escoindustries.co.nz  
 www.escoindustries.co.nz