

DATA SHEET

PART NUMBER

ESOMHR10-TP / ESOMHR30-TP

MODEL DESCRIPTION

Residual Current Device (RCD) 230-240Va.c. 20 Amp 10mA or 30mA with torx head security screw fixed cover

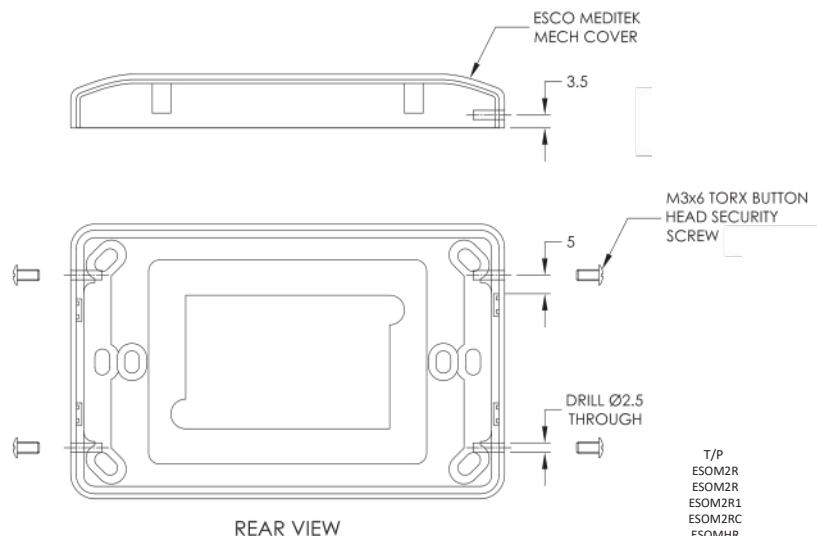


ANTIMICROBIAL RESILIENCE

Manufactured with an antimicrobial additive which has been independently tested by an accredited laboratory to ISO 22196 as being an effective antibacterial solution to inhibit or kill the growth of bacteria and fungi.



ESOMHR10WH-TP



REAR VIEW

TECHNICAL DATA

PARTNUMBER	ESOMHR10-TP / ESOMHR30-TP
DESCRIPTION	RCD 230-240Va.c. 20 Amp 10mA or 30mA with torx head security screw fixed cover
ORIENTATION	Horizontal
SUPPLY VOLTAGE	230-240Va.c.
FREQUENCY	50Hz
POLES DESCRIPTION	Double Pole
MAX CURRENT	20A

MAX TRIPPING CURRENT	10mA or 30mA
RCD TYPE	10mA - Type I / 30mA - Type II
WITHSTAND RATING	3KA Circuit Protection by MCB or HRC Fuse 20A max
COLOUR	Universal - White (WH), Red (RD), Dark Blue (DB)
MOUNTING CENTRES	84mm
COMPLIANCE	AS/NZS 3190, AS/NZS 3003, ISO 22196



AUSTRALIA
89 Egerton St (Cnr Fariola & Egerton)
PO Box 6193, Silverwater
NSW 2128 AUSTRALIA

T 1300 879 363 F 1300 879 364
customer.service@escoindustries.com.au
www.escoindustries.com.au

NEW ZEALAND
Unit 11/273 Neilson St, Onehunga
AUCKLAND 1061 NEW ZEALAND

D +64 9 526 1880 Freecall 0800 663 367
customer.service@escoindustries.co.nz
www.escoindustries.co.nz