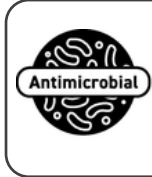


PART NUMBER

ESOM2RC10BE-TP

MODEL DESCRIPTION

Socket Outlets Switched 10 Amp 250Va.c. with Residual Current Device (RCD) 230-240Va.c. 20 Amp Type 1 10mA, marked "CLEANING PURPOSES ONLY" with torx head security screw fixed cover

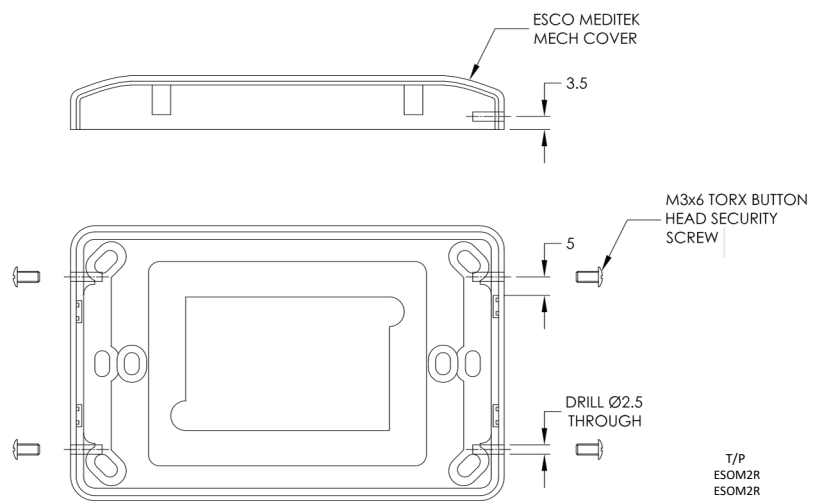


ANTIMICROBIAL RESILIENCE

Manufactured with an antimicrobial additive which has been independently tested by an accredited laboratory to ISO 22196 as being an effective antibacterial solution to inhibit or kill the growth of bacteria and fungi.



ESOM2RC10BE-TP



REAR VIEW

TECHNICAL DATA

PARTNUMBER	ESOM2RC10BE-TP
DESCRIPTION	Socket Outlets Switched 10 Amp 250Va.c. with RCD 230-240Va.c. 20 Amp Type 1 10mA, marked "CLEANING PURPOSES ONLY" with torx head security screw fixed cover
ORIENTATION	Horizontal
SUPPLY VOLTAGE	RCD - 230-240Va.c. / Socket Outlets - 250Va.c.
FREQUENCY	RCD - 50Hz
POLES DESCRIPTION	RCD - Double Pole / Socket Outlets - Single Pole
MAXIMUM CURRENT	RCD - 20A / Socket Outlets - 10A

MAXIMUM TRIPPING CURRENT	RCD - 10mA
RCD TYPE	Type I RCD
WITHSTAND RATING	3KA Circuit Protection by MCB or HRC Fuse 20A max
COLOUR	Beige (BE) (cleaning purposes only)
MOUNTING CENTRES	84mm
COMPLIANCE	AS/NZS 3190, AS/NZS 3003, AS/NZS 3112, ISO 22196



AUSTRALIA
89 Egerton St (Cnr Fariola & Egerton)
PO Box 6193, Silverwater
NSW 2128 AUSTRALIA

T 1300 879 363 F 1300 879 364
customer.service@escoindustries.com.au
www.escoindustries.com.au

NEW ZEALAND
Unit 11/273 Neilson St, Onehunga
AUCKLAND 1061 NEW ZEALAND

D +64 9 526 1880 Freecall 0800 663 367
customer.service@escoindustries.co.nz
www.escoindustries.co.nz