

esco
medicon

Max 180

**Medical Services Panel Assemblies
Surface Mounted Ducting**



esco
industries

Contents

Max180 Profiles	4
Max180 Assembly	5
Max180 Installation	6
Technical Drawings - Risers	7
Technical Drawings - External Corners	8
Technical Drawings - Internal Corners	9
Max180 Standard Parts	10
Duct Body, Cover & End Caps	10
Accessories - Risers, Internal & External Corner	10
Accessory Kit (Esco) - Vertical (75 & 100mm centres).....	11
Accessory Kit (Esco) - Horizontal (125mm centres).....	11
Accessory Kit (C2000) - Vertical (75 + 100mm centres).....	12
Gas Provision Kit (Esco - Aus Std - 100mm centres)	13
Gas Provision Kit (Esco - HTM Std - 135mm centres)	13

Max 180

Medical Services Panel Surface Mounted Ducting

The Max180 horizontal multi service outlet system perfectly combines elegance with capacity, by offering a profile that caters for the multitude of services required in medical environments.

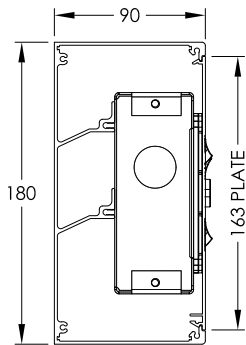
Standard features

- Aluminium Extruded Duct Body and Front Plate
- Supplied Powder Coated (your choice from Dulux range)
- Front Plate screw fixed for added security
- Capacity for multitude of services
- Can be supplied cut to size, assembled and pre-wired, or supplied in parts for on site assembly

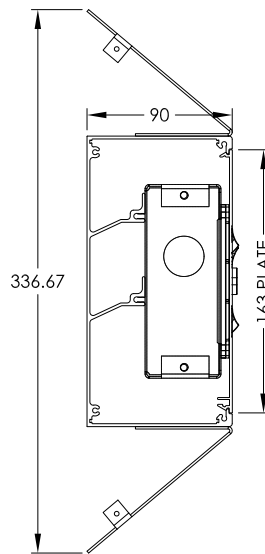


- Complete range of corners and risers
- Compatible with both the Esco B Series and Meditek components
- 3 channel Aluminium Extruded Duct Body
- Full service segregation

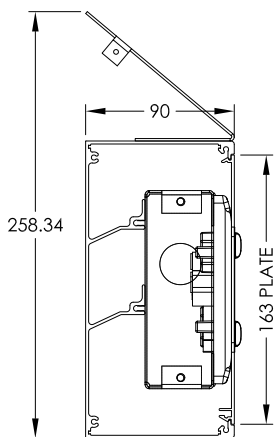
Max180 Profiles



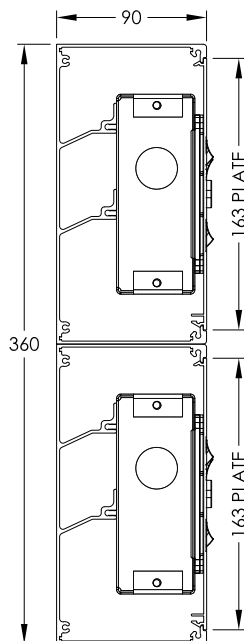
Basic



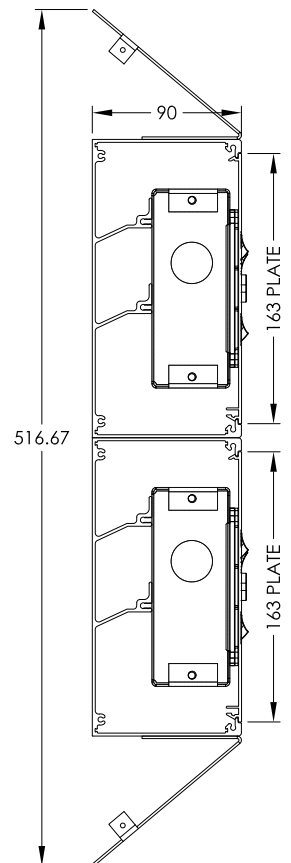
Double Fairing



Single Fairing



Double Basic



Double with Double Fairing

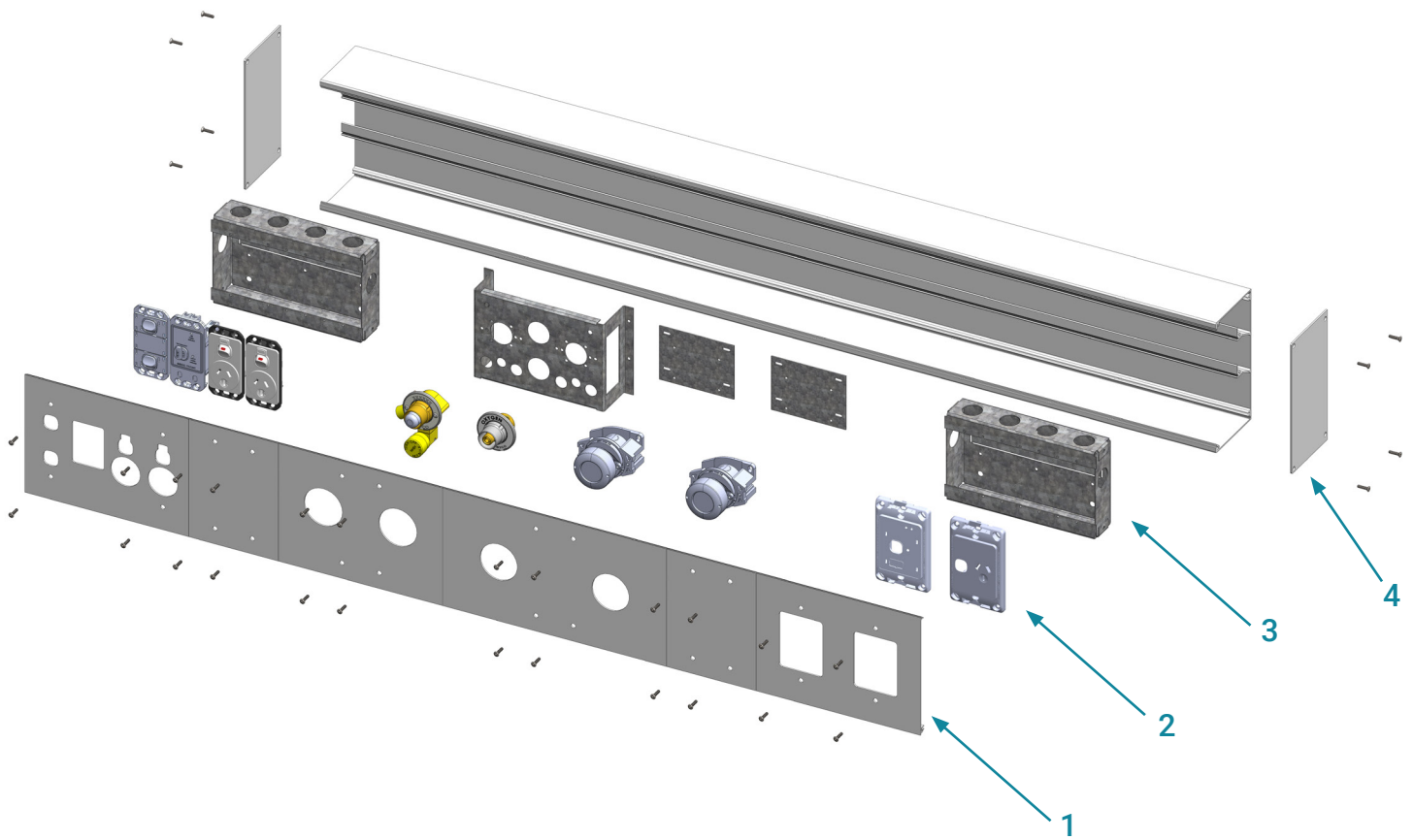
Segregation

Due to the modular design, metal equipment boxes can be positioned anywhere along the length of the powder coated extruded aluminium duct body providing segregation between power, data and medical gas service outlets. The supply cable and pipes passing behind, above or below the equipment boxes maintains segregation at all times.

Component Mounting

All components are mounted on metal equipment boxes/brackets which are then screw fixed into the aluminium duct body. These mounting boxes are easily mounted anywhere along the length of the duct body and can be quickly removed for maintenance or future additions.

Max180 Assembly



1

Requires only one readily removable face plate to cover a group of similar outlets (e.g. Power, Data, Medical Gas). This face plate can be removed without compromising the physical segregation of adjoining services. The face plates are supplied powder coated in desired colour.

2

Max180 Duct solution come completely loaded and pre-wired with all the required Esco electrical components as well as the provision to mount our market leading range of Esco medical gas terminal units, as well as data outlets, nurse call and other products.

3

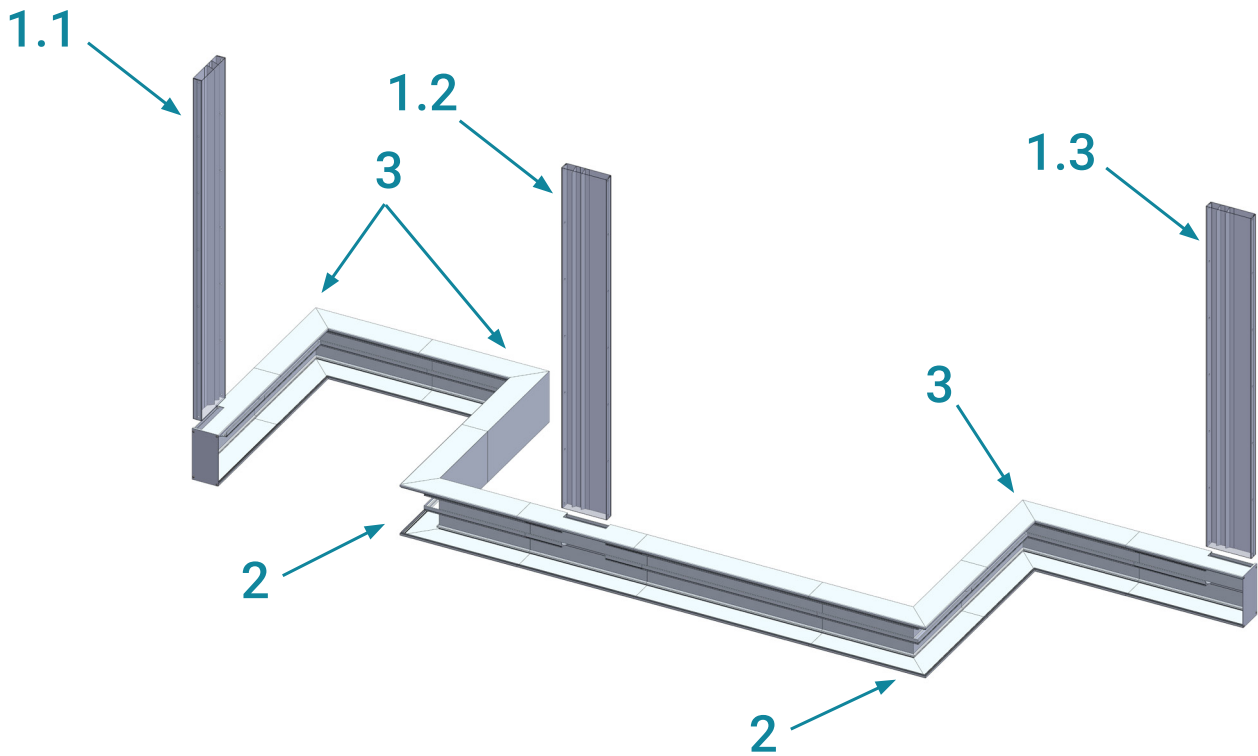
All of the service outlets are fixed to either metal boxes, or metal grids/brackets for medical gas. These boxes and brackets are designed specifically around the component to ensure a level finish across the length of the medical services panel.

4

Powder Coated Aluminium Duct Body is fixed to the wall and comes complete with end caps when required.

Max180 Installation

The Max180 solution offers flexibility at installation by providing a range of risers and corners to cater for varied room layouts and services pathways.



1. Risers are available in three configurations to cater for multiple service pathway requirements: Left feed (1.1), Centre feed (1.2) and Right feed (1.3). *Risers are available in the following profiles - Basic*

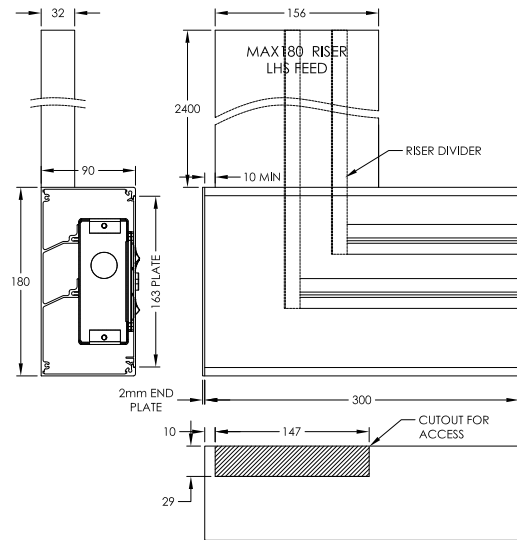
2. External Corners allow you to navigate around any room interferences without compromising your services pathway. *External corners are available in the following profiles - Basic, Single Fairing, Double Fairing*

3. Internal Corners, like External Corners, allow you to not only navigate around interference, but navigate around a room where continuation of services is important. *Internal corners are available in the following profiles - Basic, Single Fairing, Double Fairing*

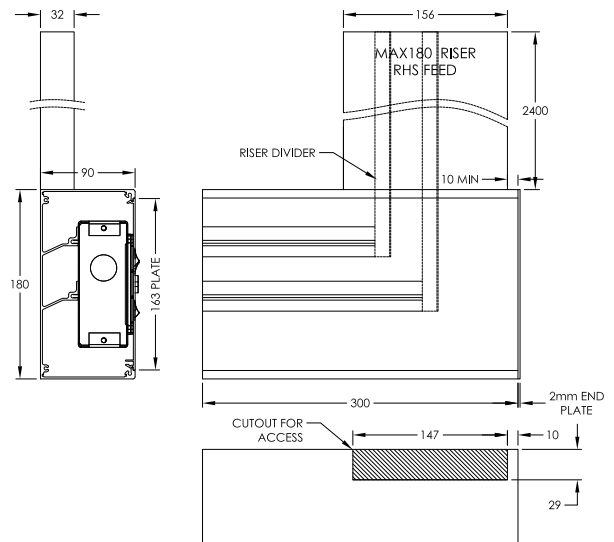
Technical Drawing - Risers

Risers come standard as a kit including a duct piece, 2.4m riser, covers all powder coated Pearl White (other colours available on request)

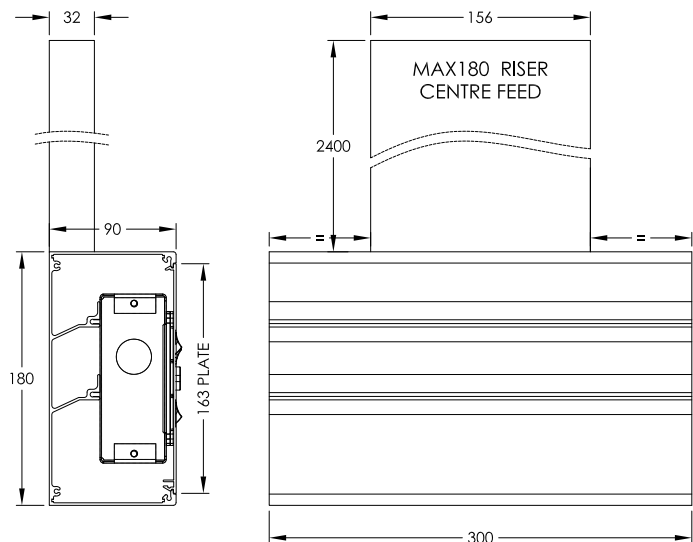
LEFT FEED - M18RLHS2.4-PW



RIGHT FEED - M18RRHS2.4-PW



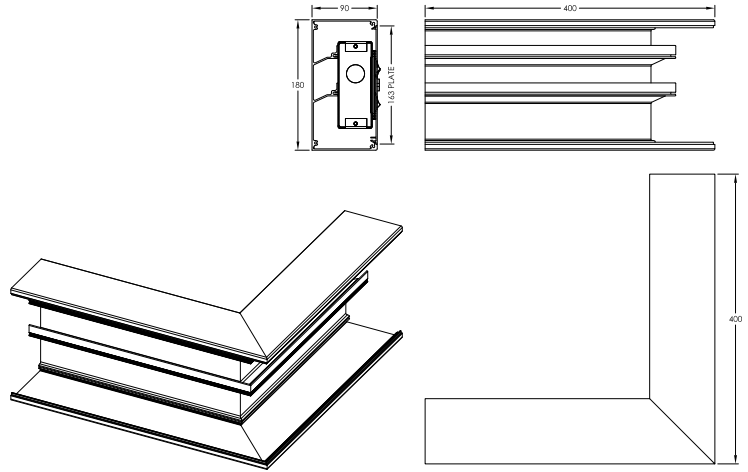
CENTRE FEED - M18RCTR2.4-PW



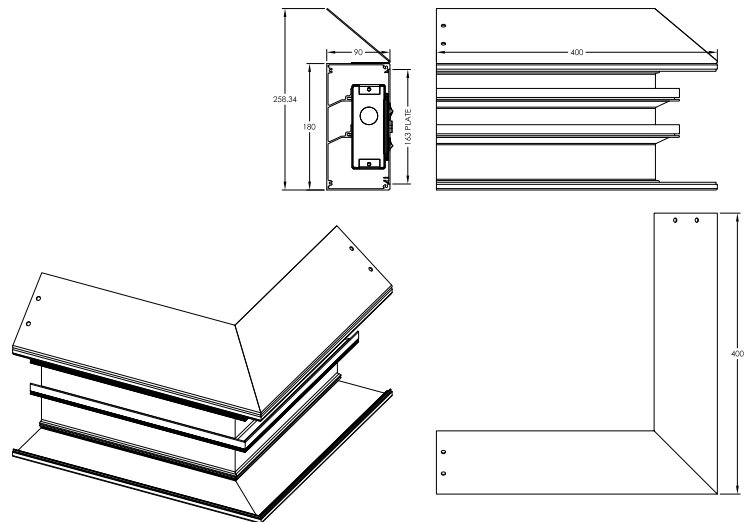
Technical Drawing - External Corners

External Corners come standard as a kit including the duct piece, covers, both powder coated Pearl White (other colours available on request)

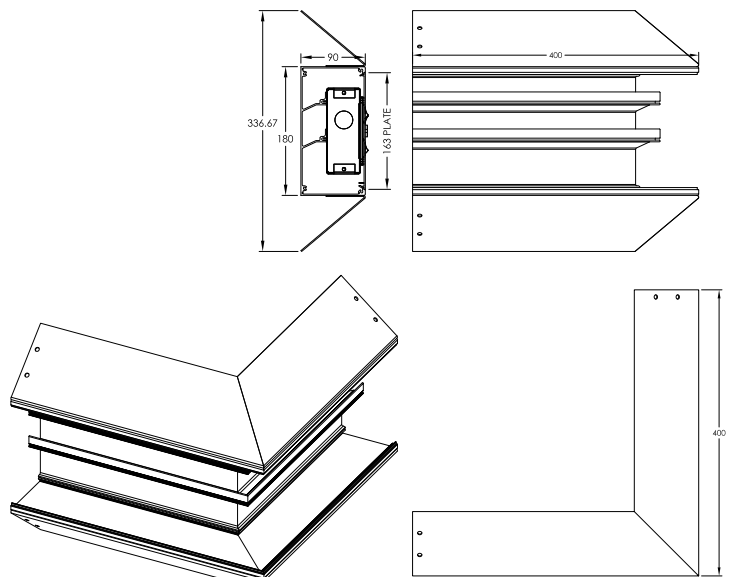
BASIC - M18ECNR-PW



SINGLE FAIRING - M18ECNRTF-PW



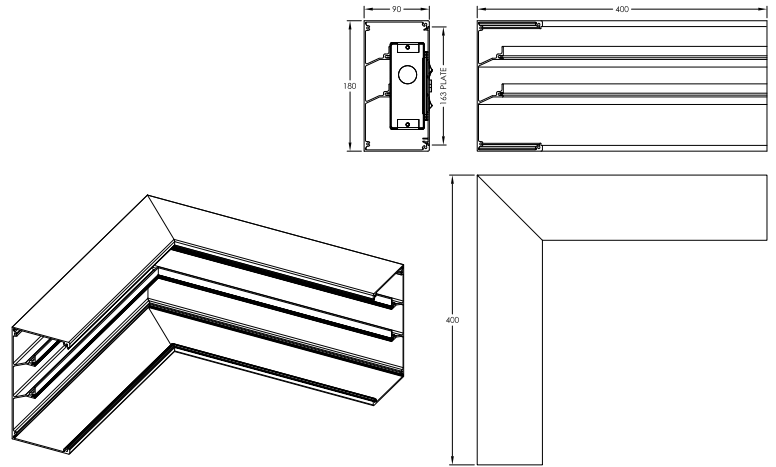
DOUBLE FAIRING - M18ECNRTBF-PW



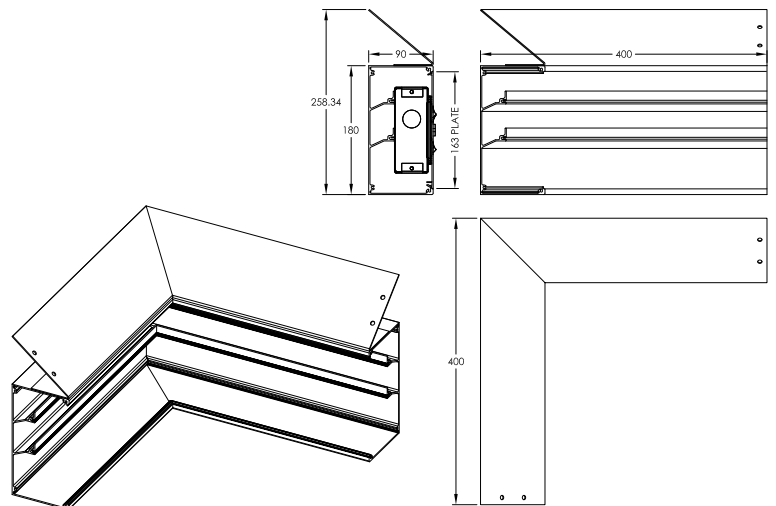
Technical Drawing - Internal Corners

Internal Corners come standard as a kit including the duct piece, covers, both powder coated Pearl White (other colours available on request)

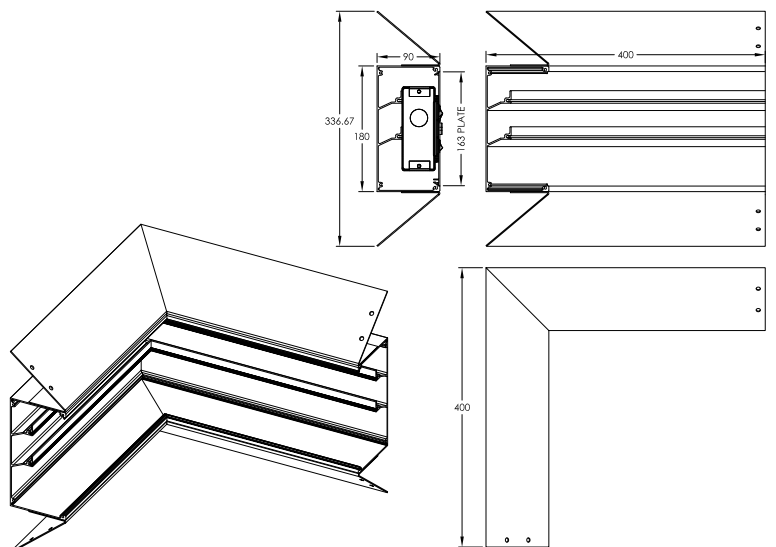
BASIC - M18ICNR-PW



SINGLE FAIRING - M18ICNRTF-PW



DOUBLE FAIRING - M18ICNRTBF-PW



Max180 Standards Parts

Max180 can also be supplied in parts for on-site cutting, assembly, wiring, and installation if required. See range of standard parts below:

Duct Body, Cover & End Caps

DUCT BODY	PROFILE		
	BASIC	SINGLE FAIRING	DOUBLE FAIRING
1.2m	M18DB1.2-PW	N/A	N/A
2.4m	M18DB2.4-PW	M18DBTF2.4-PW	M18DBTBF2.4-PW

COVER	PROFILE		
	BASIC	SINGLE FAIRING	DOUBLE FAIRING
0.6m	M18C0.6-PW	M18C0.6-PW	M18C0.6-PW
1.2m	M18C1.2-PW	M18C1.2-PW	M18C1.2-PW

END CAPS	PROFILE		
	BASIC	SINGLE FAIRING	DOUBLE FAIRING
End Caps	M18EC-PW	M18ECTF-PW	M18ECTBF-PW

Accessories

RISER	PROFILE		
	BASIC	SINGLE FAIRING	DOUBLE FAIRING
CENTRE FEED	M18RCTR2.4-PW	N/A	N/A
LEFT FEED	M18RLHS2.4-PW	N/A	N/A
RIGHT FEED	M18RRHS2.4-PW	N/A	N/A

DESCRIPTION	PROFILE		
	BASIC	SINGLE FAIRING	DOUBLE FAIRING
INTERNAL CORNER	M18ICNR-PW	M18ICNRTF-PW	M18ICNRTBF-PW
EXTERNAL CORNER	M18ECNR-PW	M18ECNRTF-PW	M18ECNRTBF-PW

Standard parts are powder coated Pearl White (PW). Other colours are available upon request.

Accessory Kit (Esco) - Vertical (75 & 100mm centres)

ACCESSORY KIT (ESCO)	PROFILE UNIVERSAL – BASIC / SINGLE FAIRING / DOUBLE FAIRING
VERTICAL - 1G (75mm Centres)	M18MAK1V7-PW
VERTICAL - 2G (75mm Centres)	M18MAK2V7-PW
VERTICAL - 3G (75mm Centres)	M18MAK3V7-PW
VERTICAL - 4G (75mm Centres)	M18MAK4V7-PW
VERTICAL - 5G (75mm Centres)	M18MAK5V7-PW
VERTICAL - 6G (75mm Centres)	M18MAK6V7-PW

ACCESSORY KIT (ESCO)	PROFILE UNIVERSAL – BASIC / SINGLE FAIRING / DOUBLE FAIRING
VERTICAL - 1G (100mm Centres)	M18MAK1V1-PW
VERTICAL - 2G (100mm Centres)	M18MAK2V1-PW
VERTICAL - 3G (100mm Centres)	M18MAK3V1-PW
VERTICAL - 4G (100mm Centres)	M18MAK4V1-PW
VERTICAL - 5G (100mm Centres)	M18MAK5V1-PW
VERTICAL - 6G (100mm Centres)	M18MAK6V1-PW

Accessory Kit (Esco) - Horizontal (125mm centres)

ACCESSORY KIT (Esco)	PROFILE UNIVERSAL – BASIC / SINGLE FAIRING / DOUBLE FAIRING
HORIZONTAL - 1G (125mm Centres)	M18MAK1H150-PW
HORIZONTAL - 2G (125mm Centres)	M18MAK2H250-PW
HORIZONTAL - 3G (125mm Centres)	M18MAK3H400-PW
HORIZONTAL - 4G (125mm Centres)	M18MAK4H500-PW

Accessory Kit (C2000) - Vertical (75 or 100mm centres)

ACCESSORY KIT (C2000)	PROFILE UNIVERSAL – BASIC / SINGLE FAIRING / DOUBLE FAIRING
VERTICAL - 1G (75mm Centres)	M18CAK7V1-PW
VERTICAL - 2G (75mm Centres)	M18CAK7V2-PW
VERTICAL - 3G (75mm Centres)	M18CAK7V3-PW

ACCESSORY KIT (C2000)	PROFILE UNIVERSAL – BASIC / SINGLE FAIRING / DOUBLE FAIRING
VERTICAL - 1G (100mm Centres)	M18CAK1V1-PW
VERTICAL - 2G (100mm Centres)	M18CAK1V2-PW
VERTICAL - 3G (100mm Centres)	M18CAK1V3-PW

Gas Provision Kit (Esco - AUS Std - 100mm centres)

GAS PROVISION KIT (ESCO - AUS STD)	UNIVERSAL – BASIC / SINGLE FAIRING / DOUBLE FAIRING
1G (100mm Centres)	M18EG1AS100-PW
2G (100mm Centres)	M18EG2AS100-PW
3G (100mm Centres)	M18EG3AS100-PW
4G (100mm Centres)	M18EG4AS100-PW
5G (100mm Centres)	M18EG5AS100-PW
6G (100mm Centres)	M18EG6AS100-PW
7G (100mm Centres)	M18EG7AS100-PW

Gas Provision Kit (Esco - HTM Std - 135 or 150mm centres)

GAS PROVISION KIT (ESCO - AUS STD)	UNIVERSAL – BASIC / SINGLE FAIRING / DOUBLE FAIRING
1G (135mm Centres)	M18EG1BS135-PW
2G (135mm Centres)	M18EG2BS135-PW
3G (135mm Centres)	M18EG3BS135-PW
4G (135mm Centres)	M18EG4BS135-PW
5G (135mm Centres)	M18EG5BS135-PW
6G (135mm Centres)	M18EG6BS135-PW
7G (135mm Centres)	M18EG7BS135-PW

GAS PROVISION KIT (ESCO - AUS STD)	UNIVERSAL – BASIC / SINGLE FAIRING / DOUBLE FAIRING
1G (150mm Centres)	M18EG1BS150-PW
2G (150mm Centres)	M18EG2BS150-PW
3G (150mm Centres)	M18EG3BS150-PW
4G (150mm Centres)	M18EG4BS150-PW
5G (150mm Centres)	M18EG5BS150-PW
6G (150mm Centres)	M18EG6BS150-PW
7G (150mm Centres)	M18EG7BS150-PW

Standard parts are powder coated Pearl White (PW). Other colours are available upon request.

esco industries

AUSTRALIA

89 Egerton Street
(Cnr Fariola & Egerton)
Silverwater, NSW 2128, Australia
T: 1300 879 363
F: 1300 879 364

customer.service@escoindustries.com.au

www.escoindustries.com.au

NEW ZEALAND

Unit 11/273 Neilson St, Onehunga
Auckland 1061, New Zealand
D: +64 9 526 1880
Freecall: 0800 663 367

customer.service@escoindustries.co.nz

www.escoindustries.co.nz

THE ESCO GROUP OF COMPANIES

esco
industries

MASBP
MediTek

All products and information listed are accurate as of 10 April 2025.