

# Medical Gas Isolation Valve Boxes



# Medical Gas Isolation Valve Boxes

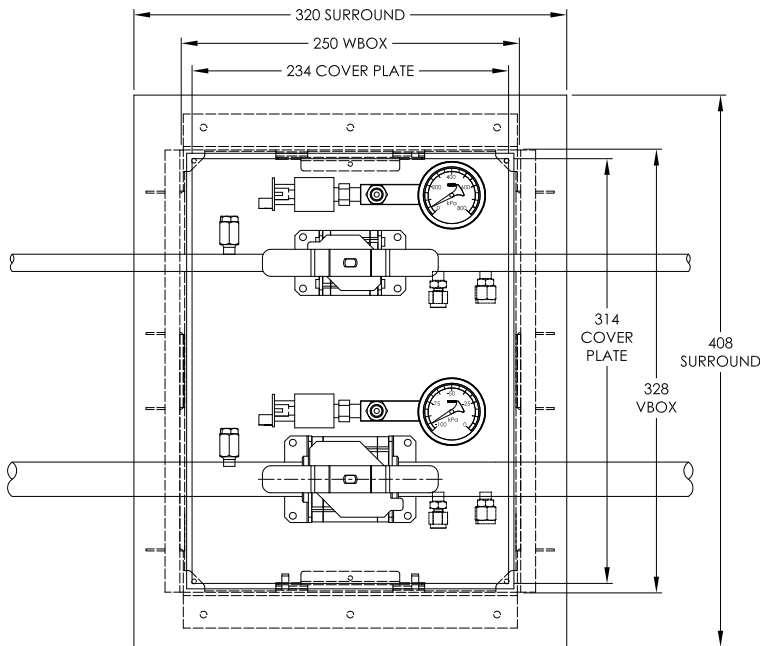
Esco Industries Medical Gas Isolation Valve Boxes are ideal for all medical applications. Our assemblies are designed to allow for gas sampling, purging, emergency supply connection, shut-off & testing. Designed to meet and exceed the strictest Australian standards, our valve boxes can be configured to meet site requirements.

## Standard features include;

- Recessed unit with Front Surround (adjustable to suit varying wall surface thickness)
- Clear, pull-out polycarbonate access window with gas type & valve handle orientation easily determined at a distance
- Up to six (6) valves can be accommodated in a single unit available in 15mm, 20mm, 25mm, 32mm, 40mm & 50mm valves
- All valves are factory pressure tested
- Comes supplied with:
  - Pressure gauge
  - Pressure switch
  - 3-way isolation/bleed valve
  - Circuit monitoring board
  - Calibration gauge take-off
  - Gas sample take-off
  - Gas Type Identification Label
  - Emergency NIST on all nominated positive pressure valves
- Standard surround is finished in Dulux Duralloy powdercoat - Surf Mist

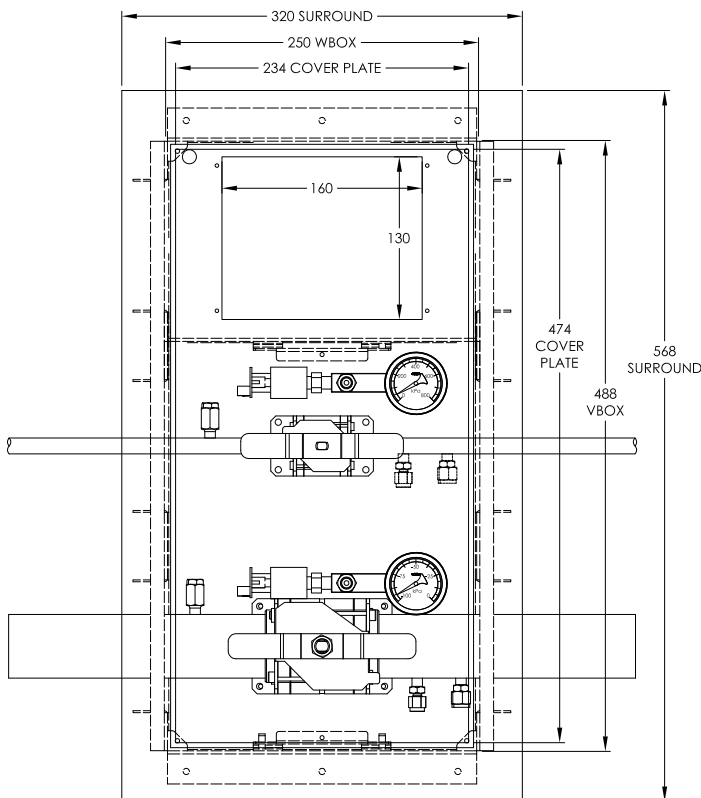


## Dimensions



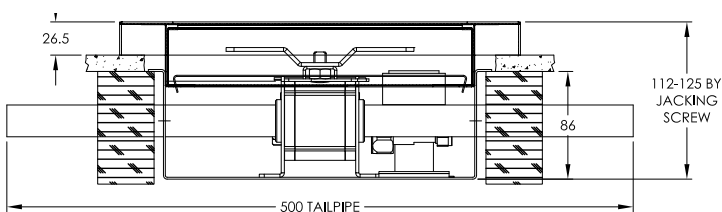
**Recessed Medical Gas Isolation Valve Box**

NO OF GANGS	COVER PLATE	VBOX	SURROUND
1	154 x 234	168 x 250	248 x 320
2	314 x 234	328 x 250	408 x 320
3	474 x 234	488 x 250	568 x 320
4	634 x 234	648 x 250	728 x 320
5	794 x 234	808 x 250	888 x 320
6	954 x 234	968 x 250	1048 x 320



**With Provision for Esco Gas Alarm Panel**

NO OF GANGS	COVER PLATE	VBOX	SURROUND
1	314 x 234	328 x 250	408 x 320
2	474 x 234	488 x 250	568 x 320
3	634 x 234	648 x 250	728 x 320
4	794 x 234	808 x 250	888 x 320
5	954 x 234	968 x 250	1048 x 320
6	1114 x 234	1128 x 250	1208 x 320



The line diagram to the left sets out the relevant depth dimensions.

### Variations to the standard Medical Gas Isolation Valve Boxes

Esco can accommodate many variations within the design scope of our valve boxes, which can include:

- Non-Medical Units for applications such as Laboratories
- Integrated Gas Alarm Panel Provision
- Stainless Steel Valves and Tails
- Surface Mounted (fully enclosed – includes riser duct to ceiling or floor)
- Surface Mounting Surround - exposed piping
- Take-off for Suction Collection Jar
- Hinged lockable door with or without see-through window for high risk/secure areas
- Slotted window for ventilation
- Other surround colour options available

If you need anything that is not listed here, please feel free to contact ESCO Customer Service to find out if it can be accommodated.

# Related Products



Medical Gas Outlets



Medical Gas Alarm Panels



Medical Services Panels



Medical Gas Hose Assemblies & Fittings

To find out more about any of these products click the image above or visit [www.escoindustries.com.au](http://www.escoindustries.com.au) for our full product range.

# esco industries

## HEAD OFFICE

89 Egerton Street  
(Cnr Fariola & Egerton)  
Silverwater, NSW 2128, Australia  
T: 1300 879 363  
F: 1300 879 364

[customer.service@escoindustries.com.au](mailto:customer.service@escoindustries.com.au)

[www.escoindustries.com.au](http://www.escoindustries.com.au)

## MODEMPAK NZ

Unit 11/273 Neilson St, Onehunga  
Auckland 1061, New Zealand  
D: +64 9 526 1880  
Freecall: 0800 663 367

[customer.service@modempak.co.nz](mailto:customer.service@modempak.co.nz)

[www.modempak.co.nz](http://www.modempak.co.nz)

## THE ESCO GROUP OF COMPANIES

esco industries MASBP MediTek modempak

All products and information listed are accurate as of 17 May 2024.