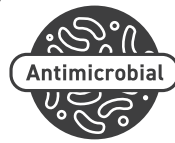


## PART NUMBER

**CNL1WH**

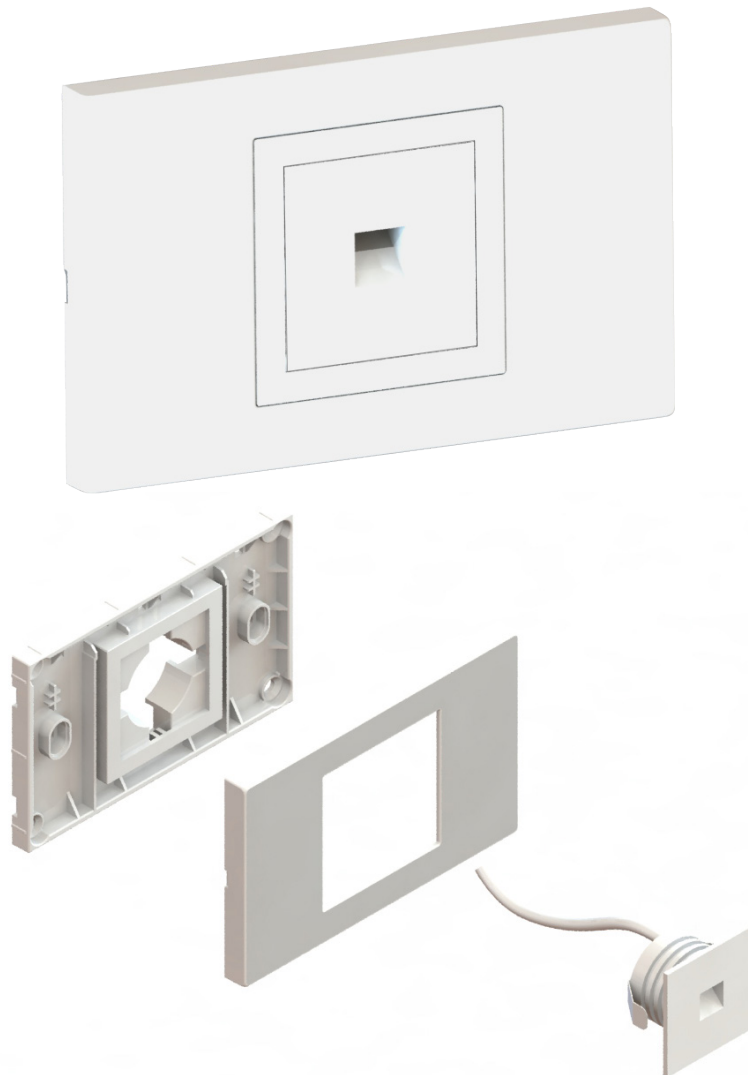
## MODEL DESCRIPTION

Night Light, 1 Gang, White



### ANTIMICROBIAL RESILIENCE

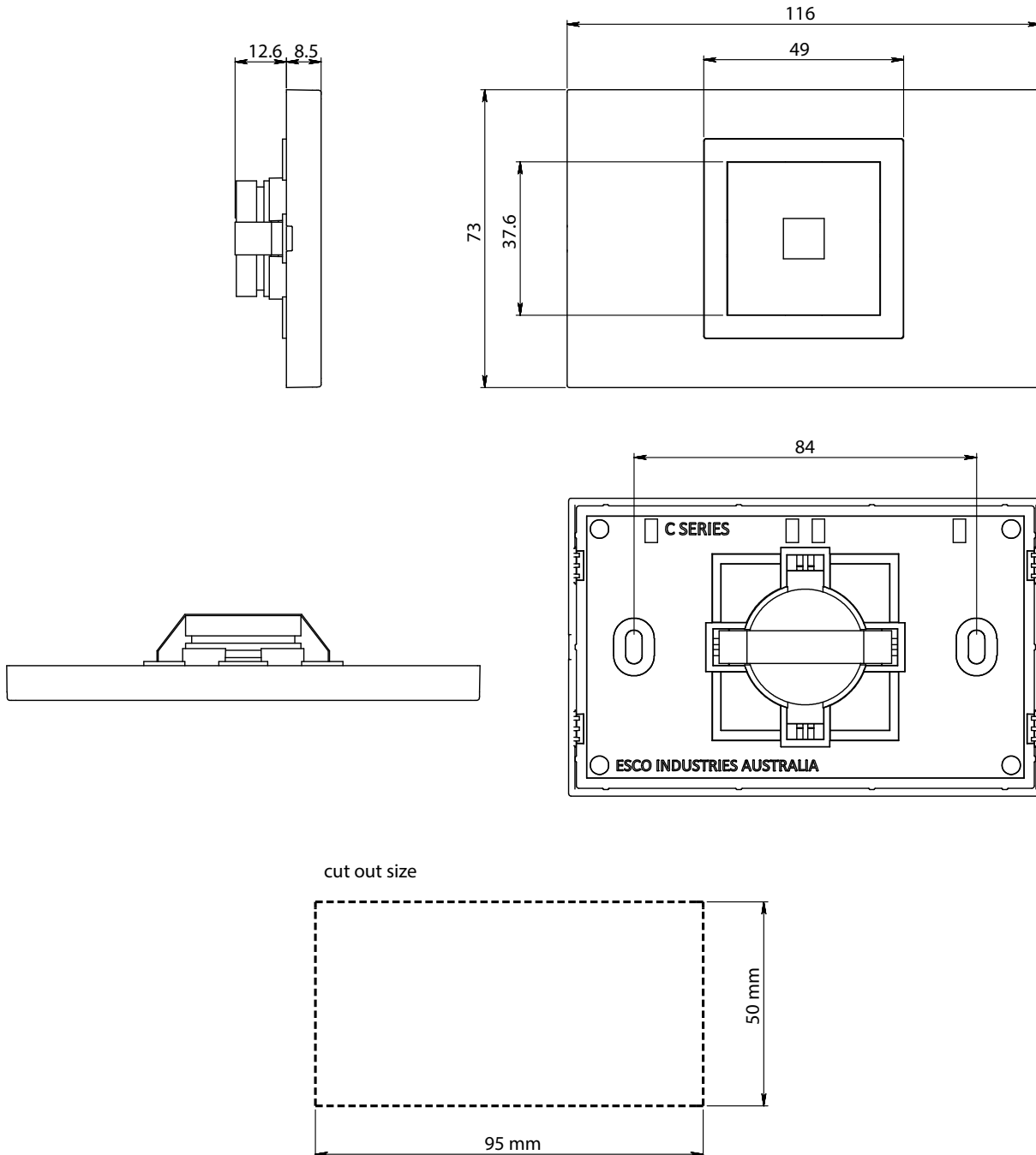
The Comfort Series is manufactured with an antimicrobial additive which has been independently tested by an accredited laboratory to ISO 22196 as being an effective antibacterial solution to inhibit or kill the growth of bacteria and fungi.



## TECHNICAL DATA

<b>PART NUMBER</b>	CNL1WH
<b>DESCRIPTION</b>	Night Light,1G,WH
<b>SUPPLY VOLTAGE</b>	220-240Va.c, 50/60Hz
<b>CURRENT RATING</b>	2W
<b>COLOUR</b>	White
<b>LAMP COLOUR</b>	4000k
<b>MOUNTING CENTRE</b>	84mm
<b>PLATE SIZE</b>	Standard
<b>COMPLIANCE</b>	AS 61347, IEC 62321, ISO 22196

## DIMENSIONS

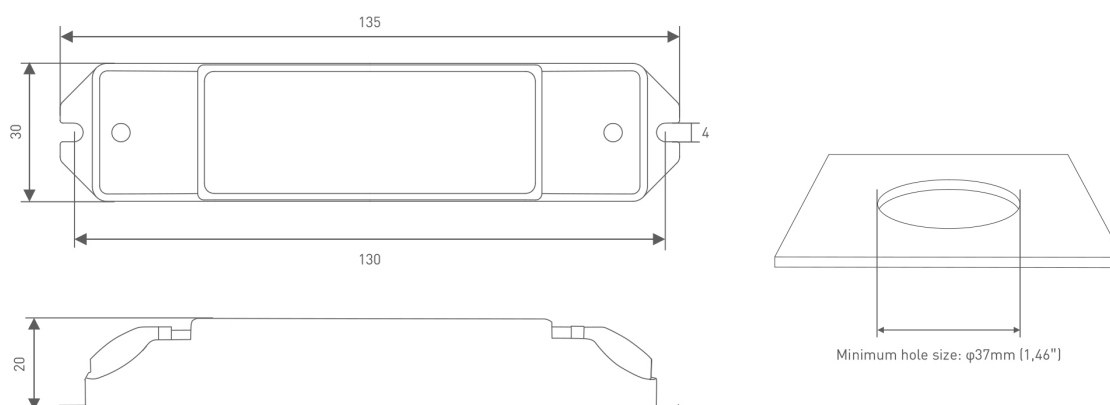
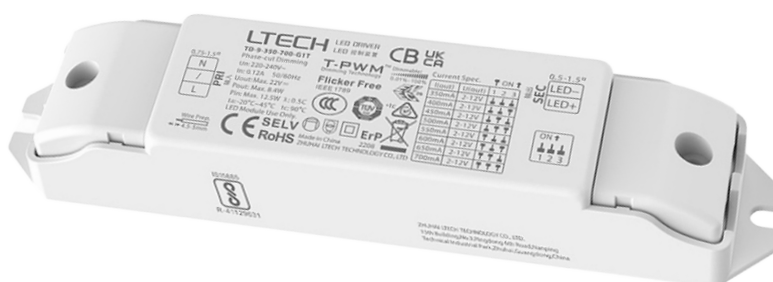


## PART NUMBER

**CNLDRV1**

## MODEL DESCRIPTION

LED Driver, Zhuhai, 220-240Vac, 50/60Hz, 100-450mA 9W



## TECHNICAL DATA

<b>PART NUMBER</b>	CNLDRV1	<b>SUPPLY VOLTAGE</b>	220-240Vac
<b>DESCRIPTION</b>	LED Driver, Zhuhai, 220-240Vac, 50/60Hz, 100-450mA 9W	<b>CURRENT RATING</b>	9W
<b>OUTPUT TYPE</b>	Constant Current	<b>COLOUR</b>	White
<b>PROTECTION GRADE</b>	IP20	<b>COMPLIANCE</b>	AS 61347.2.13:2018, AS/NZS 61347.1:2016 Inc A1

**esco**  
**industries**

**ESCO INDUSTRIES**  
 89 Egerton St (Cnr Fariola & Egerton)  
 PO Box 6193, Silverwater  
 NSW 2128 AUSTRALIA

T 1300 879 363 F 1300 879 364  
 customer.service@escoindustries.com.au  
 www.escoindustries.com.au

THE ESCO GROUP OF COMPANIES

**esco** MASRAP  
 industries **MediTek**

modempak

**MODEMPAK NZ**  
 Unit 11/273 Neilson St, Onehunga  
 AUCKLAND 1061 NEW ZEALAND

D +64 9 526 1880 **Freecall** 0800 663 367  
 customer.service@modempak.co.nz  
 www.modempak.co.nz