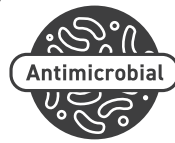


PART NUMBER

CSW1P1WH

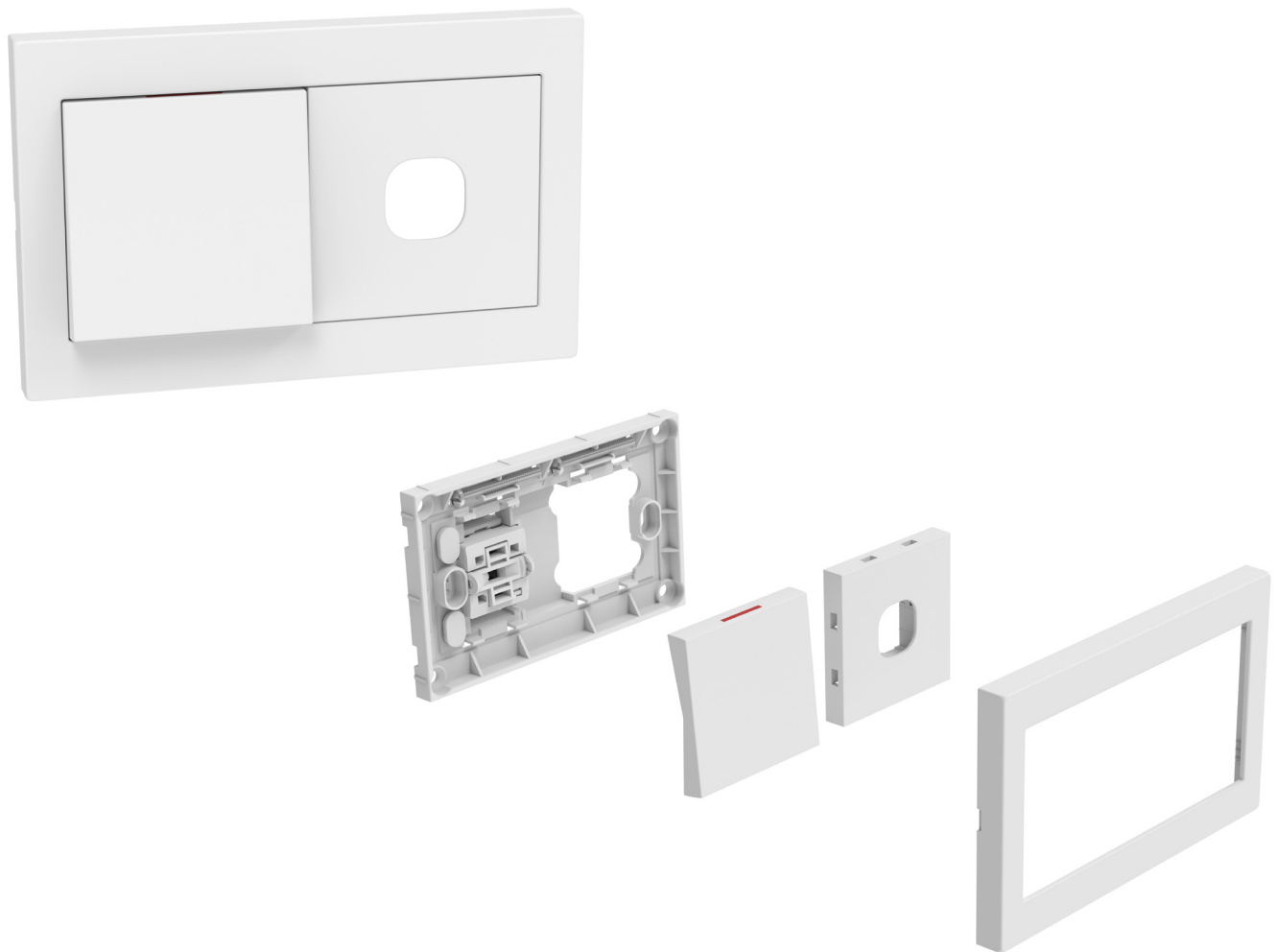
MODEL DESCRIPTION

Switch 1G, 16A, PTM Mech, White



ANTIMICROBIAL RESILIENCE

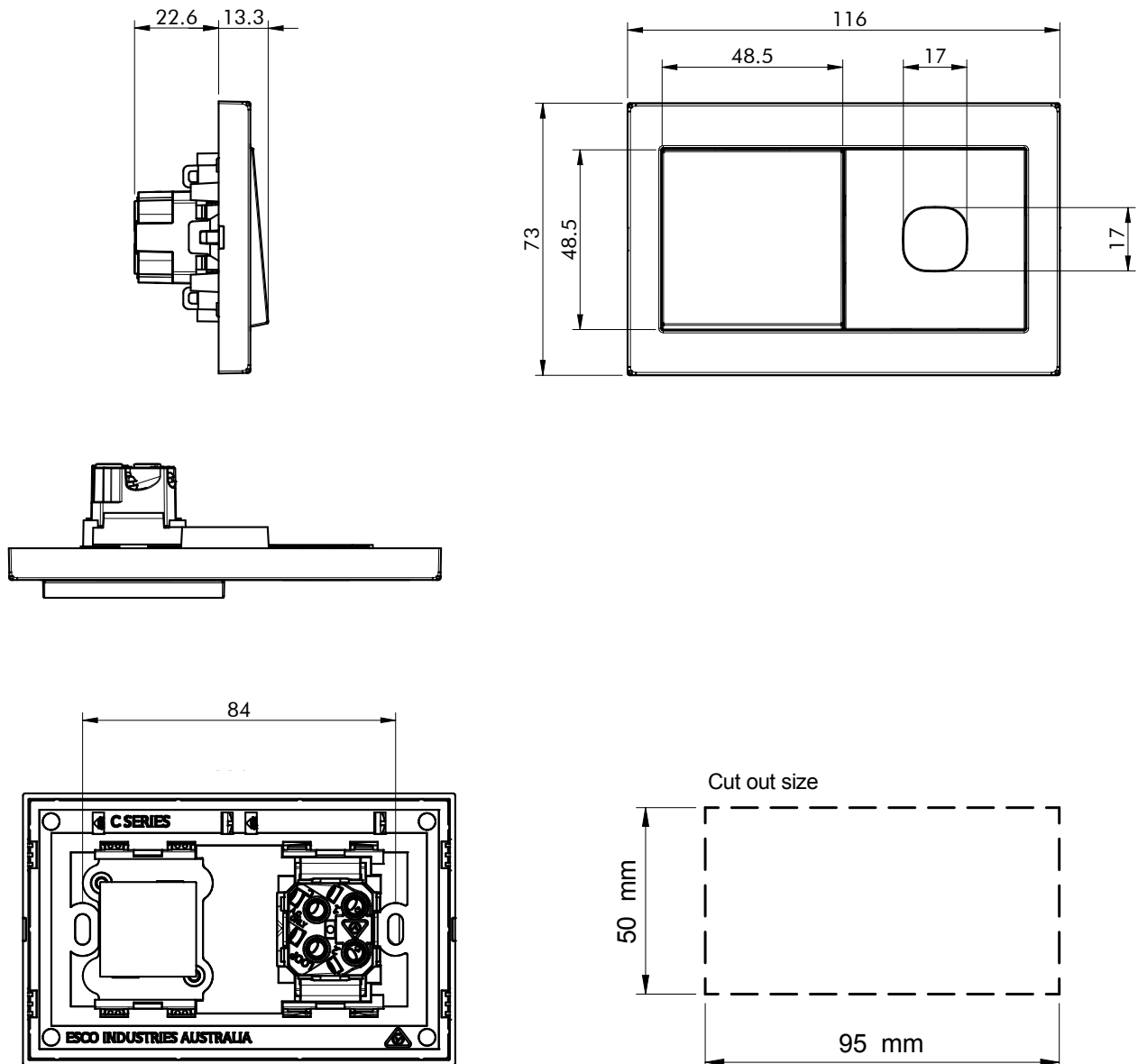
The Comfort Series is manufactured with an antimicrobial additive which has been independently tested by an accredited laboratory to ISO 22196 as being an effective antibacterial solution to inhibit or kill the growth of bacteria and fungi.



TECHNICAL DATA

PART NUMBER	CSW1P1WH
DESCRIPTION	Switch 1G, 16A, PTM Mech, White
COLOUR	White
MOUNTING CENTRE	84mm
PLATE SIZE	Standard
COMPLIANCE	N/A

DIMENSIONS



esco
industries

THE ESCO GROUP OF COMPANIES

esco industries MASRAP MediTek

modempak

ESCO INDUSTRIES

89 Egerton St (Cnr Fariola & Egerton)
PO Box 6193, Silverwater
NSW 2128 AUSTRALIA

MODEMPAK NZ

30 Fairfax Ave, Penrose
AUCKLAND 1642 NEW ZEALAND

T 1300 879 363 F 1300 879 364

customer.service@escoindustries.com.au
www.escoindustries.com.au

D +64 9 526 1880 Freecall 0800 663 367

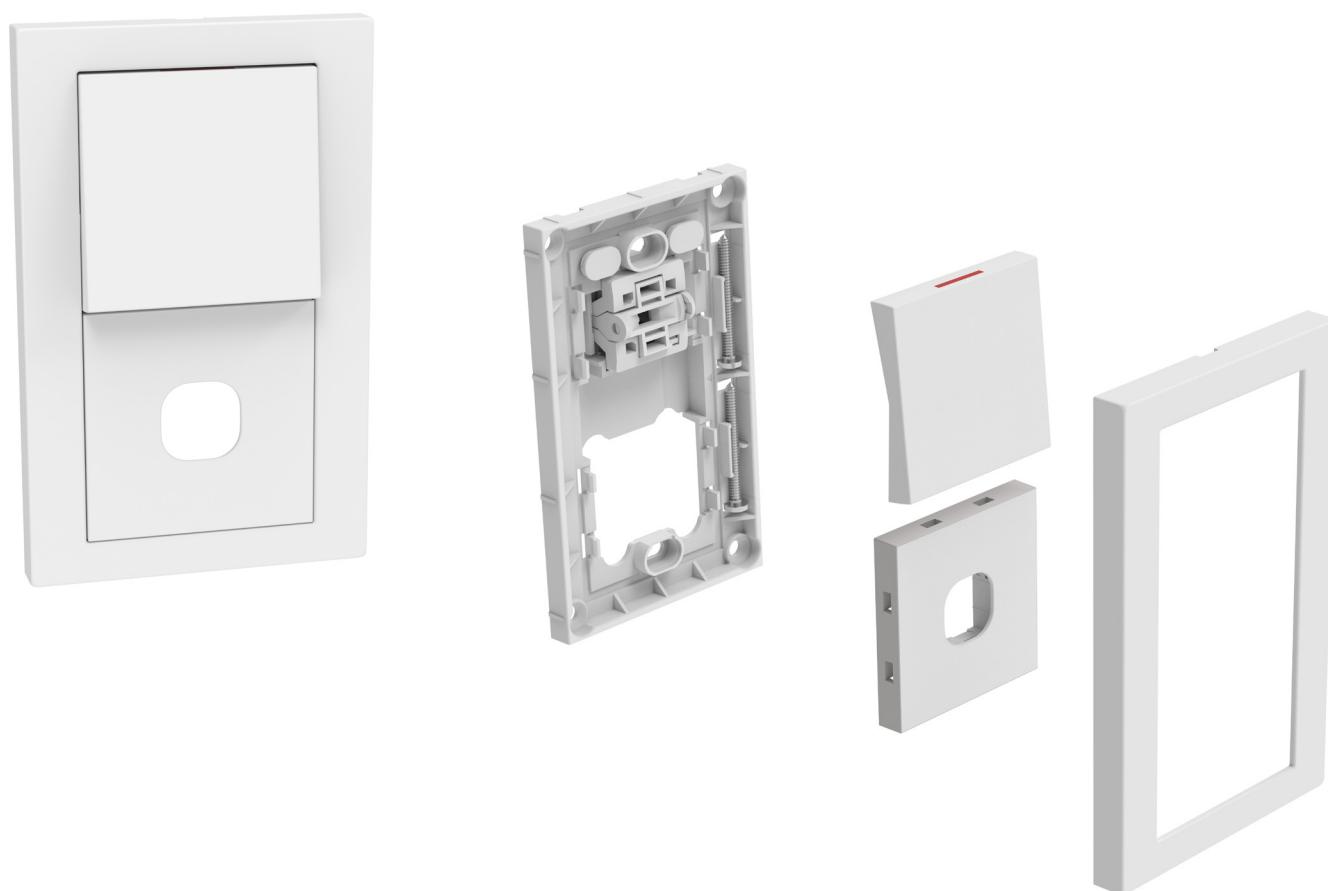
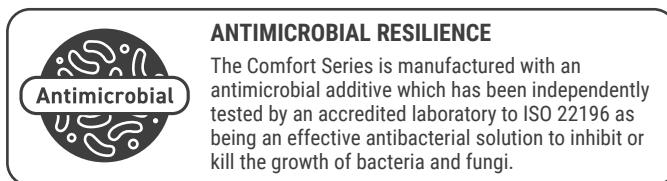
F +64 9 580 0606
customer.service@modempak.co.nz
www.modempak.co.nz

PART NUMBER

CSW1VP1WH

MODEL DESCRIPTION

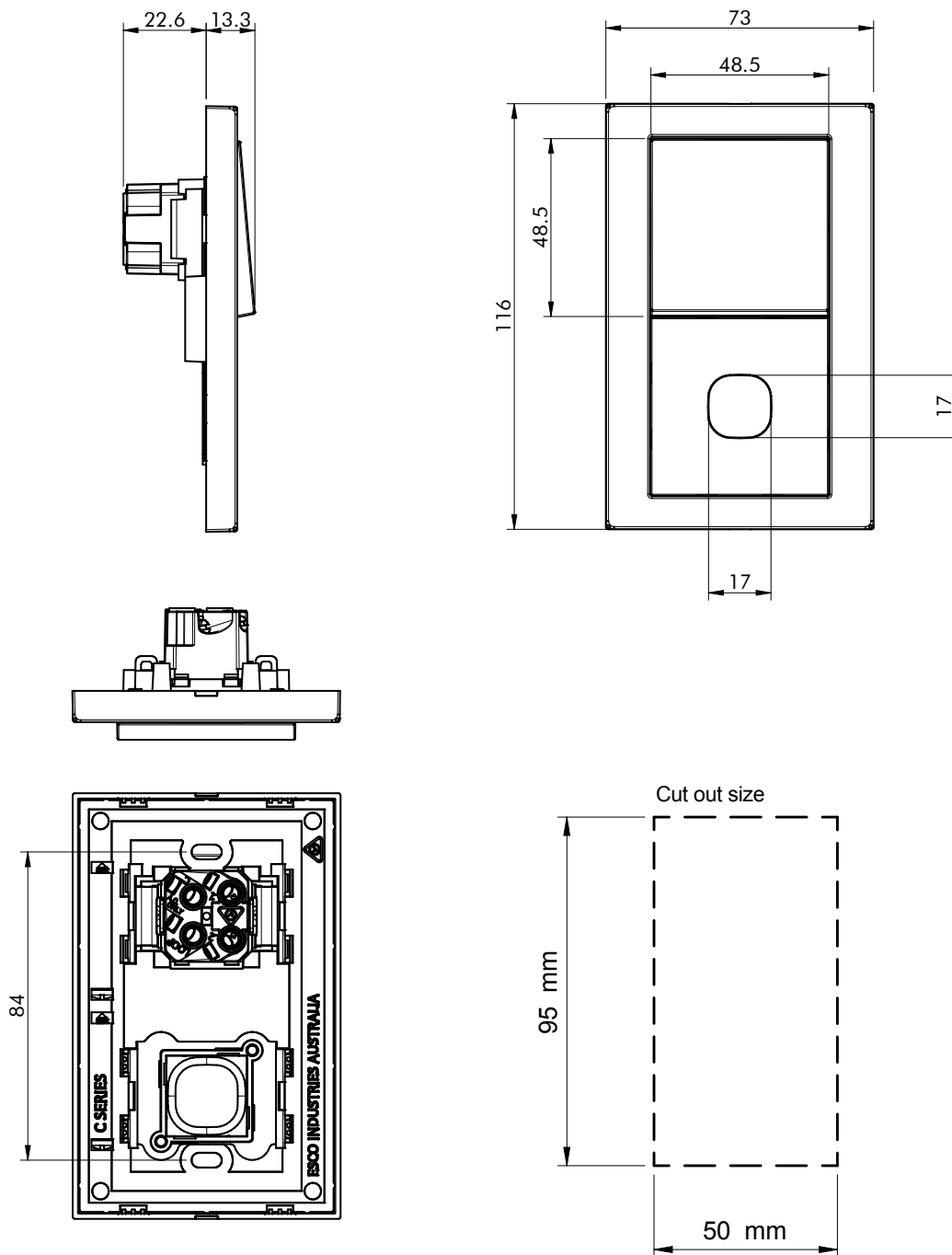
Switch 1G, 16A, Vertical, PTM Mech, White



TECHNICAL DATA

PART NUMBER	CSW1VP1WH
DESCRIPTION	Switch 1G, 16A, Vert, PTM Mech, White
COLOUR	White
MOUNTING CENTRE	84mm
PLATE SIZE	Standard
COMPLIANCE	N/A

DIMENSIONS



esco
industries

THE ESCO GROUP OF COMPANIES

esco MASRAP **MediTek**
industries

modempak

ESCO INDUSTRIES

89 Egerton St (Cnr Fariola & Egerton)
PO Box 6193, Silverwater
NSW 2128 AUSTRALIA

MODEMPAK NZ

30 Fairfax Ave, Penrose
AUCKLAND 1642 NEW ZEALAND

T 1300 879 363 F 1300 879 364

customer.service@escoindustries.com.au
www.escoindustries.com.au

D +64 9 526 1880 Freecall 0800 663 367

F +64 9 580 0606
customer.service@modempak.co.nz
www.modempak.co.nz

PART NUMBER

CDPBUCWH

MODEL DESCRIPTION

Push Button Universal Dimmer, Clipol, 220-240VAC, 50/60Hz, 2-300W, White



TECHNICAL DATA

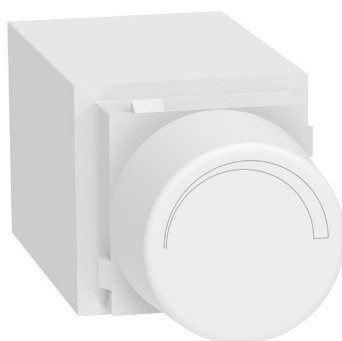
PART NUMBER	CDPBUCWH
DESCRIPTION	Push Button Universal Dimmer, Clipol, 220-240VAC, 50/60Hz, 2-300W, White
SUPPLY VOLTAGE	220-240VAC
CURRENT RATING	2-300W
COLOUR	White
COMPATIBILITY	Suits CSW1P1WH & CSW1VP1WH
COMPLIANCE	AS 60669.2.1:2020

PART NUMBER

CDRTECWH

MODEL DESCRIPTION

Rotary Trailing Edge Dimmer, Clipol, 220-240VAC, 50/60Hz, 2-300W, White



TECHNICAL DATA

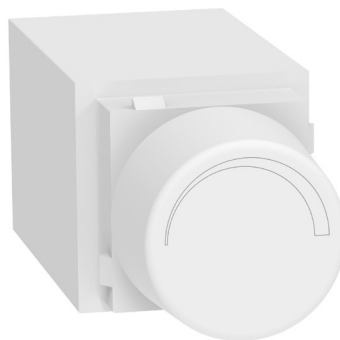
PART NUMBER	CDRTECWH
DESCRIPTION	Rotary Trailing Edge Dimmer, Clipol, 220-240VAC, 50/60Hz, 2-300W, White
SUPPLY VOLTAGE	220-240VAC
CURRENT RATING	2-300W
COLOUR	White
COMPATIBILITY	Suits CSW1P1WH & CSW1VP1WH
COMPLIANCE	AS 60669.2.1:2020

PART NUMBER

CDRLECWH

MODEL DESCRIPTION

Rotary Leading Edge Dimmer, Clipol, 230-240VAC, 50Hz,10-450W, White



TECHNICAL DATA

PART NUMBER	CDRLECWH
DESCRIPTION	Rotary Leading Edge Dimmer, Clipol, 230-240VAC, 50Hz,10-450W, White
SUPPLY VOLTAGE	230-240VAC
CURRENT RATING	10-450W
COLOUR	White
COMPATIBILITY	Suits CSW1P1WH & CSW1VP1WH
COMPLIANCE	AS/NZS 60669.2.1:2013, AS/NZS 60669.1:2013