

PART NUMBER

ESOMVR10-TP / ESOMVR30-TP

PART NUMBER: ESOMVR

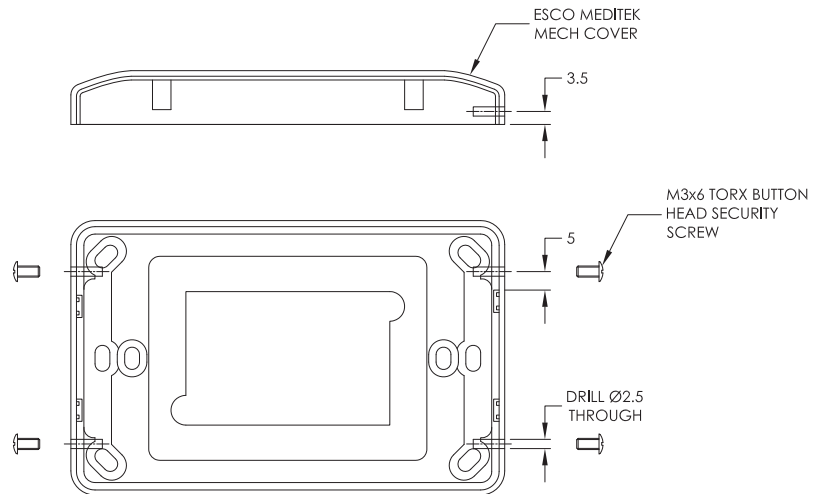
10mA OR 30mA	COLOUR
10 = 10mA	WH = White
30 = 30mA	RD = Red
	DB = Dark Blue

MODEL DESCRIPTION

Residual Current Device (RCD) 230-240Va.c. 20 Amp 10mA or 30mA with torx head security screw fixed cover



ESOMVR10WH-TP



REAR VIEW

TECHNICAL DATA

PART NUMBER	ESOMVR10-TP / ESOMVR30-TP	MAX TRIPPING CURRENT	10mA or 30mA
DESCRIPTION	RCD 230-240Va.c. 20 Amp 10mA or 30mA with torx head security screw fixed cover	RCD TYPE	10mA - Type I / 30mA - Type II
ORIENTATION	Vertical	WITHSTAND RATING	3KA Circuit Protection by MCB or HRC Fuse 20A max
SUPPLY VOLTAGE	230-240Va.c.	COLOUR	White (WH), Red (RD), Dark Blue (DB)
FREQUENCY	50Hz	MOUNTING CENTRES	84mm
POLES DESCRIPTION	Double Pole	COMPLIANCE	AS/NZS 3190, AS/NZS 3003, ISO 22196
MAX CURRENT	20A		



AUSTRALIA
 89 Egerton St (Cnr Fariola & Egerton)
 PO Box 6193, Silverwater
 NSW 2128 AUSTRALIA

T 1300 879 363 F 1300 879 364
 customer.service@escoindustries.com.au
 www.escoindustries.com.au

NEW ZEALAND
 Unit 11/273 Neilson St, Onehunga
 AUCKLAND 1061 NEW ZEALAND

D +64 9 526 1880 **Freecall** 0800 663 367
 customer.service@escoindustries.co.nz
 www.escoindustries.co.nz

PART NUMBER

ESOMHR10-TP / ESOMHR30-TP

MODEL DESCRIPTION

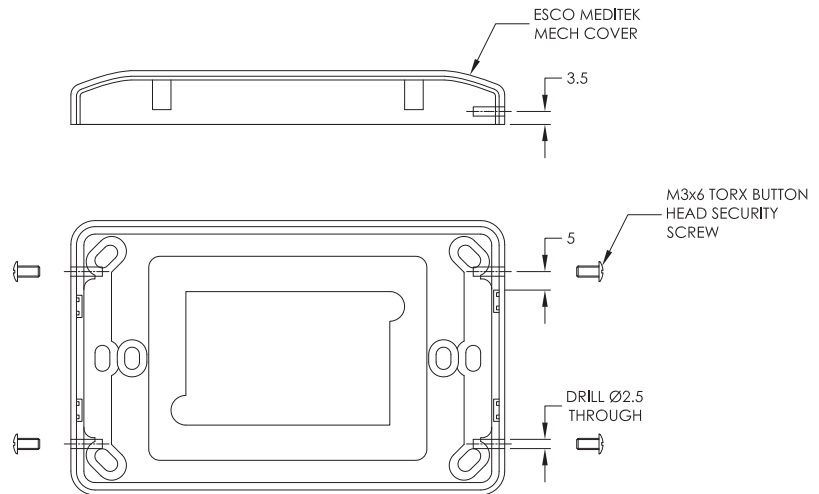
Residual Current Device (RCD) 230-240Va.c. 20 Amp 10mA or 30mA with torx head security screw fixed cover

PART NUMBER: ESOMHR

10mA OR 30mA	COLOUR
10 = 10mA	WH = White
30 = 30mA	RD = Red
	DB = Dark Blue



ESOMHR10WH-TP



REAR VIEW

TECHNICAL DATA

PART NUMBER	ESOMHR10-TP / ESOMHR30-TP
DESCRIPTION	RCD 230-240Va.c. 20 Amp 10mA or 30mA with torx head security screw fixed cover
ORIENTATION	Horizontal
SUPPLY VOLTAGE	230-240Va.c.
FREQUENCY	50Hz
POLES DESCRIPTION	Double Pole
MAX CURRENT	20A

MAX TRIPPING CURRENT	10mA or 30mA
RCD TYPE	10mA - Type I / 30mA - Type II
WITHSTAND RATING	3KA Circuit Protection by MCB or HRC Fuse 20A max
COLOUR	Universal - White (WH), Red (RD), Dark Blue (DB)
MOUNTING CENTRES	84mm
COMPLIANCE	AS/NZS 3190, AS/NZS 3003, ISO 22196



AUSTRALIA

89 Egerton St (Cnr Fariola & Egerton)
 PO Box 6193, Silverwater
 NSW 2128 AUSTRALIA

T 1300 879 363 F 1300 879 364

customer.service@escoindustries.com.au
 www.escoindustries.com.au

NEW ZEALAND

Unit 11/273 Neilson St, Onehunga
 AUCKLAND 1061 NEW ZEALAND

D +64 9 526 1880 Freecall 0800 663 367

customer.service@escoindustries.co.nz
 www.escoindustries.co.nz

PART NUMBER

ESOM2R10-TP, ESOM2R30-TP

MODEL DESCRIPTION

Socket Outlets Switched 10 Amp 250Va.c. with Residual Current Device (RCD) 230-240Va.c. 20 Amp 10mA or 30mA with torx head security screw fixed cover

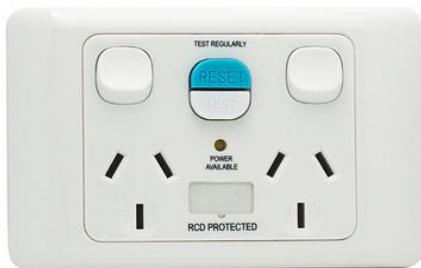
PART NUMBER:
 ESOM2R

XX

XX

-TP

10mA OR 30mA	COLOUR
10 = 10mA	WH = White
30 = 30mA	RD = Red
	DB = Dark Blue



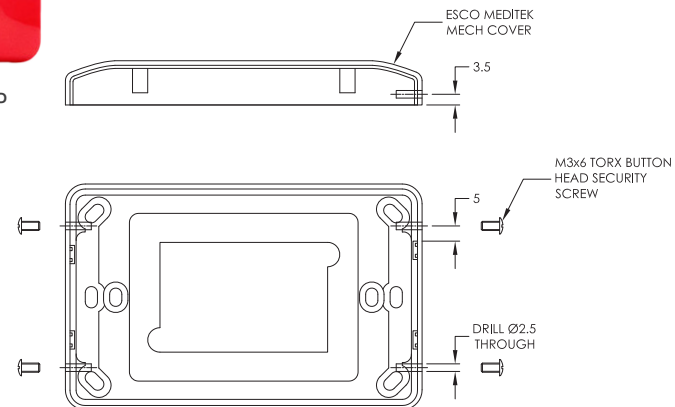
ESOM2R10WH-TP



ESOM2R10RD-TP



ESOM2R10DB-TP



REAR VIEW

TECHNICAL DATA

PART NUMBER	ESOM2R10-TP, ESOM2R30-TP	MAXIMUM TRIPPING CURRENT	RCD - 10mA or 30mA
DESCRIPTION	Socket Outlets Switched 10 Amp 250Va.c. with RCD 230-240Va.c. 20 Amp 10mA or 30mA with torx head security screw fixed cover	RCD TYPE	10mA - Type I / 30mA - Type II
ORIENTATION	Horizontal	WITHSTAND RATING	3KA Circuit Protection by MCB or HRC Fuse 20A max
SUPPLY VOLTAGE	RCD - 230-240Va.c. / Socket Outlets - 250Va.c.	COLOUR	White (WH), Red (RD), Dark Blue (DB)
FREQUENCY	RCD - 50Hz	MOUNTING CENTRES	84mm
POLES DESCRIPTION	RCD - Double Pole / Socket Outlets - Single Pole	COMPLIANCE	AS/NZS 3190, AS/NZS 3003, AS/NZS 3112, ISO 22196
MAXIMUM CURRENT	RCD - 20A / Socket Outlets - 10A		



AUSTRALIA

89 Egerton St (Cnr Fariola & Egerton)
 PO Box 6193, Silverwater
 NSW 2128 AUSTRALIA

T 1300 879 363 F 1300 879 364

customer.service@escoindustries.com.au
 www.escoindustries.com.au

NEW ZEALAND

Unit 11/273 Neilson St, Onehunga
 AUCKLAND 1061 NEW ZEALAND

D +64 9 526 1880 Freecall 0800 663 367

customer.service@escoindustries.co.nz
 www.escoindustries.co.nz

PART NUMBER

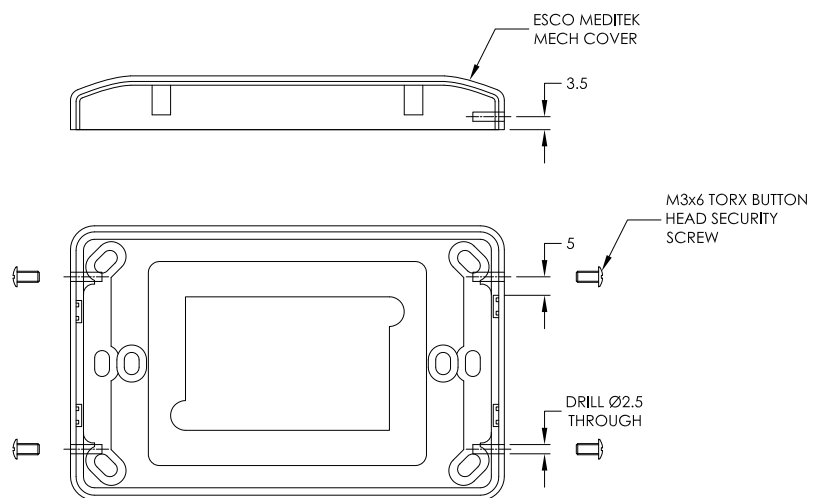
ESOM2RC10BE-TP

MODEL DESCRIPTION

Socket Outlets Switched 10 Amp 250Va.c. with Residual Current Device (RCD) 230-240Va.c. 20 Amp Type 1 10mA, marked "CLEANING PURPOSES ONLY" with torx head security screw fixed cover



ESOM2RC10BE-TP



REAR VIEW

TECHNICAL DATA

PART NUMBER	ESOM2RC10BE-TP	MAXIMUM TRIPPING CURRENT	RCD - 10mA
DESCRIPTION	Socket Outlets Switched 10 Amp 250Va.c. with RCD 230-240Va.c. 20 Amp Type 1 10mA, marked "CLEANING PURPOSES ONLY" with torx head security screw fixed cover	RCD TYPE	Type I RCD
ORIENTATION	Horizontal	WITHSTAND RATING	3KA Circuit Protection by MCB or HRC Fuse 20A max
SUPPLY VOLTAGE	RCD - 230-240Va.c. / Socket Outlets - 250Va.c.	COLOUR	Beige (BE) (cleaning purposes only)
FREQUENCY	RCD - 50Hz	MOUNTING CENTRES	84mm
POLES DESCRIPTION	RCD - Double Pole / Socket Outlets - Single Pole	COMPLIANCE	AS/NZS 3190, AS/NZS 3003, AS/NZS 3112, ISO 22196
MAXIMUM CURRENT	RCD - 20A / Socket Outlets - 10A		



AUSTRALIA
89 Egerton St (Cnr Fariola & Egerton)
PO Box 6193, Silverwater
NSW 2128 AUSTRALIA

T 1300 879 363 F 1300 879 364
customer.service@escoindustries.com.au
www.escoindustries.com.au

NEW ZEALAND
Unit 11/273 Neilson St, Onehunga
AUCKLAND 1061 NEW ZEALAND

D +64 9 526 1880 Freecall 0800 663 367
customer.service@escoindustries.co.nz
www.escoindustries.co.nz

DATA SHEET

PART NUMBER

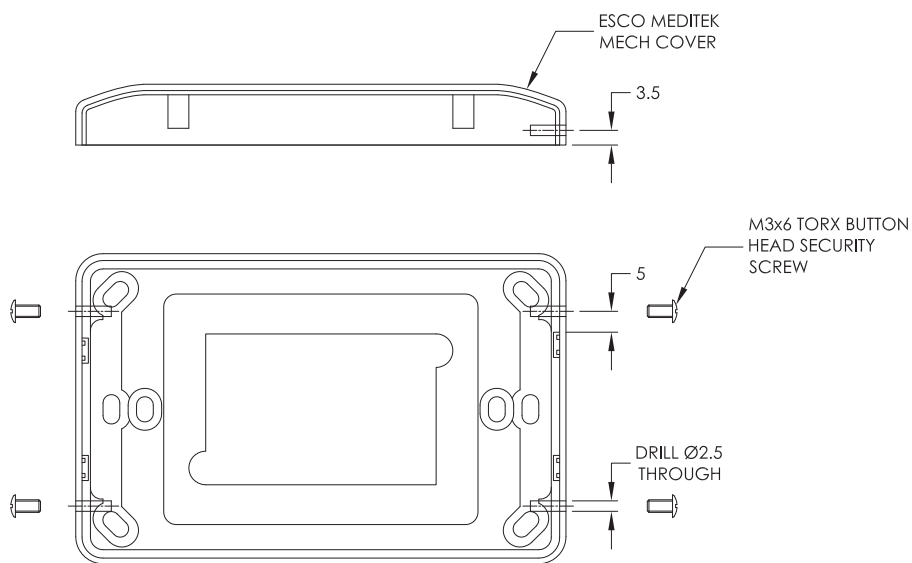
ESOM2VR10WH-TP / ESOM2VR30WH-TP

MODEL DESCRIPTION

Socket Outlets Switched 10 Amp 250Va.c. with Residual Current Device (RCD)
230-240Va.c. 20 Amp 10mA or 30mA with torx head security screw fixed cover



ESOM2VR10WH-TP



REAR VIEW

TECHNICAL DATA

PART NUMBER	ESOM2VR10WH-TP / ESOM2VR30WH-TP	MAXIMUM TRIPPING CURRENT	RCD - 10mA or 30mA
DESCRIPTION	Socket Outlets Switched 10 Amp 250Va.c. with RCD 230-240Va.c. 20 Amp 10mA or 30mA with torx head security screw fixed cover	RCD TYPE	10mA - Type I / 30mA - Type II
ORIENTATION	Vertical	WITHSTAND RATING	3KA Circuit Protection by MCB or HRC Fuse 20A max
SUPPLY VOLTAGE	RCD - 230-240Va.c. / Socket Outlets - 250Va.c.	COLOUR	White (WH)
FREQUENCY	RCD - 50Hz	MOUNTING CENTRES	84mm
POLES DESCRIPTION	RCD - Double Pole / Socket Outlets - Single Pole	COMPLIANCE	AS/NZS 3190, AS/NZS 3003, AS/NZS 3112, ISO 22196
MAXIMUM CURRENT	RCD - 20A / Socket Outlets - 10A		

esco
industries

AUSTRALIA

89 Egerton St (Cnr Fariola & Egerton)
PO Box 6193, Silverwater
NSW 2128 AUSTRALIA

T 1300 879 363 F 1300 879 364

customer.service@escoindustries.com.au
www.escoindustries.com.au

NEW ZEALAND

Unit 11/273 Neilson St, Onehunga
AUCKLAND 1061 NEW ZEALAND

D +64 9 526 1880 Freecall 0800 663 367

customer.service@escoindustries.co.nz
www.escoindustries.co.nz