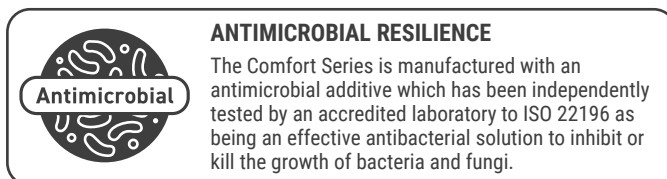


PART NUMBER

CS1WH

MODEL DESCRIPTION

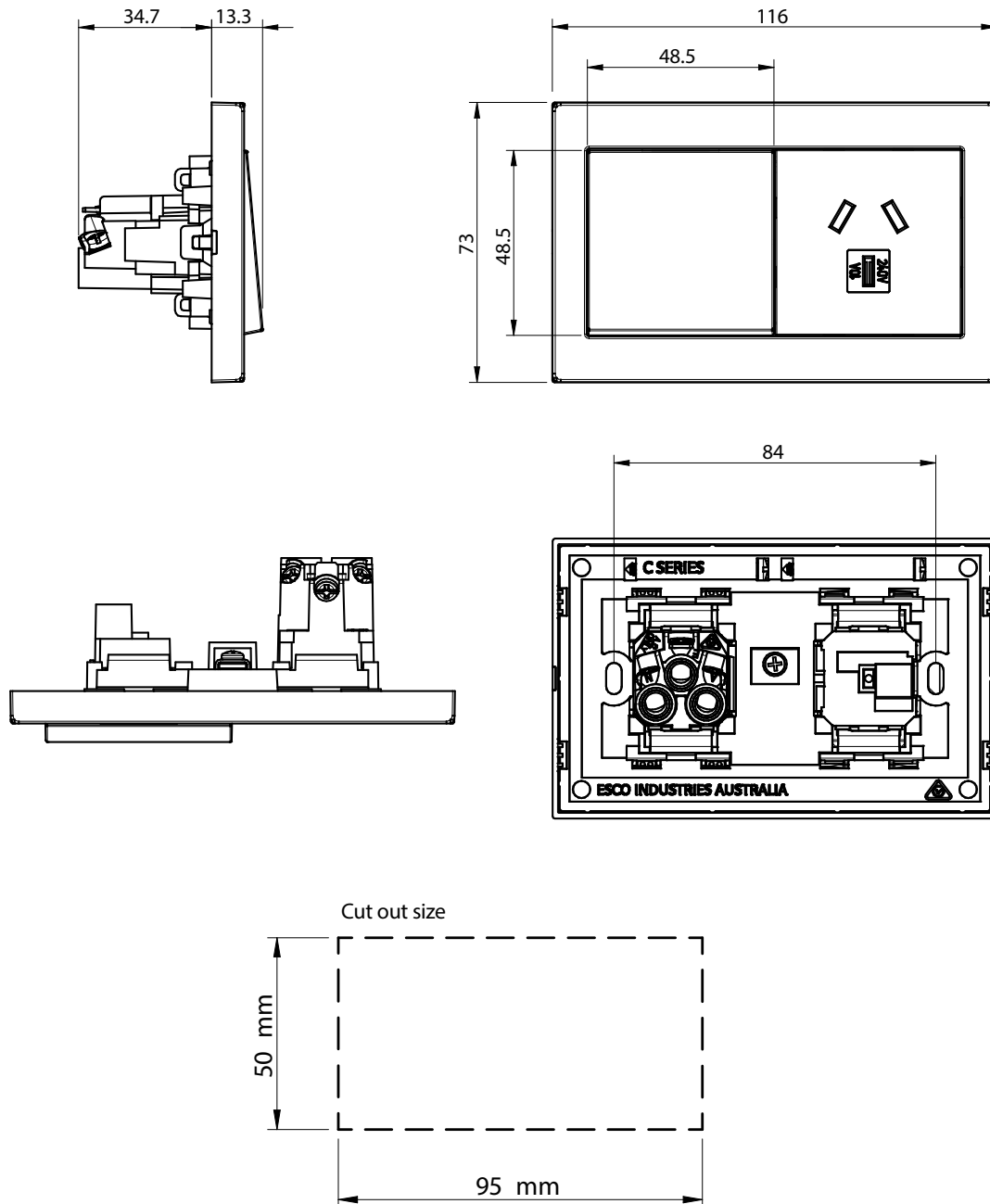
Socket Outlet, Switched, 10A, White



TECHNICAL DATA

PART NUMBER	CS1WH
DESCRIPTION	Socket Outlet, Switched, 10A, White
SUPPLY VOLTAGE	250Va.c.
CURRENT RATING	10A
COLOUR	White
MOUNTING CENTRE	84mm
PLATE SIZE	Standard
SWITCH SIZE	48.5mm x 48.5mm
COMPLIANCE	AS/NZS3133, AS/NZS3112, ISO 22196, AS 1428.1 - Design for access and mobility, Livable Housing Design Guidelines – Switches & Powerpoints (Platinum Level)

DIMENSIONS

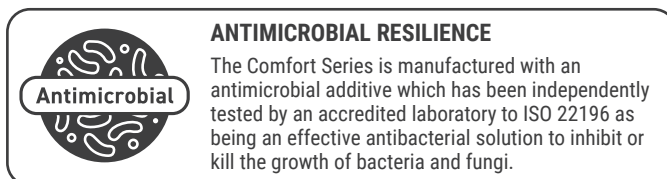


PART NUMBER

CS1LWH

MODEL DESCRIPTION

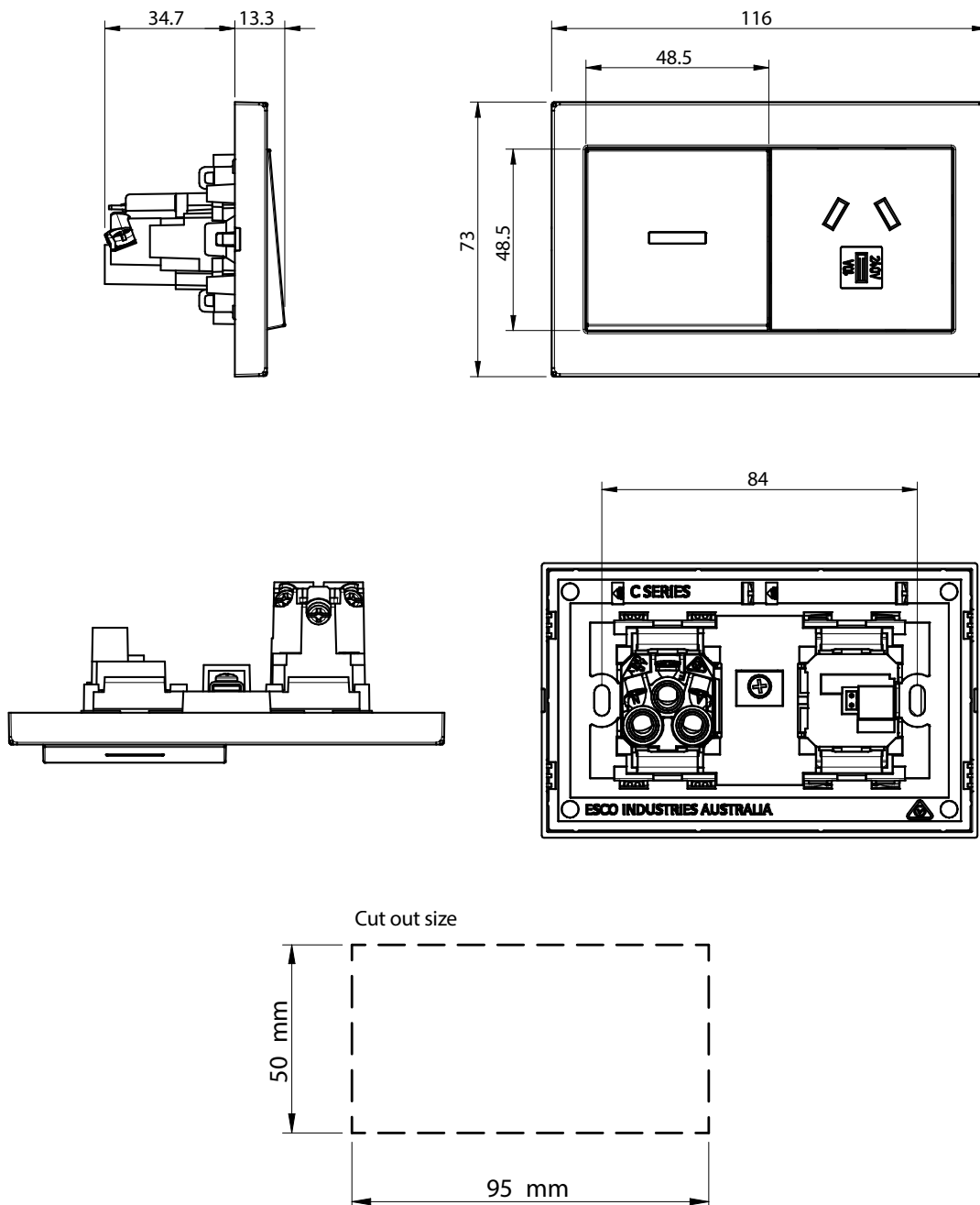
Socket Outlet, Switched. with red LED 'ON' indicator.10A. White



TECHNICAL DATA

PART NUMBER	CS1LWH
DESCRIPTION	Socket Outlet, Switched, with red LED 'ON' indicator,10A, White
SUPPLY VOLTAGE	250Va.c.
CURRENT RATING	10A
COLOUR	White
MOUNTING CENTRE	84mm
PLATE SIZE	Standard
SWITCH SIZE	48.5mm x 48.5mm
COMPLIANCE	AS/NZS3133, AS/NZS3112, ISO 22196, AS 1428.1 - Design for access and mobility, Livable Housing Design Guidelines – Switches & Powerpoints (Platinum Level)

DIMENSIONS



esco
industries

THE ESCO GROUP OF COMPANIES

esco industries MASRAP **MediTek**

modempak

ESCO INDUSTRIES
89 Egerton St (Cnr Fariola & Egerton)
PO Box 6193, Silverwater
NSW 2128 AUSTRALIA

MODEMPAK NZ
Unit 11/273 Neilson St, Onehunga
AUCKLAND 1061 NEW ZEALAND

T 1300 879 363 **F** 1300 879 364
customer.service@escoindustries.com.au
www.escoindustries.com.au

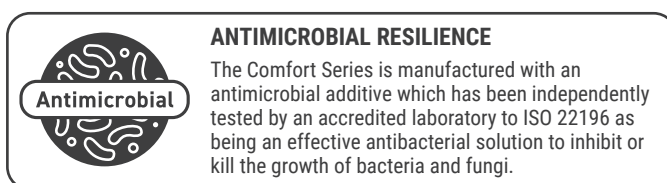
D +64 9 526 1880 **Freecall** 0800 663 367
customer.service@modempak.co.nz
www.modempak.co.nz

PART NUMBER

CS115WH

MODEL DESCRIPTION

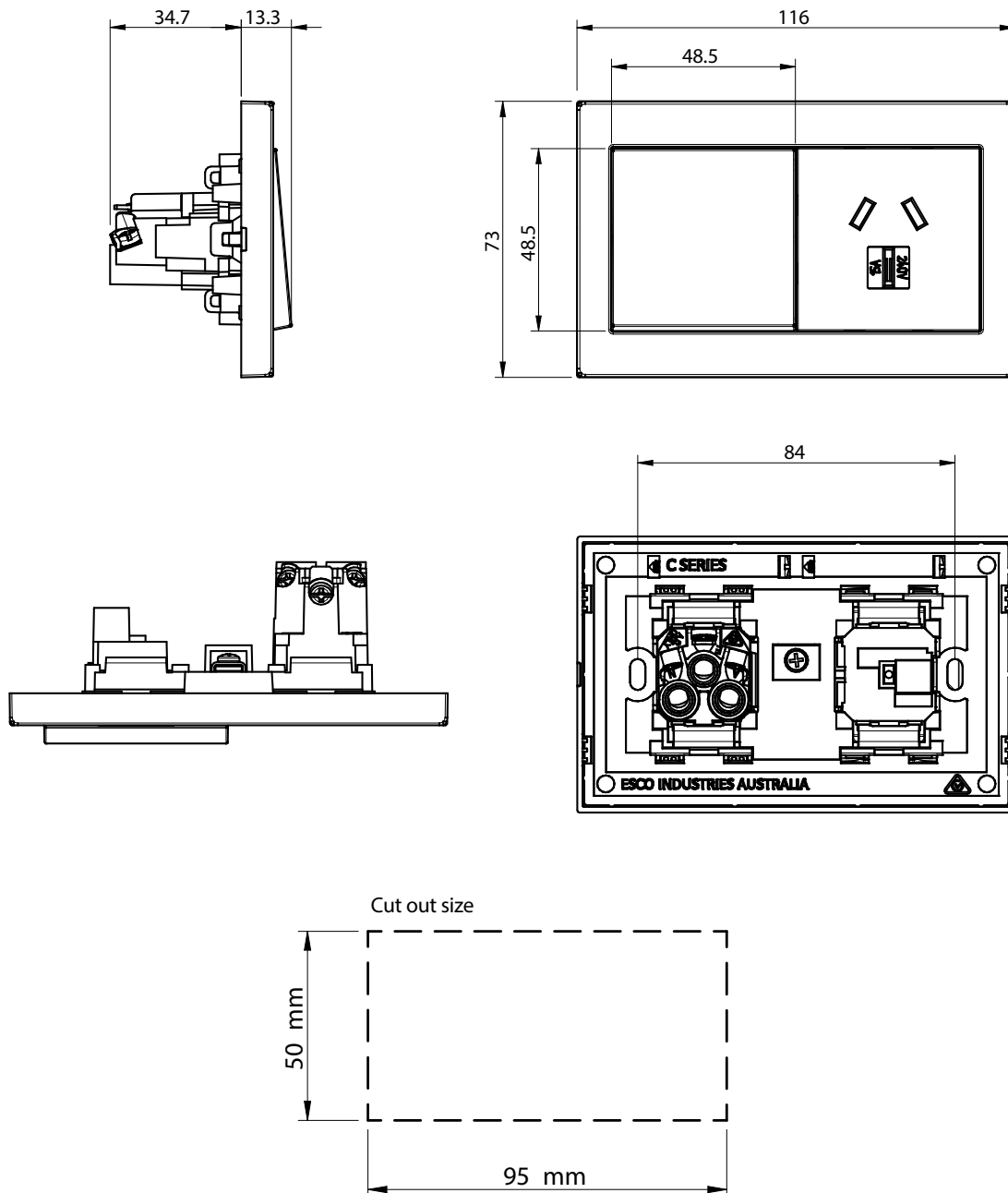
Socket Outlet, Switched, 15A, White



TECHNICAL DATA

PART NUMBER	CS115WH
DESCRIPTION	Socket Outlet, Switched, 15A, White
SUPPLY VOLTAGE	250Va.c.
CURRENT RATING	15A
COLOUR	White
MOUNTING CENTRE	84mm
PLATE SIZE	Standard
SWITCH SIZE	48.5mm x 48.5mm
COMPLIANCE	AS/NZS3133, AS/NZS3112, ISO 22196, AS 1428.1 - Design for access and mobility, Livable Housing Design Guidelines – Switches & Powerpoints (Platinum Level)

DIMENSIONS




PART NUMBER

CS115LWH

MODEL DESCRIPTION

Socket Outlet, Switched, with red LED 'ON' indicator, 15A, White



ANTIMICROBIAL RESILIENCE

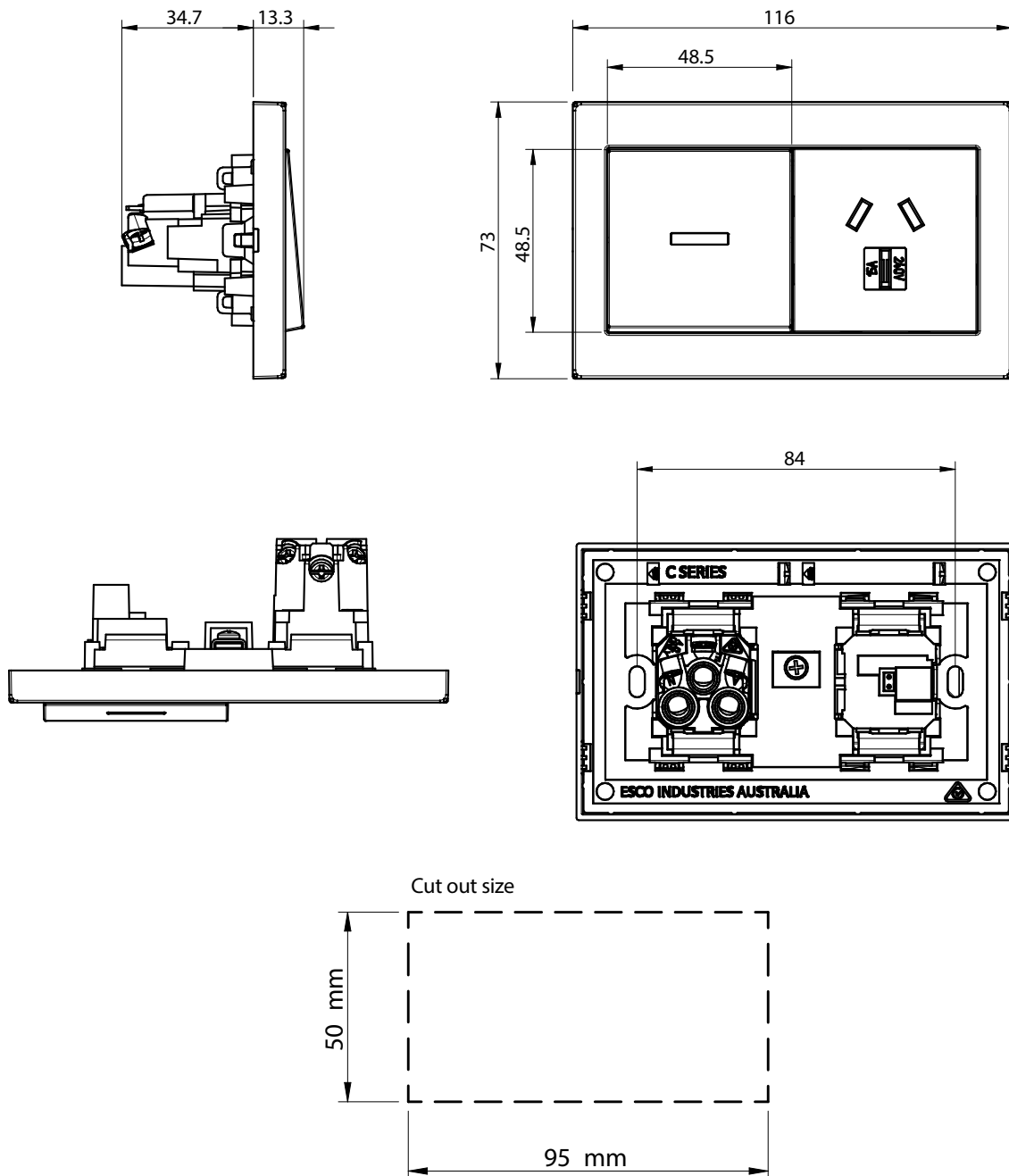
The Comfort Series is manufactured with an antimicrobial additive which has been independently tested by an accredited laboratory to ISO 22196 as being an effective antibacterial solution to inhibit or kill the growth of bacteria and fungi.



TECHNICAL DATA

PART NUMBER	CS115LWH
DESCRIPTION	Socket Outlet, Switched, with red LED 'ON' indicator, 15A, White
SUPPLY VOLTAGE	250V a.c.
CURRENT RATING	15A
COLOUR	White
MOUNTING CENTRE	84mm
PLATE SIZE	Standard
SWITCH SIZE	48.5mm x 48.5mm
COMPLIANCE	AS/NZS3133, AS/NZS3112, ISO 22196, AS 1428.1 - Design for access and mobility, Livable Housing Design Guidelines – Switches & Powerpoints (Platinum Level)

DIMENSIONS



esco
industries

THE ESCO GROUP OF COMPANIES

esco industries MASRAP **MediTek**

modempak

ESCO INDUSTRIES
89 Egerton St (Cnr Fariola & Egerton)
PO Box 6193, Silverwater
NSW 2128 AUSTRALIA

MODEMPAK NZ
Unit 11/273 Neilson St, Onehunga
AUCKLAND 1061 NEW ZEALAND

T 1300 879 363 **F** 1300 879 364
customer.service@escoindustries.com.au
www.escoindustries.com.au

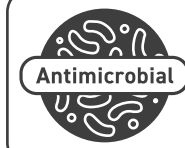
D +64 9 526 1880 **Freecall** 0800 663 367
customer.service@modempak.co.nz
www.modempak.co.nz

PART NUMBER

CS1VWH

MODEL DESCRIPTION

Socket Outlet, Switched, 10A, Vertical, White



ANTIMICROBIAL RESILIENCE

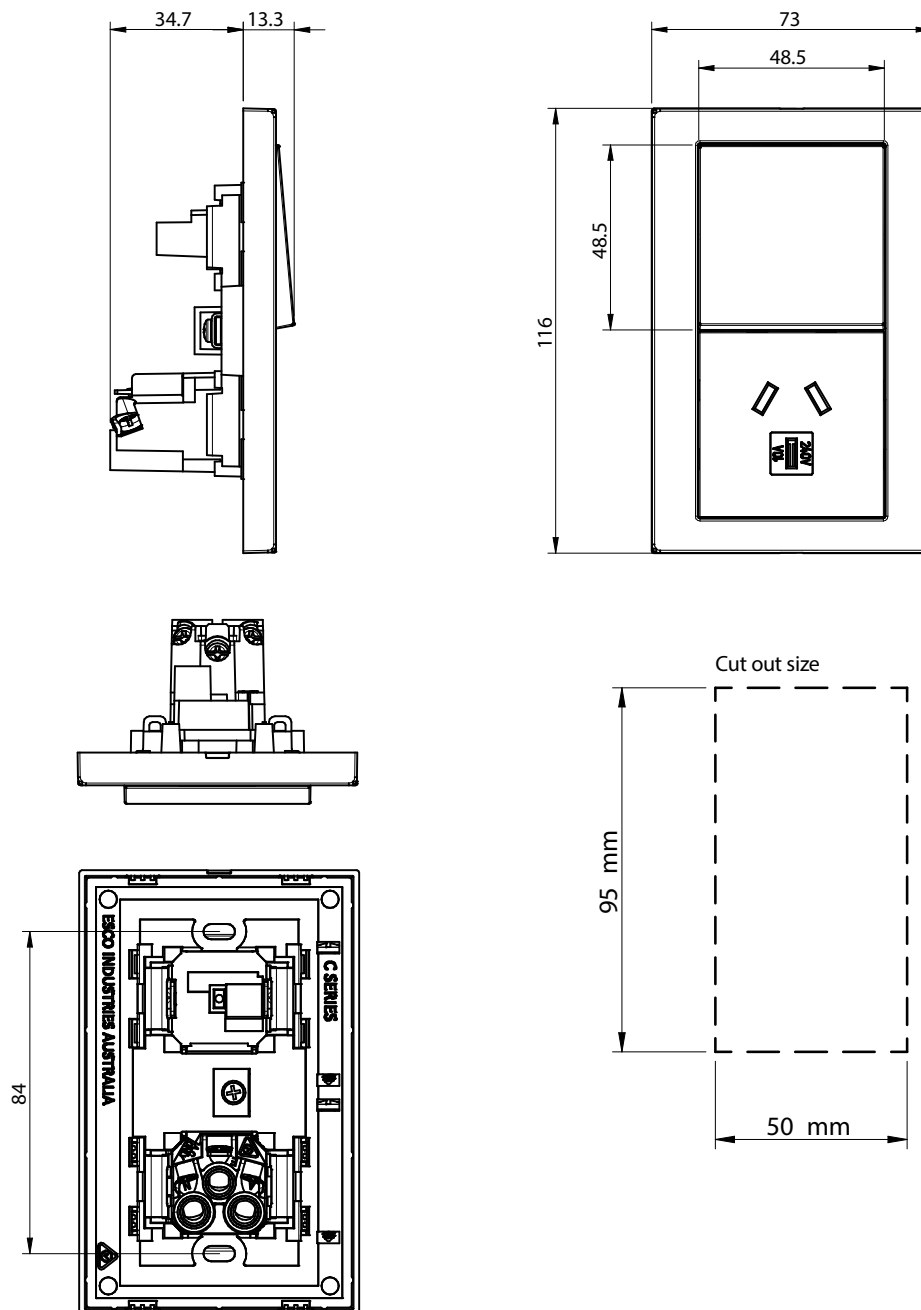
The Comfort Series is manufactured with an antimicrobial additive which has been independently tested by an accredited laboratory to ISO 22196 as being an effective antibacterial solution to inhibit or kill the growth of bacteria and fungi.



TECHNICAL DATA

PART NUMBER	CS1VWH
DESCRIPTION	Socket Outlet, Switched, 10A, Vertical, White
SUPPLY VOLTAGE	250Va.c.
CURRENT RATING	10A
COLOUR	White
MOUNTING CENTRE	84mm
PLATE SIZE	Standard
SWITCH SIZE	48.5mm x 48.5mm
COMPLIANCE	AS/NZS3133, AS/NZS3112, ISO 22196, AS 1428.1 - Design for access and mobility, Livable Housing Design Guidelines – Switches & Powerpoints (Platinum Level)

DIMENSIONS



esco
industries

THE ESCO GROUP OF COMPANIES

esco MASRAP **MediTek**
industries

modempak

ESCO INDUSTRIES
89 Egerton St (Cnr Fariola & Egerton)
PO Box 6193, Silverwater
NSW 2128 AUSTRALIA

MODEMPAK NZ
Unit 11/273 Neilson St, Onehunga
AUCKLAND 1061 NEW ZEALAND

T 1300 879 363 **F** 1300 879 364
customer.service@escoindustries.com.au
www.escoindustries.com.au

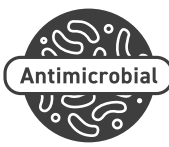
D +64 9 526 1880 **Freecall** 0800 663 367
customer.service@modempak.co.nz
www.modempak.co.nz

PART NUMBER

CS1LVWH

MODEL DESCRIPTION

Socket Outlet, Switched, with red LED 'ON' indicator, 10A, Vertical, White



ANTIMICROBIAL RESILIENCE

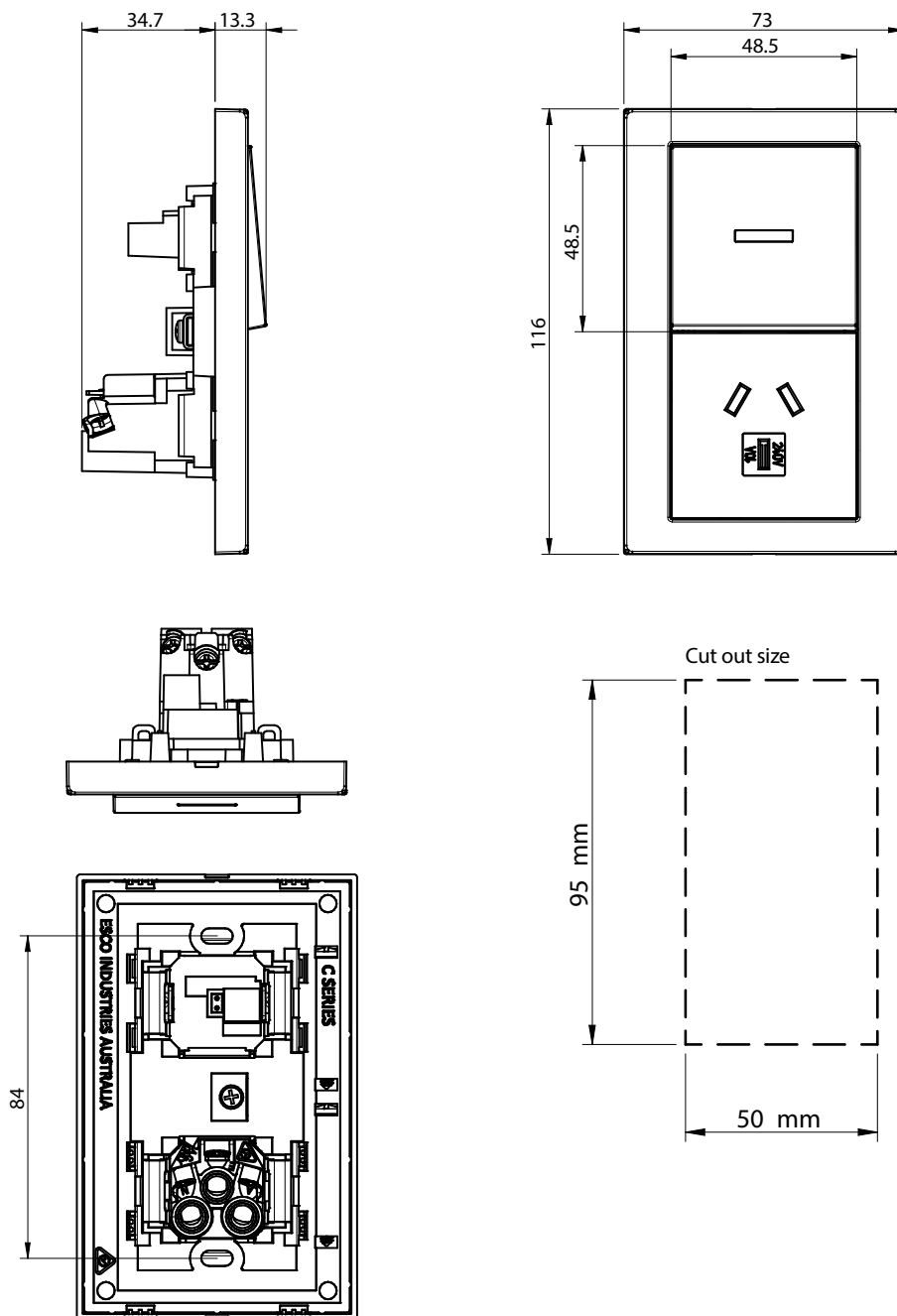
The Comfort Series is manufactured with an antimicrobial additive which has been independently tested by an accredited laboratory to ISO 22196 as being an effective antibacterial solution to inhibit or kill the growth of bacteria and fungi.



TECHNICAL DATA

PART NUMBER	CS1LVWH
DESCRIPTION	Socket Outlet, Switched, with red LED 'ON' indicator, 10A, Vertical, White
SUPPLY VOLTAGE	250Va.c.
CURRENT RATING	10A
COLOUR	White
MOUNTING CENTRE	84mm
PLATE SIZE	Standard
SWITCH SIZE	48.5mm x 48.5mm
COMPLIANCE	AS/NZS3133, AS/NZS3112, ISO 22196, AS 1428.1 - Design for access and mobility, Livable Housing Design Guidelines – Switches & Powerpoints (Platinum Level)

DIMENSIONS



esco
industries

THE ESCO GROUP OF COMPANIES

esco industries MASRAP **MediTek**

modempak

ESCO INDUSTRIES

89 Egerton St (Cnr Fariola & Egerton)
PO Box 6193, Silverwater
NSW 2128 AUSTRALIA

T 1300 879 363 F 1300 879 364

customer.service@escoindustries.com.au
www.escoindustries.com.au

MODEMPAK NZ

Unit 11/273 Neilson St, Onehunga
AUCKLAND 1061 NEW ZEALAND

D +64 9 526 1880 Freecall 0800 663 367

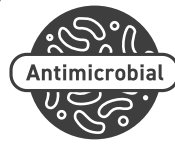
customer.service@modempak.co.nz
www.modempak.co.nz

PART NUMBER

CSF2WH

MODEL DESCRIPTION

Socket Outlet Full Plate, Double, Switched, 10A, White



ANTIMICROBIAL RESILIENCE

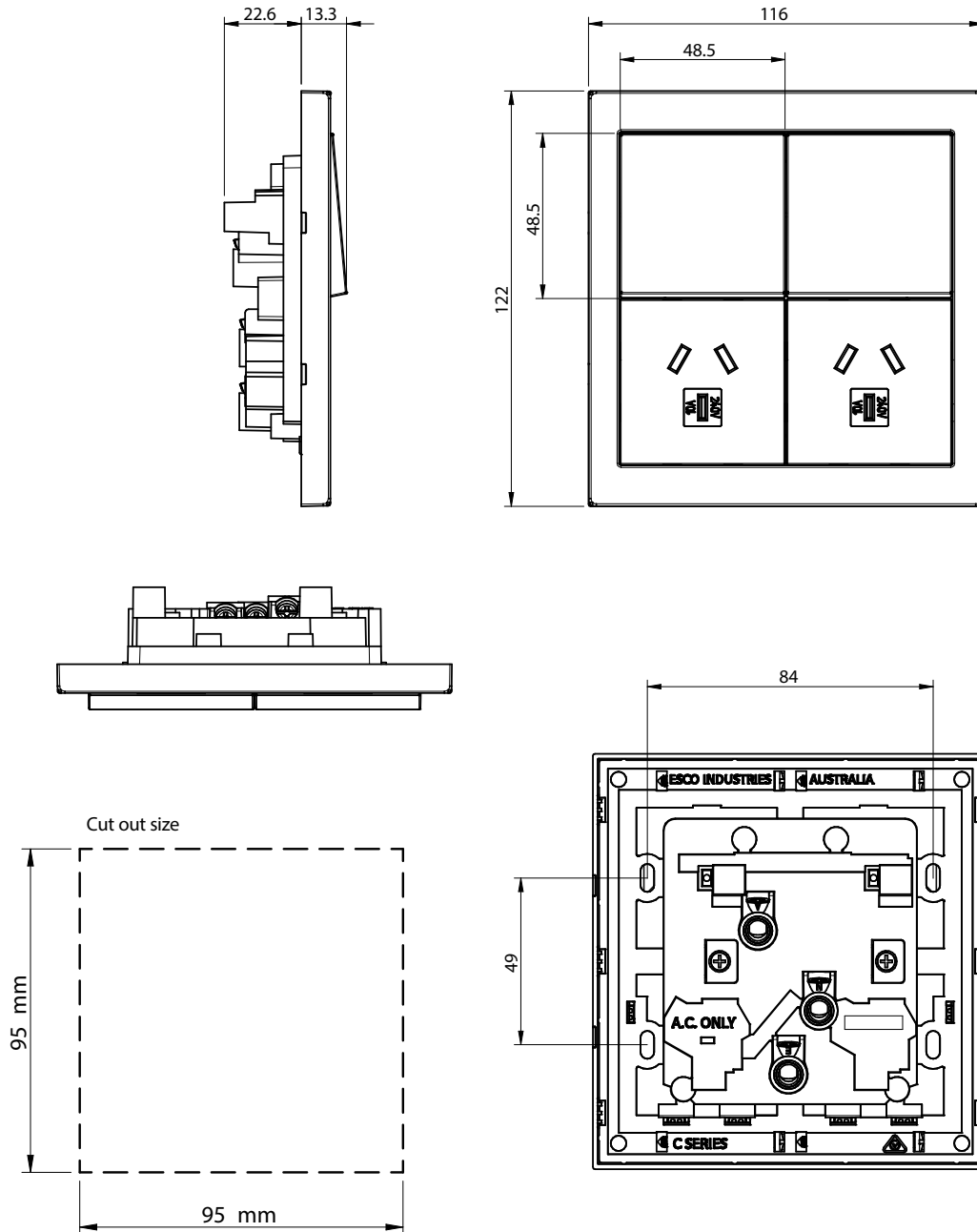
The Comfort Series is manufactured with an antimicrobial additive which has been independently tested by an accredited laboratory to ISO 22196 as being an effective antibacterial solution to inhibit or kill the growth of bacteria and fungi.



TECHNICAL DATA

PART NUMBER	CSF2WH
DESCRIPTION	Socket Outlet Full Plate, Double, Switched, 10A, White
SUPPLY VOLTAGE	250Va.c.
CURRENT RATING	10A
COLOUR	White
MOUNTING CENTRE	84mm
PLATE SIZE	Large
SWITCH SIZE	48.5mm x 48.5mm
COMPLIANCE	AS/NZS3133, AS/NZS3112, ISO 22196, AS 1428.1 - Design for access and mobility, Livable Housing Design Guidelines – Switches & Powerpoints (Platinum Level)

DIMENSIONS



esco
industries

THE ESCO GROUP OF COMPANIES

esco industries MASRAP **MediTek**

modempak

ESCO INDUSTRIES
89 Egerton St (Cnr Fariola & Egerton)
PO Box 6193, Silverwater
NSW 2128 AUSTRALIA

MODEMPAK NZ
Unit 11/273 Neilson St, Onehunga
AUCKLAND 1061 NEW ZEALAND

T 1300 879 363 **F** 1300 879 364
customer.service@escoindustries.com.au
www.escoindustries.com.au

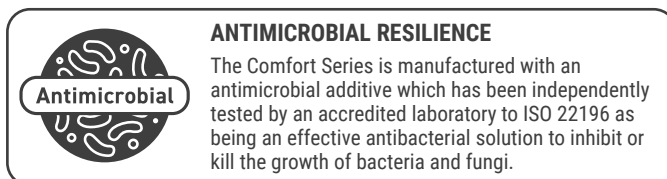
D +64 9 526 1880 **Freecall** 0800 663 367
customer.service@modempak.co.nz
www.modempak.co.nz

PART NUMBER

CSF2LWH

MODEL DESCRIPTION

Socket Outlet Full Plate, Double, Switched, with red LED 'ON' indicator, 10A, White



TECHNICAL DATA

PART NUMBER	CSF2LWH
DESCRIPTION	Socket Outlet Full Plate, Double, Switched, with red LED 'ON' indicator, 10A, White
SUPPLY VOLTAGE	250Va.c.
CURRENT RATING	10A
COLOUR	White
MOUNTING CENTRE	84mm
PLATE SIZE	Large
SWITCH SIZE	48.5mm x 48.5mm
COMPLIANCE	AS/NZS3133, AS/NZS3112, ISO 22196, AS 1428.1 - Design for access and mobility, Livable Housing Design Guidelines – Switches & Powerpoints (Platinum Level)

DIMENSIONS

