


PART NUMBER

CM1WH

MODEL DESCRIPTION

Socket Outlet Medical, Switched, Power Avail Neon, Circuit ID Provision, 10A, White



ANTIMICROBIAL RESILIENCE

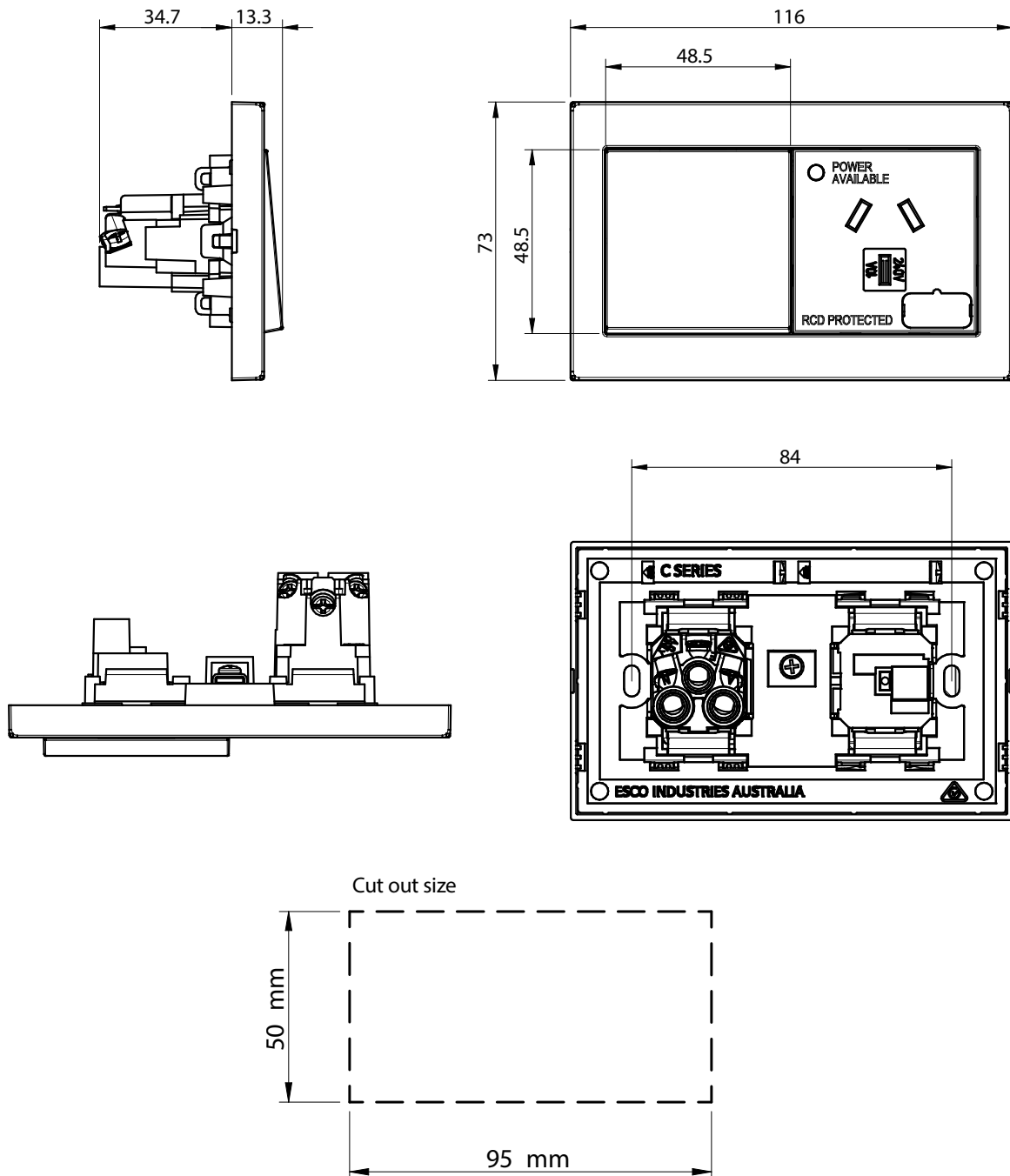
The Comfort Series is manufactured with an antimicrobial additive which has been independently tested by an accredited laboratory to ISO 22196 as being an effective antibacterial solution to inhibit or kill the growth of bacteria and fungi.



TECHNICAL DATA

PART NUMBER	CM1WH
DESCRIPTION	Socket Outlet Medical, Switched, Power Avail Neon, Circuit ID Provision, 10A, White
SUPPLY VOLTAGE	250Va.c.
CURRENT RATING	10A
COLOUR	White
MOUNTING CENTRE	84mm
PLATE SIZE	Standard
SWITCH SIZE	48.5mm x 48.5mm
COMPLIANCE	AS/NZS3133, AS/NZS3112, ISO 22196, AS 1428.1 - Design for access and mobility, Livable Housing Design Guidelines – Switches & Powerpoints (Platinum Level)

DIMENSIONS

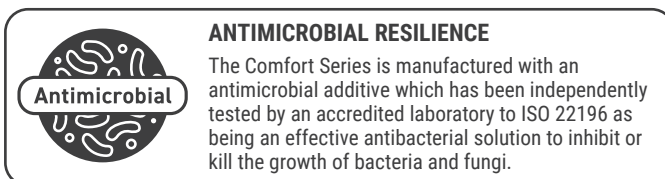


PART NUMBER

CM115WH

MODEL DESCRIPTION

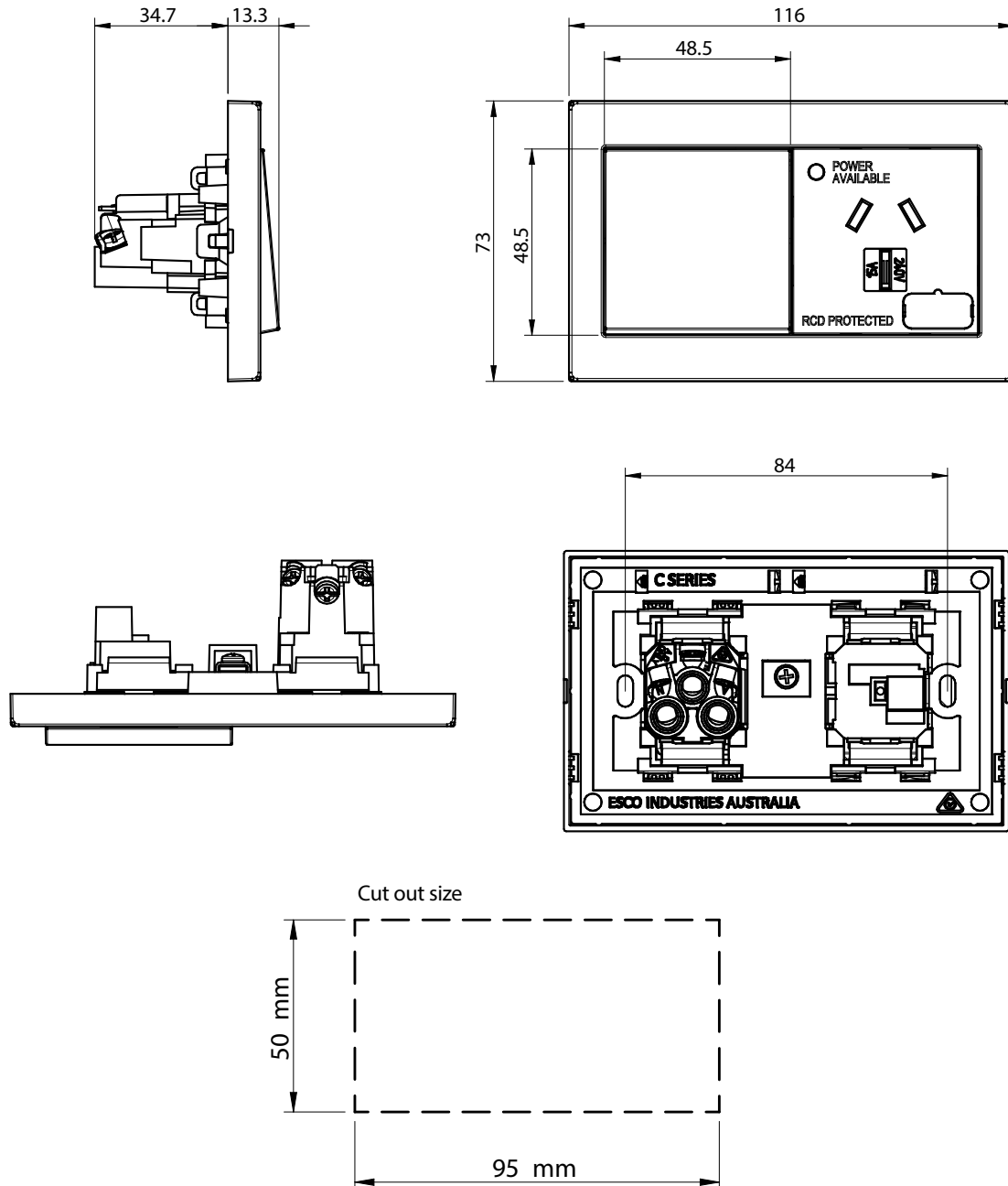
Socket Outlet Medical. Switched. Power Avail Neon. Circuit ID Provision,15A, White



TECHNICAL DATA

PART NUMBER	CM115WH
DESCRIPTION	Socket Outlet Medical, Switched, Power Avail Neon, Circuit ID Provision,15A, White
SUPPLY VOLTAGE	250Va.c.
CURRENT RATING	15A
COLOUR	White
MOUNTING CENTRE	84mm
PLATE SIZE	Standard
SWITCH SIZE	48.5mm x 48.5mm
COMPLIANCE	AS/NZS3133, AS/NZS3112, ISO 22196, AS 1428.1 - Design for access and mobility, Livable Housing Design Guidelines – Switches & Powerpoints (Platinum Level)

DIMENSIONS



esco
industries

THE ESCO GROUP OF COMPANIES

esco industries MASRAP **MediTek**

modempak

ESCO INDUSTRIES
89 Egerton St (Cnr Fariola & Egerton)
PO Box 6193, Silverwater
NSW 2128 AUSTRALIA

MODEMPAK NZ
Unit 11/273 Neilson St, Onehunga
AUCKLAND 1061 NEW ZEALAND

T 1300 879 363 F 1300 879 364
customer.service@escoindustries.com.au
www.escoindustries.com.au


D +64 9 526 1880 Freecall 0800 663 367
customer.service@modempak.co.nz
www.modempak.co.nz

PART NUMBER

CM1RD

MODEL DESCRIPTION

Socket Outlet Medical, Switched, Power Avail Neon, Circuit ID Provision, 10A, Red



ANTIMICROBIAL RESILIENCE

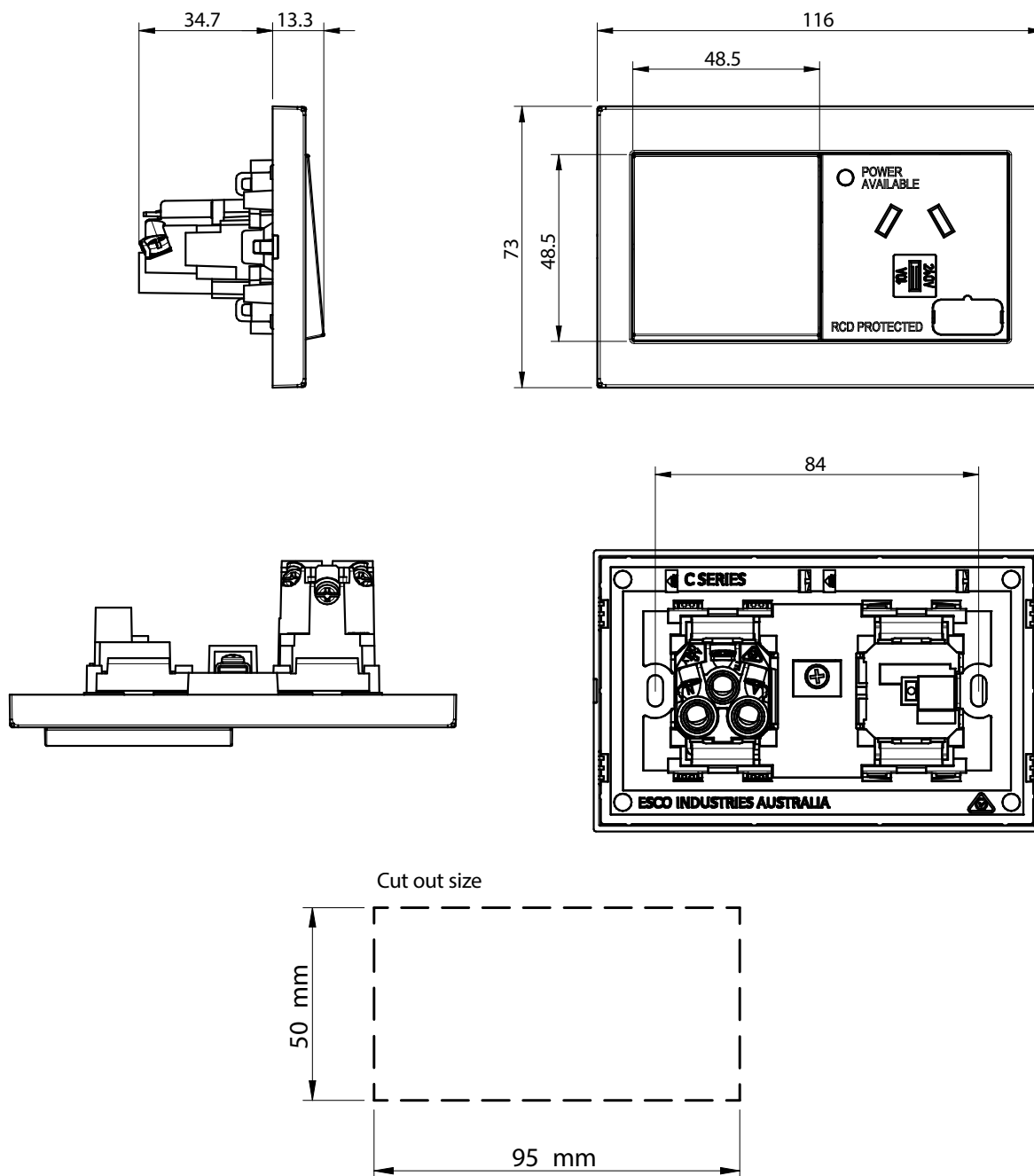
The Comfort Series is manufactured with an antimicrobial additive which has been independently tested by an accredited laboratory to ISO 22196 as being an effective antibacterial solution to inhibit or kill the growth of bacteria and fungi.



TECHNICAL DATA

PART NUMBER	CM1RD
DESCRIPTION	Socket Outlet Medical, Switched, Power Avail Neon, Circuit ID Provision, 10A, Red
SUPPLY VOLTAGE	250Va.c.
CURRENT RATING	10A
COLOUR	Red
MOUNTING CENTRE	84mm
PLATE SIZE	Standard
SWITCH SIZE	48.5mm x 48.5mm
COMPLIANCE	AS/NZS3133, AS/NZS3112, ISO 22196, AS 1428.1 - Design for access and mobility, Livable Housing Design Guidelines – Switches & Powerpoints (Platinum Level)

DIMENSIONS

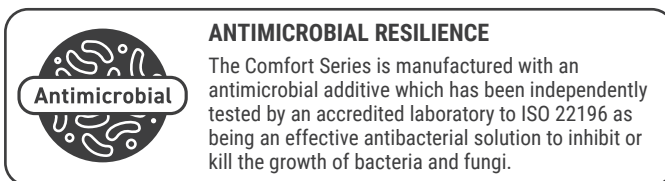


PART NUMBER

CM115RD

MODEL DESCRIPTION

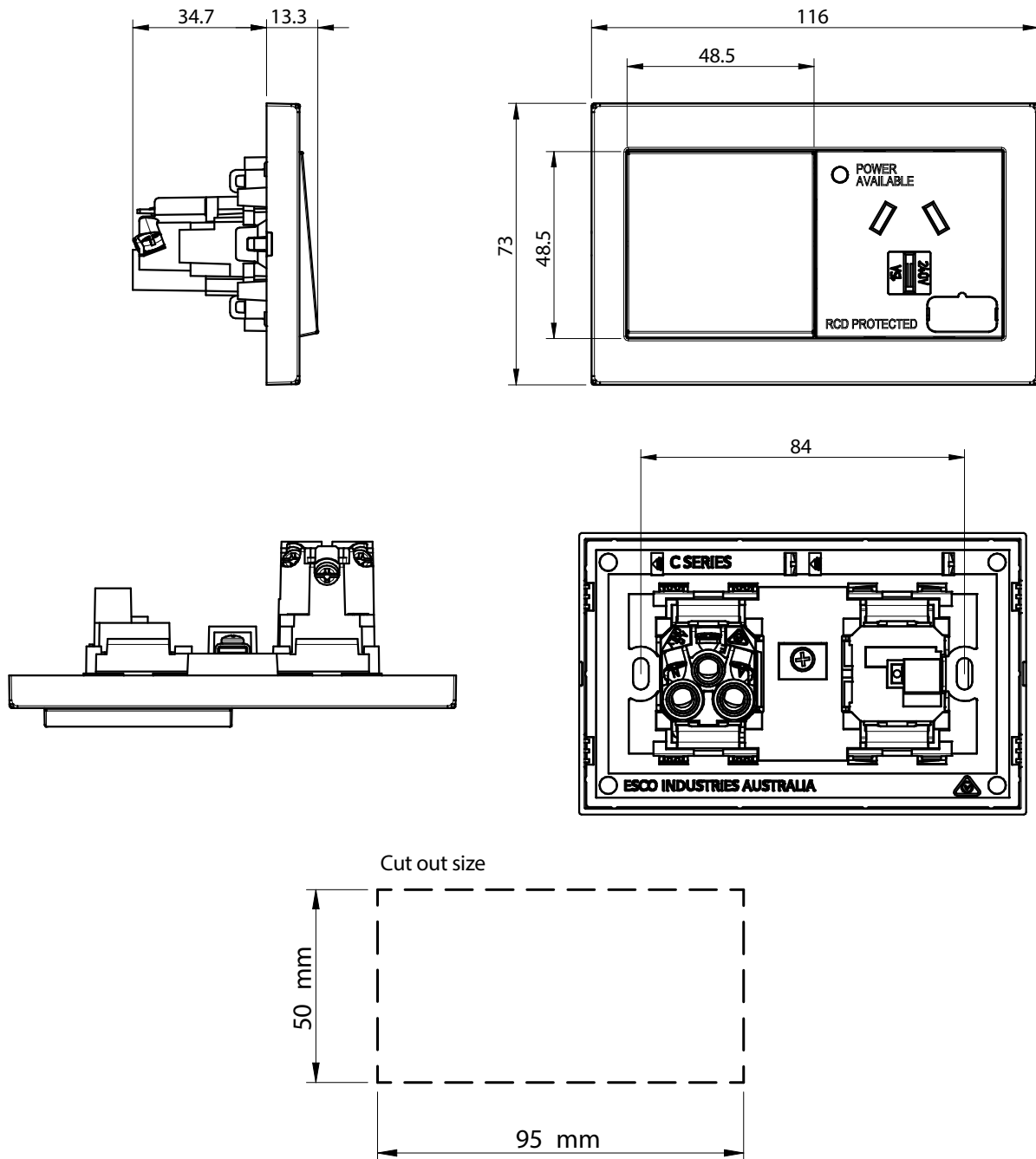
Socket Outlet Medical, Switched, Power Avail Neon, Circuit ID Provision, 15A, Red



TECHNICAL DATA

PART NUMBER	CM115RD
DESCRIPTION	Socket Outlet Medical, Switched, Power Avail Neon, Circuit ID Provision, 15A, Red
SUPPLY VOLTAGE	250Va.c.
CURRENT RATING	15A
COLOUR	Red
MOUNTING CENTRE	84mm
PLATE SIZE	Standard
SWITCH SIZE	48.5mm x 48.5mm
COMPLIANCE	AS/NZS3133, AS/NZS3112, ISO 22196, AS 1428.1 - Design for access and mobility, Livable Housing Design Guidelines – Switches & Powerpoints (Platinum Level)

DIMENSIONS



esco
industries

THE ESCO GROUP OF COMPANIES

esco industries MASRAP **MediTek**

modempak

ESCO INDUSTRIES
89 Egerton St (Cnr Fariola & Egerton)
PO Box 6193, Silverwater
NSW 2128 AUSTRALIA

MODEMPAK NZ
Unit 11/273 Neilson St, Onehunga
AUCKLAND 1061 NEW ZEALAND

T 1300 879 363 F 1300 879 364
customer.service@escoindustries.com.au
www.escoindustries.com.au

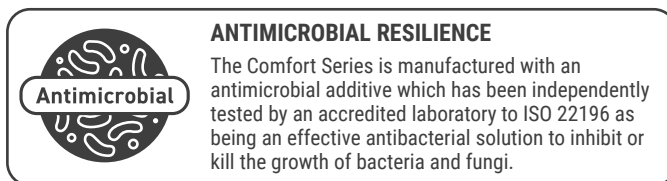
D +64 9 526 1880 **Freecall** 0800 663 367
customer.service@modempak.co.nz
www.modempak.co.nz

PART NUMBER

CMF2WH

MODEL DESCRIPTION

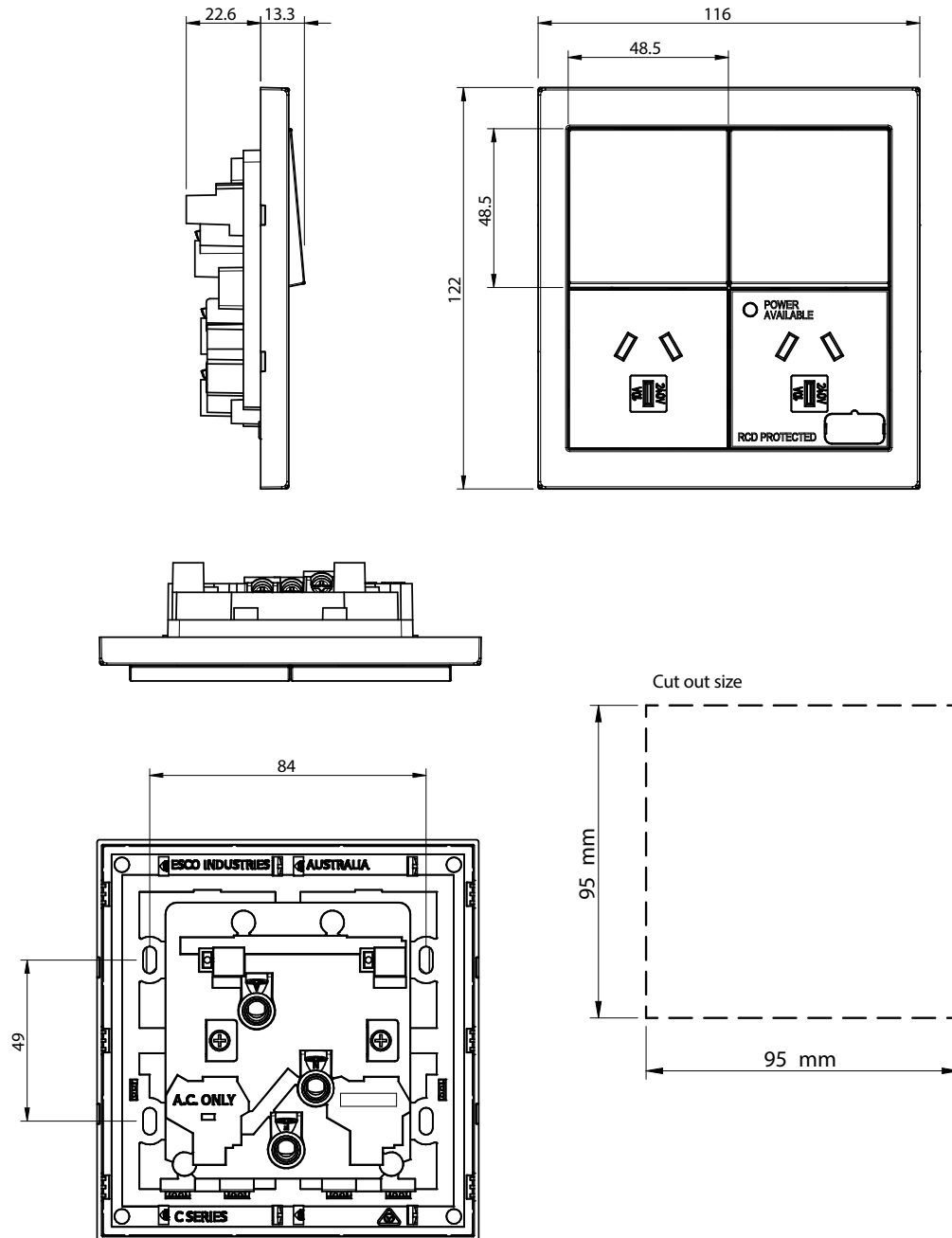
Socket Outlet Medical Full Plate, Double, Switched, Power Avail Neon, Circuit ID Provision, 10A, White



TECHNICAL DATA

PART NUMBER	CMF2WH
DESCRIPTION	Socket Outlet Medical Full Plate, Double, Switched, Power Avail Neon, Circuit ID Provision, 10A, White
SUPPLY VOLTAGE	250Va.c.
CURRENT RATING	10A
COLOUR	White
MOUNTING CENTRE	84mm
PLATE SIZE	Large
SWITCH SIZE	48.5mm x 48.5mm
COMPLIANCE	AS/NZS3133, AS/NZS3112, ISO 22196, AS 1428.1 - Design for access and mobility, Livable Housing Design Guidelines – Switches & Powerpoints (Platinum Level)

DIMENSIONS



esco
industries

THE ESCO GROUP OF COMPANIES

esco MASRAP **MediTek**
industries

modempak

ESCO INDUSTRIES

89 Egerton St (Cnr Fariola & Egerton)
 PO Box 6193, Silverwater
 NSW 2128 AUSTRALIA

T 1300 879 363 F 1300 879 364

customer.service@escoindustries.com.au
 www.escoindustries.com.au

MODEMPAK NZ

Unit 11/273 Neilson St, Onehunga
 AUCKLAND 1061 NEW ZEALAND

D +64 9 526 1880 **Freecall** 0800 663 367


customer.service@modempak.co.nz
 www.modempak.co.nz

PART NUMBER

CMF2RD

MODEL DESCRIPTION

Socket Outlet Medical Full Plate, Double, Switched, Power Avail Neon, Circuit ID Provision, 10A, Red



ANTIMICROBIAL RESILIENCE

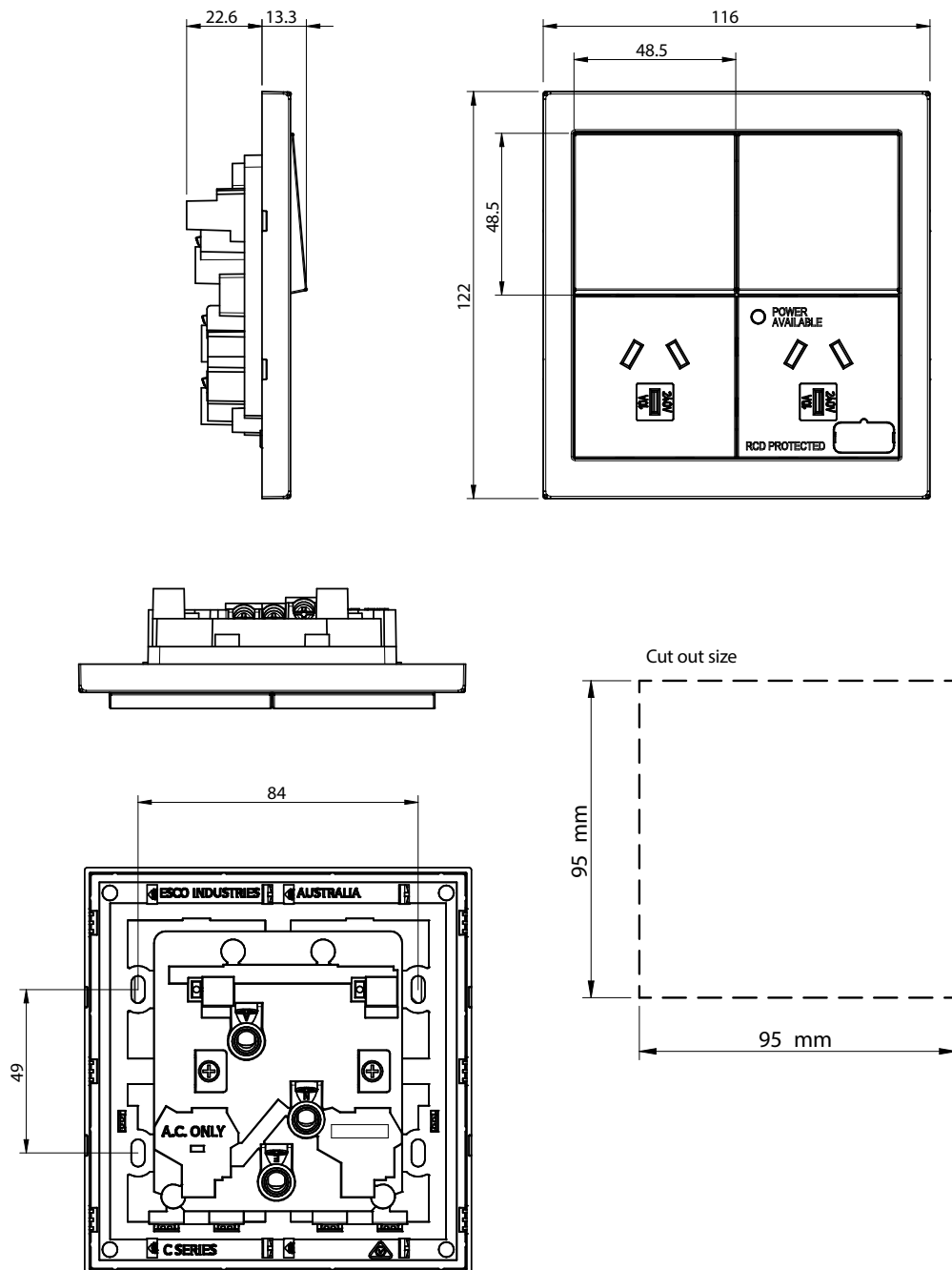
The Comfort Series is manufactured with an antimicrobial additive which has been independently tested by an accredited laboratory to ISO 22196 as being an effective antibacterial solution to inhibit or kill the growth of bacteria and fungi.



TECHNICAL DATA

PART NUMBER	CMF2RD
DESCRIPTION	Socket Outlet Medical Full Plate, Double, Switched, Power Avail Neon, Circuit ID Provision, 10A, Red
SUPPLY VOLTAGE	250Va.c.
CURRENT RATING	10A
COLOUR	Red
MOUNTING CENTRE	84mm
PLATE SIZE	Large
SWITCH SIZE	48.5mm x 48.5mm
COMPLIANCE	AS/NZS3133, AS/NZS3112, ISO 22196, AS 1428.1 - Design for access and mobility, Livable Housing Design Guidelines – Switches & Powerpoints (Platinum Level)

DIMENSIONS



esco
industries

THE ESCO GROUP OF COMPANIES

esco industries MASRAP **MediTek**

modempak

ESCO INDUSTRIES

89 Egerton St (Cnr Fariola & Egerton)
 PO Box 6193, Silverwater
 NSW 2128 AUSTRALIA

T 1300 879 363 F 1300 879 364

customer.service@escoindustries.com.au
 www.escoindustries.com.au

MODEMPAK NZ

Unit 11/273 Neilson St, Onehunga
 AUCKLAND 1061 NEW ZEALAND

D +64 9 526 1880 **Freecall** 0800 663 367

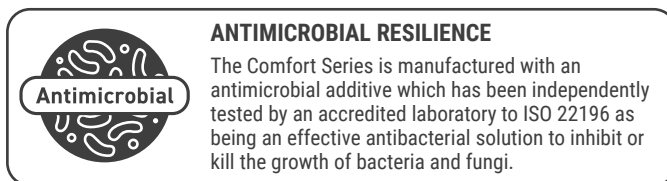
customer.service@modempak.co.nz
 www.modempak.co.nz

PART NUMBER

CM1VWH

MODEL DESCRIPTION

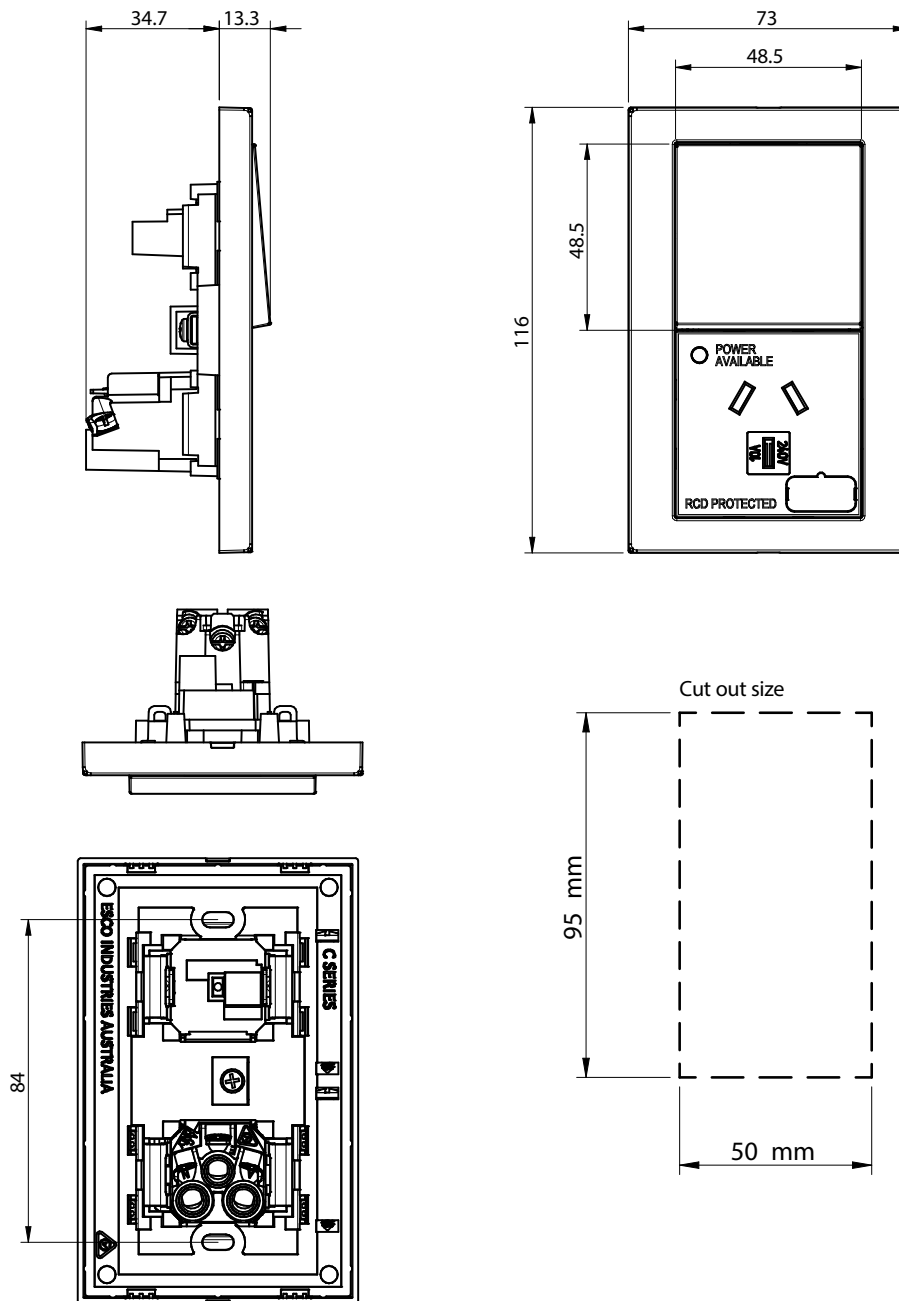
Socket Outlet Medical, Switched, Power Avail Neon, Circuit ID Provision, 10A, Vertical, White



TECHNICAL DATA

PART NUMBER	CM1VWH
DESCRIPTION	Socket Outlet Medical, Switched, Power Avail Neon, Circuit ID Provision, 10A, Vertical, White
SUPPLY VOLTAGE	250Va.c.
CURRENT RATING	10A
COLOUR	White
MOUNTING CENTRE	84mm
PLATE SIZE	Standard
SWITCH SIZE	48.5mm x 48.5mm
COMPLIANCE	AS/NZS3133, AS/NZS3112, ISO 22196, AS 1428.1 - Design for access and mobility, Livable Housing Design Guidelines – Switches & Powerpoints (Platinum Level)

DIMENSIONS



esco
industries

THE ESCO GROUP OF COMPANIES

esco industries MASRAP MediTek

modempak

ESCO INDUSTRIES
89 Egerton St (Cnr Fariola & Egerton)
PO Box 6193, Silverwater
NSW 2128 AUSTRALIA

MODEMPAK NZ
Unit 11/273 Neilson St, Onehunga
AUCKLAND 1061 NEW ZEALAND

T 1300 879 363 F 1300 879 364
customer.service@escoindustries.com.au
www.escoindustries.com.au


D +64 9 526 1880 Freecall 0800 663 367
customer.service@modempak.co.nz
www.modempak.co.nz

PART NUMBER

CM1VRD

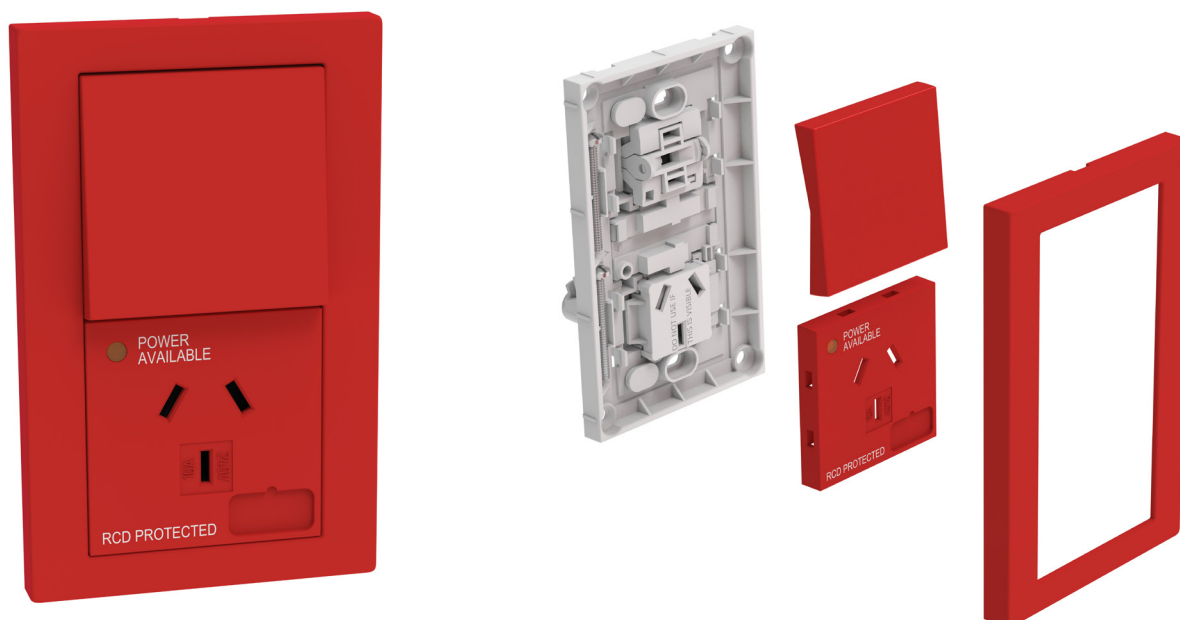
MODEL DESCRIPTION

Socket Outlet Medical, Switched, Power Avail Neon, Circuit ID Provision, 10A, Vertical, Red



ANTIMICROBIAL RESILIENCE

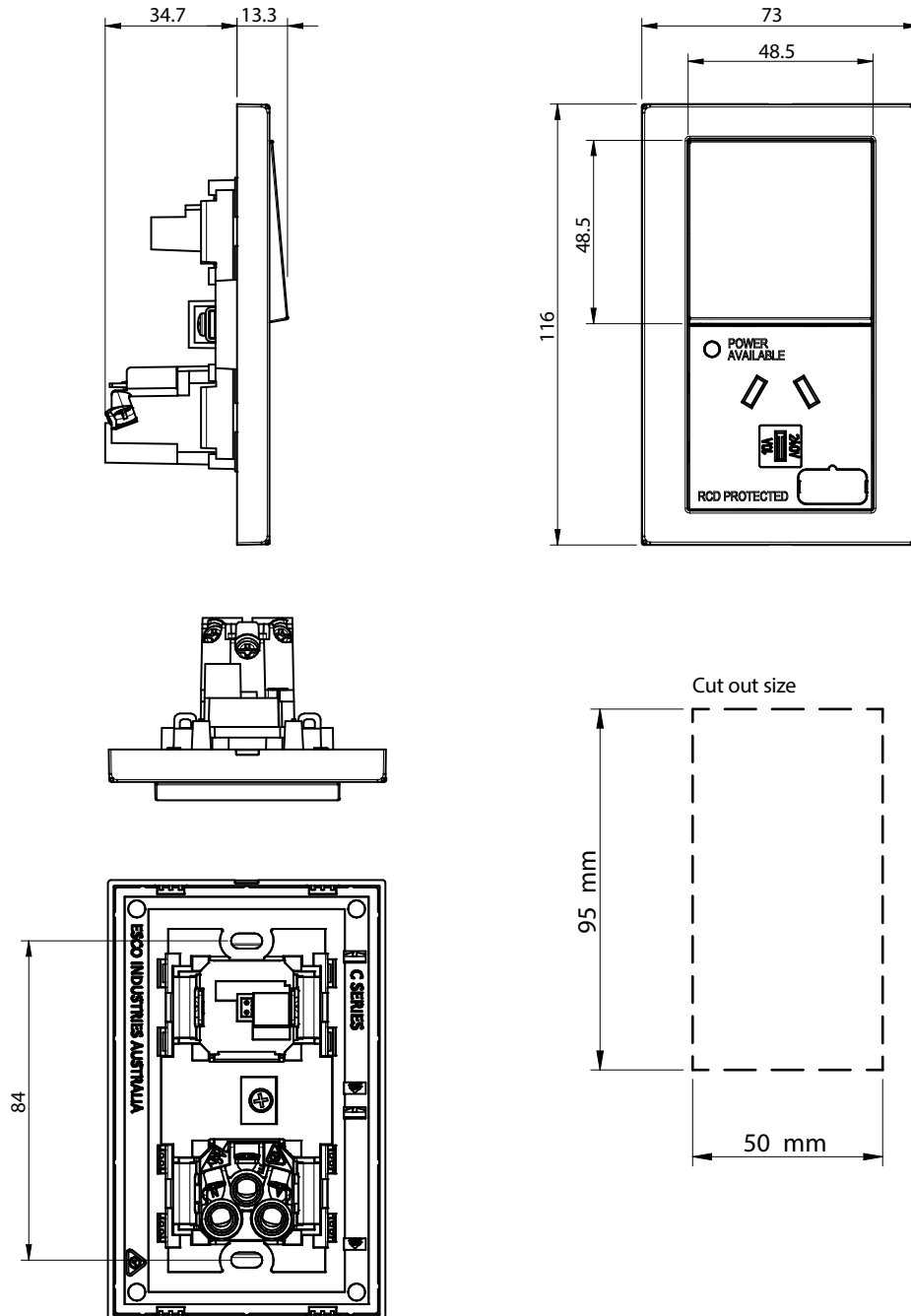
The Comfort Series is manufactured with an antimicrobial additive which has been independently tested by an accredited laboratory to ISO 22196 as being an effective antibacterial solution to inhibit or kill the growth of bacteria and fungi.



TECHNICAL DATA

PART NUMBER	CM1VRD
DESCRIPTION	Socket Outlet Medical, Switched, Power Avail Neon, Circuit ID Provision, 10A, Vertical, Red
SUPPLY VOLTAGE	250Va.c.
CURRENT RATING	10A
COLOUR	Red
MOUNTING CENTRE	84mm
PLATE SIZE	Standard
SWITCH SIZE	48.5mm x 48.5mm
COMPLIANCE	AS/NZS3133, AS/NZS3112, ISO 22196, AS 1428.1 - Design for access and mobility, Livable Housing Design Guidelines – Switches & Powerpoints (Platinum Level)

DIMENSIONS



esco
industries

THE ESCO GROUP OF COMPANIES

esco industries MASRAP **MediTek**

modempak

ESCO INDUSTRIES
 89 Egerton St (Cnr Fariola & Egerton)
 PO Box 6193, Silverwater
 NSW 2128 AUSTRALIA

MODEMPAK NZ
 Unit 11/273 Neilson St, Onehunga
 AUCKLAND 1061 NEW ZEALAND

T 1300 879 363 F 1300 879 364
 customer.service@escoindustries.com.au
 www.escoindustries.com.au

D +64 9 526 1880 **Freecall** 0800 663 367
 customer.service@modempak.co.nz
 www.modempak.co.nz