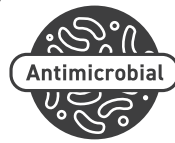


PART NUMBER

CCMF1WH

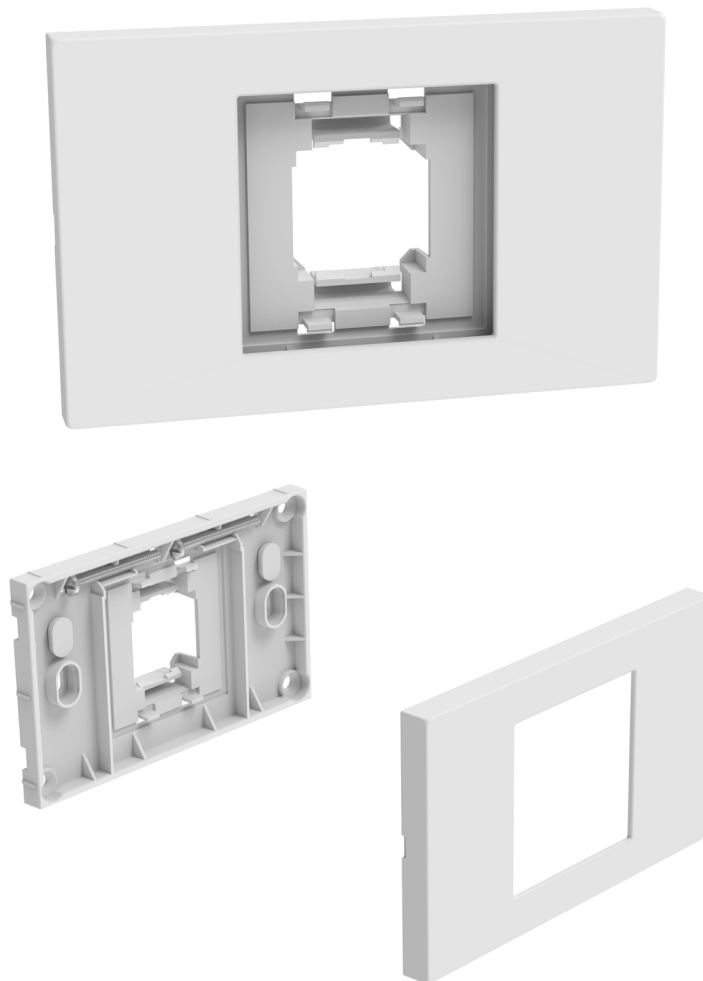
MODEL DESCRIPTION

Cover Plate & Mounting Frame, 1 Gang, White



ANTIMICROBIAL RESILIENCE

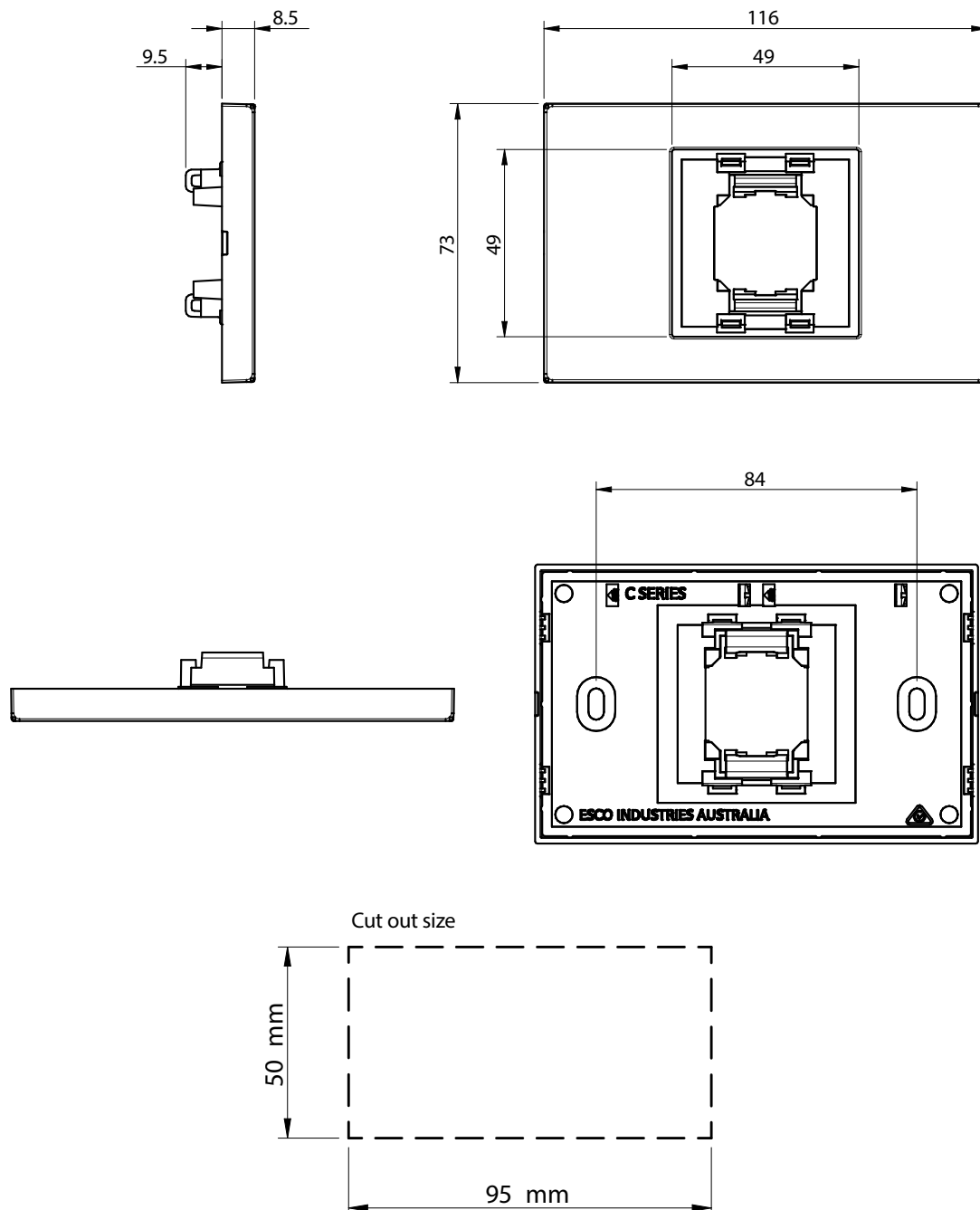
The Comfort Series is manufactured with an antimicrobial additive which has been independently tested by an accredited laboratory to ISO 22196 as being an effective antibacterial solution to inhibit or kill the growth of bacteria and fungi.



TECHNICAL DATA

PART NUMBER	CCMF1WH
DESCRIPTION	Cover Plate & Mounting Frame, 1 Gang, White
SUPPLY VOLTAGE	N/A
CURRENT RATING	N/A
COLOUR	White
MOUNTING CENTRE	N/A
PLATE SIZE	Standard
COMPLIANCE	ISO 22196

DIMENSIONS

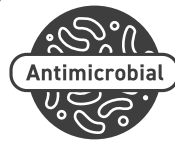


PART NUMBER

CCMF2WH

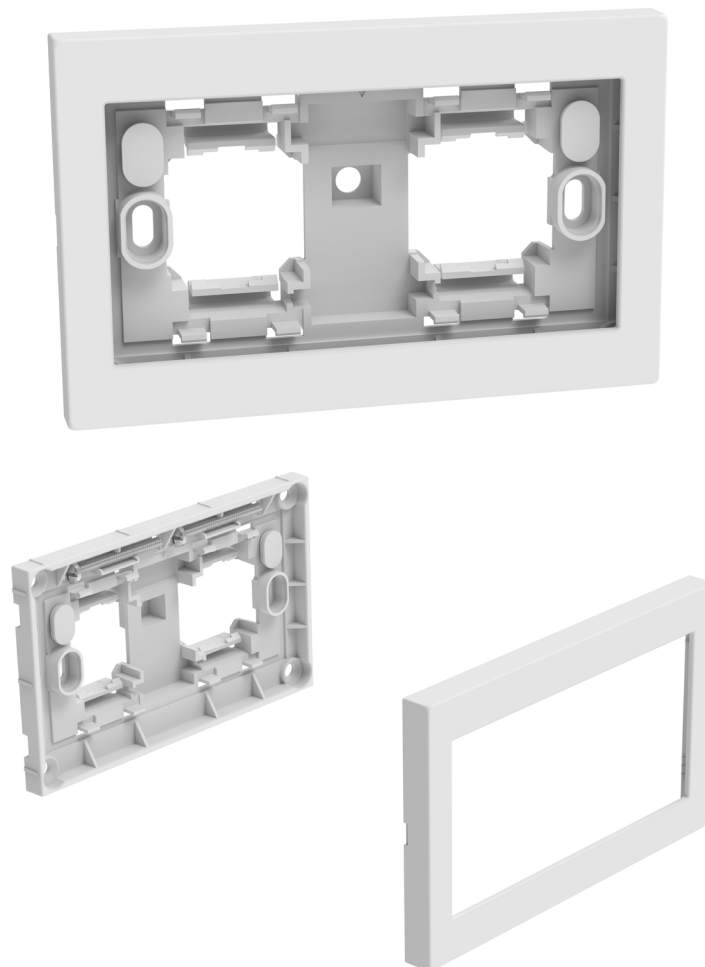
MODEL DESCRIPTION

Cover Plate & Mounting Frame, 2 Gang, White



ANTIMICROBIAL RESILIENCE

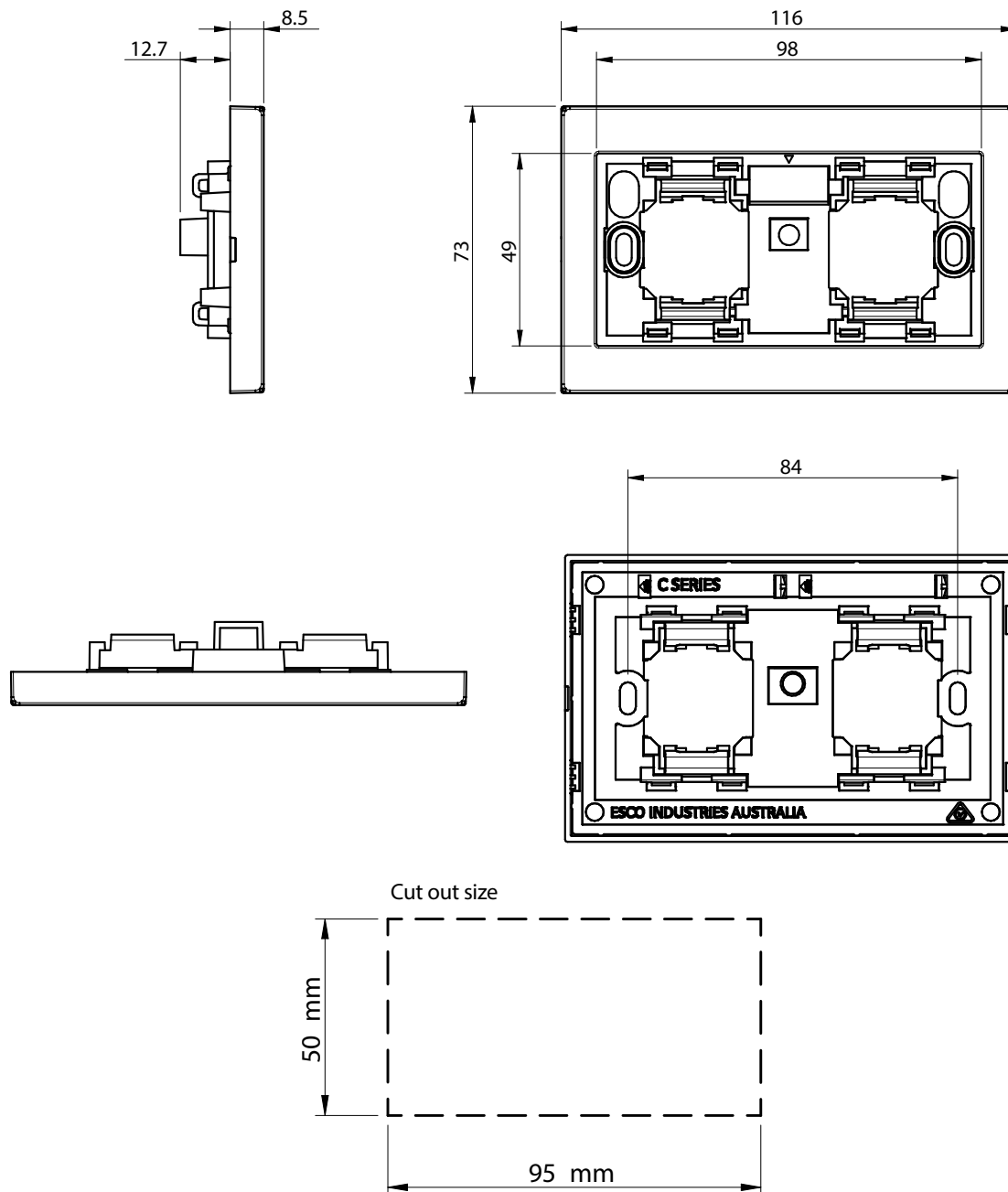
The Comfort Series is manufactured with an antimicrobial additive which has been independently tested by an accredited laboratory to ISO 22196 as being an effective antibacterial solution to inhibit or kill the growth of bacteria and fungi.



TECHNICAL DATA

PART NUMBER	CCMF2WH
DESCRIPTION	Cover Plate & Mounting Frame, 2 Gang, White
SUPPLY VOLTAGE	N/A
CURRENT RATING	N/A
COLOUR	White
MOUNTING CENTRE	N/A
PLATE SIZE	Standard
COMPLIANCE	ISO 22196

DIMENSIONS

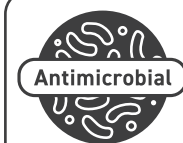


PART NUMBER

CCMFF4WH

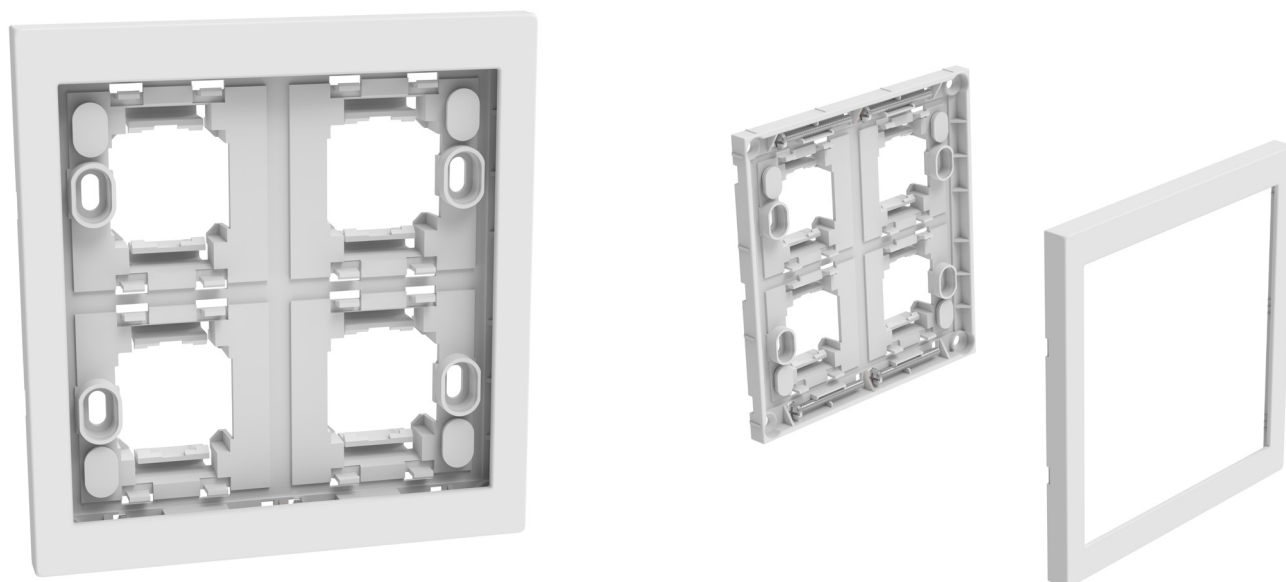
MODEL DESCRIPTION

Cover Plate & Mounting Frame Full Plate, 4 Gang, White



ANTIMICROBIAL RESILIENCE

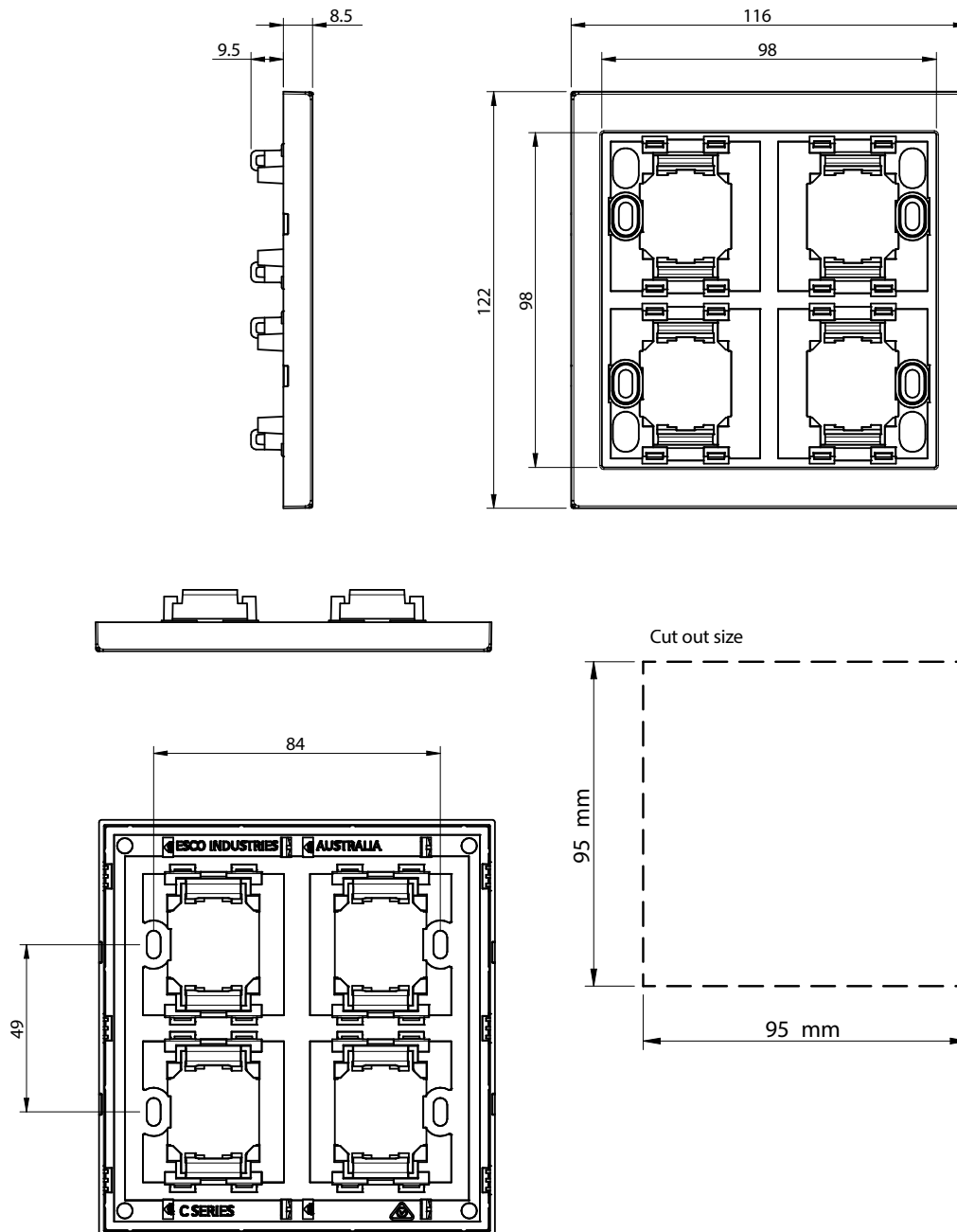
The Comfort Series is manufactured with an antimicrobial additive which has been independently tested by an accredited laboratory to ISO 22196 as being an effective antibacterial solution to inhibit or kill the growth of bacteria and fungi.



TECHNICAL DATA

PART NUMBER	CCMFF4WH
DESCRIPTION	Cover Plate & Mounting Frame Full Plate, 4 Gang, White
SUPPLY VOLTAGE	N/A
CURRENT RATING	N/A
COLOUR	White
MOUNTING CENTRE	N/A
PLATE SIZE	Large
COMPLIANCE	ISO 22196

DIMENSIONS



esco
industries

THE ESCO GROUP OF COMPANIES

esco industries MASRAP **MediTek**

modempak

ESCO INDUSTRIES
89 Egerton St (Cnr Fariola & Egerton)
PO Box 6193, Silverwater
NSW 2128 AUSTRALIA

MODEMPAK NZ
Unit 11/273 Neilson St, Onehunga
AUCKLAND 1061 NEW ZEALAND

T 1300 879 363 **F** 1300 879 364
customer.service@escoindustries.com.au
www.escoindustries.com.au

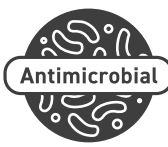
D +64 9 526 1880 **Freecall** 0800 663 367
customer.service@modempak.co.nz
www.modempak.co.nz

PART NUMBER

CCMF2P1WH

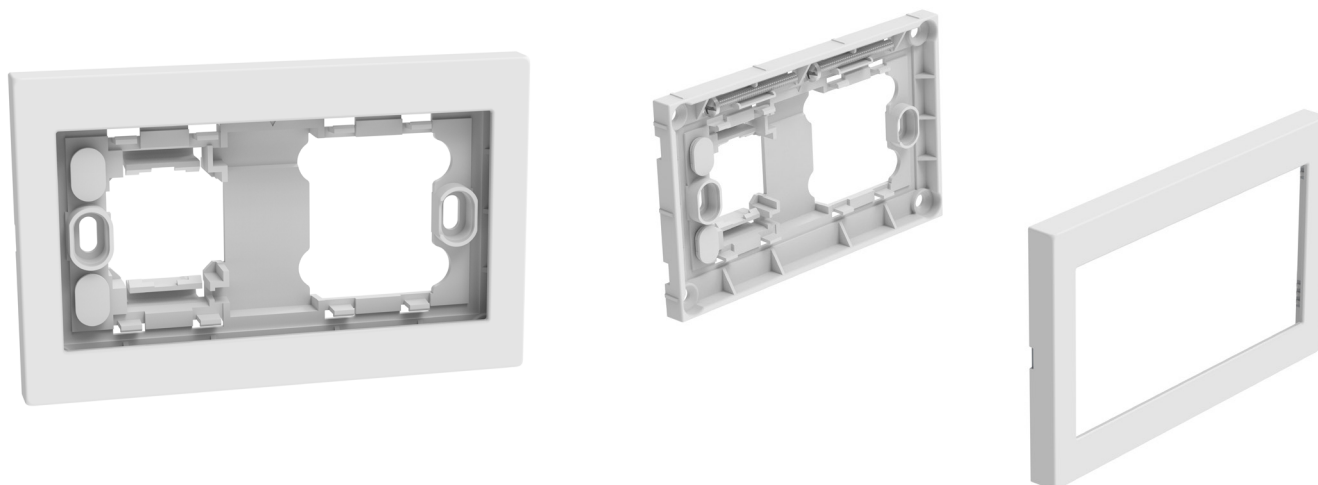
MODEL DESCRIPTION

Cover Plate & Mounting Frame, 2 Gang, Provision to Mount Mech, White



ANTIMICROBIAL RESILIENCE

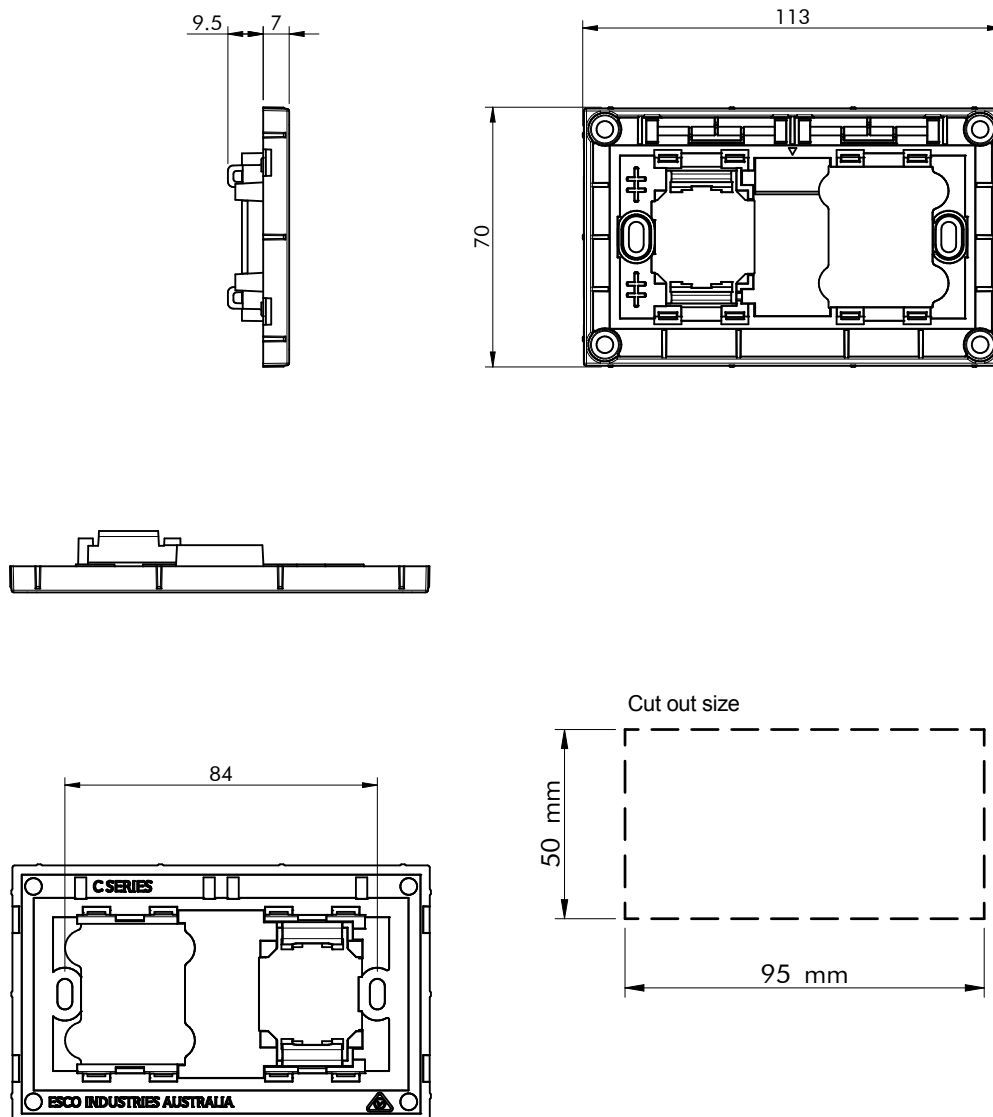
The Comfort Series is manufactured with an antimicrobial additive which has been independently tested by an accredited laboratory to ISO 22196 as being an effective antibacterial solution to inhibit or kill the growth of bacteria and fungi.



TECHNICAL DATA

PART NUMBER	CCMF2P1WH
DESCRIPTION	Cover Plate & Mounting Frame, 2 Gang, Provision to Mount Mech, White
SUPPLY VOLTAGE	N/A
CURRENT RATING	N/A
COLOUR	White
MOUNTING CENTRE	N/A
PLATE SIZE	Standard
COMPLIANCE	ISO 22196

DIMENSIONS

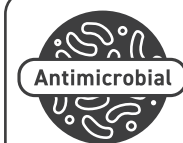


PART NUMBER

CCMFF4P1LHSWH

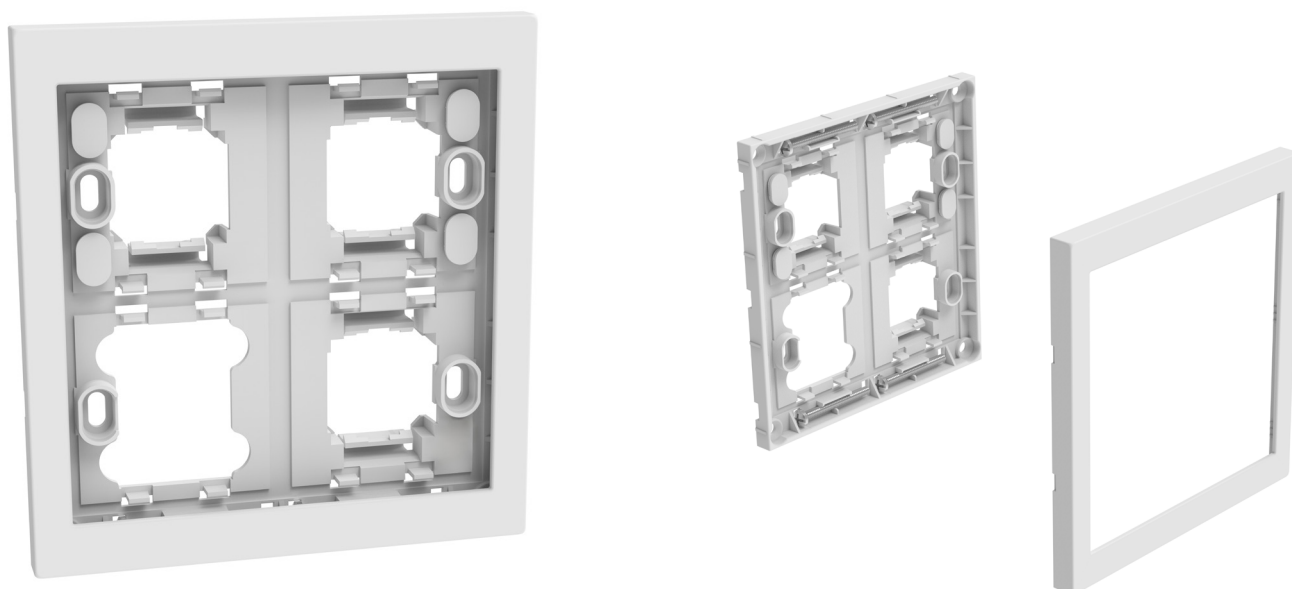
MODEL DESCRIPTION

Cover Plate & Mounting Frame Full Plate, 4 Gang, Provision to Mount Mech LHS, White



ANTIMICROBIAL RESILIENCE

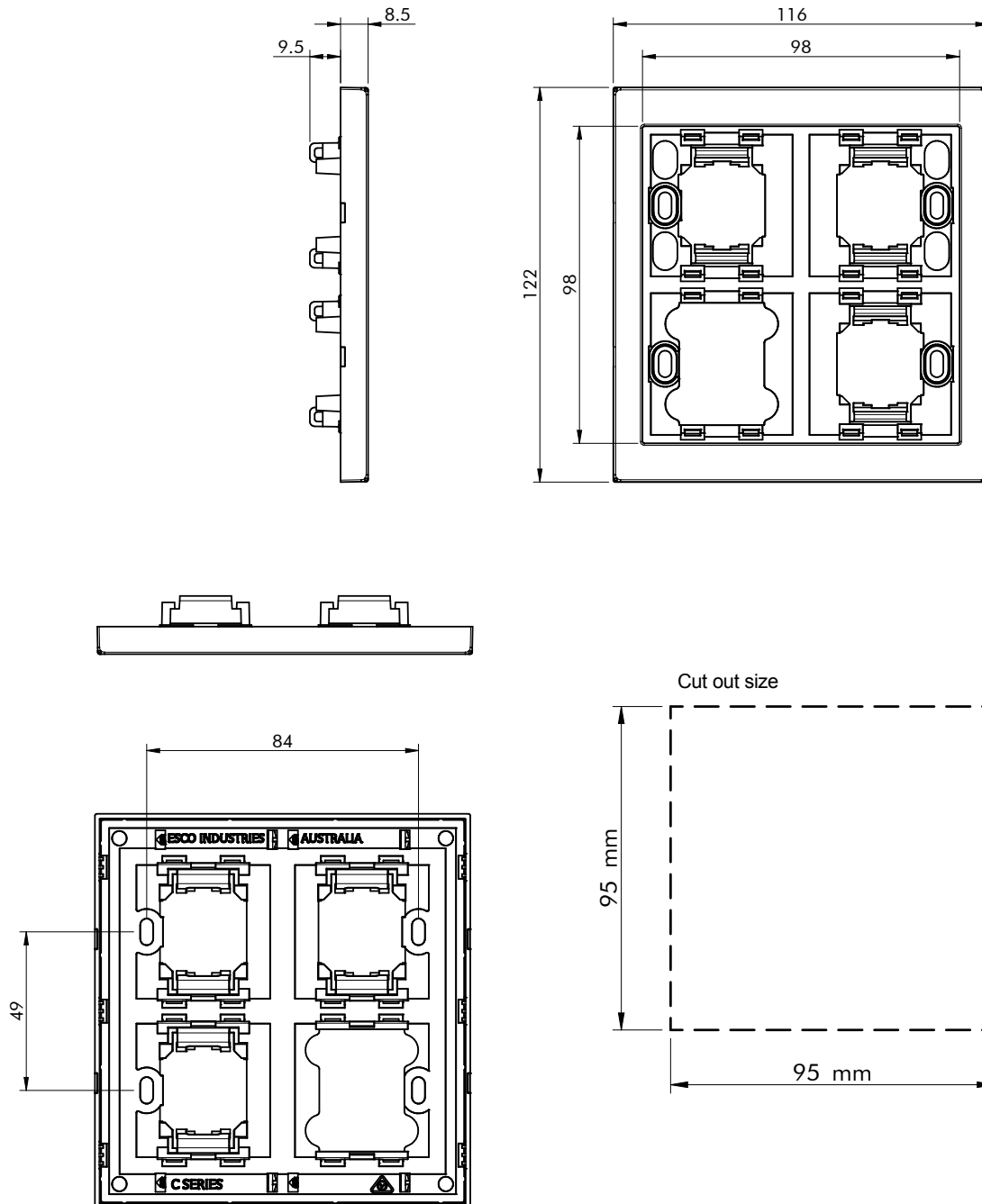
The Comfort Series is manufactured with an antimicrobial additive which has been independently tested by an accredited laboratory to ISO 22196 as being an effective antibacterial solution to inhibit or kill the growth of bacteria and fungi.



TECHNICAL DATA

PART NUMBER	CCMFF4P1LHSWH
DESCRIPTION	Cover Plate & Mounting Frame Full Plate, 4 Gang, Provision to Mount Mech LHS, White
SUPPLY VOLTAGE	N/A
CURRENT RATING	N/A
COLOUR	White
MOUNTING CENTRE	N/A
PLATE SIZE	Large
COMPLIANCE	ISO 22196

DIMENSIONS



esco
industries

THE ESCO GROUP OF COMPANIES

esco MASRAP **MediTek**
industries

modempak

ESCO INDUSTRIES
89 Egerton St (Cnr Fariola & Egerton)
PO Box 6193, Silverwater
NSW 2128 AUSTRALIA

MODEMPAK NZ
Unit 11/273 Neilson St, Onehunga
AUCKLAND 1061 NEW ZEALAND

T 1300 879 363 **F** 1300 879 364
customer.service@escoindustries.com.au
www.escoindustries.com.au


D +64 9 526 1880 **Freecall** 0800 663 367
customer.service@modempak.co.nz
www.modempak.co.nz

PART NUMBER

CCMFF4P1RHSWH

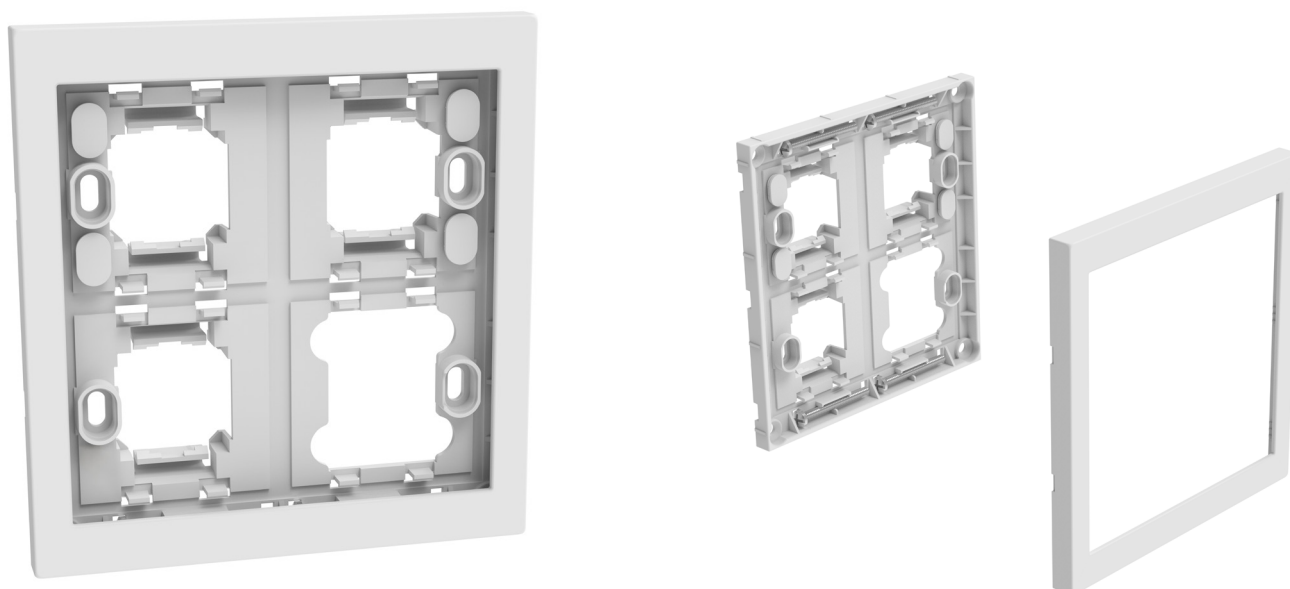
MODEL DESCRIPTION

Cover Plate & Mounting Frame Full Plate, 4 Gang, Provision to Mount Mech RHS, White



ANTIMICROBIAL RESILIENCE

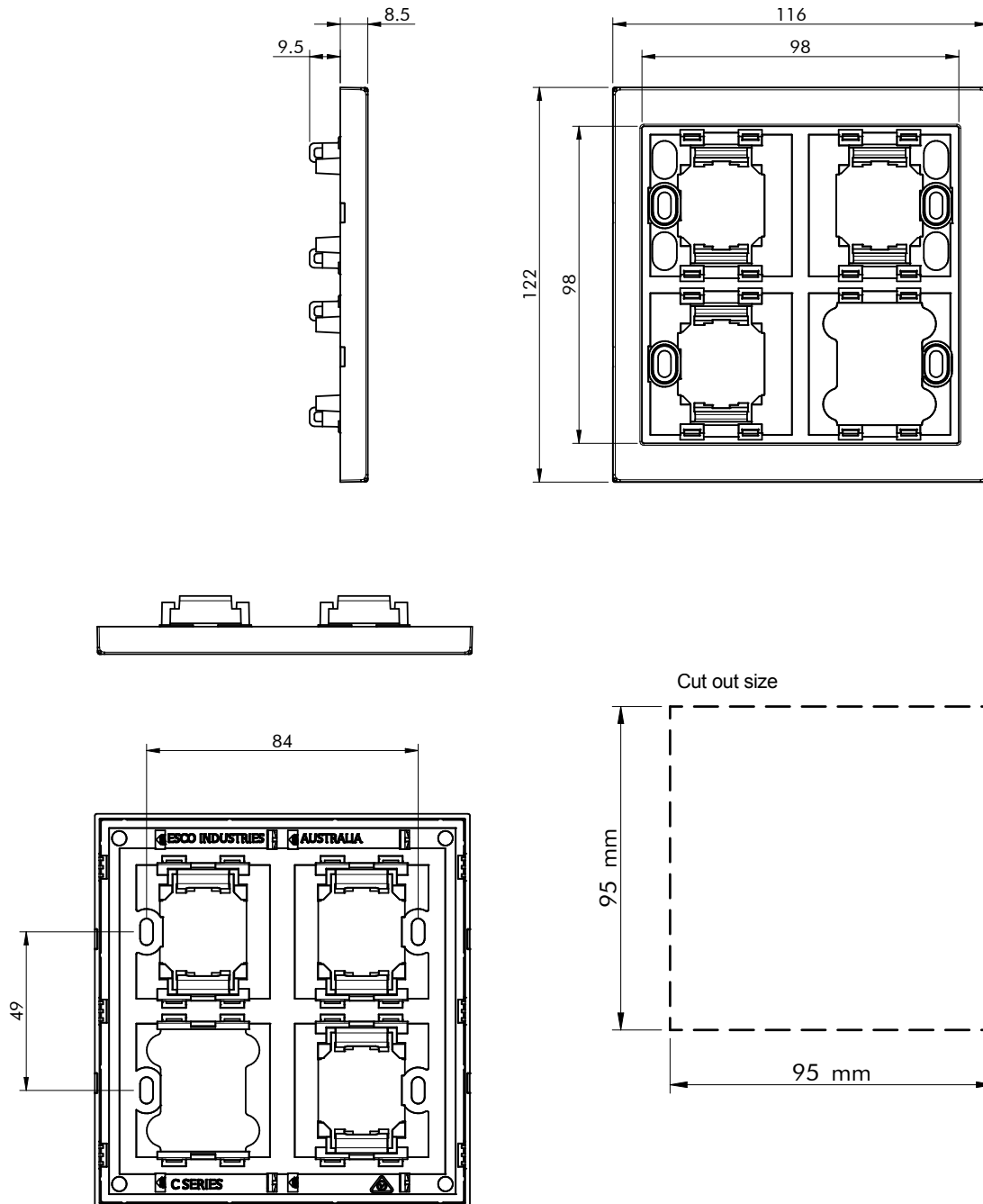
The Comfort Series is manufactured with an antimicrobial additive which has been independently tested by an accredited laboratory to ISO 22196 as being an effective antibacterial solution to inhibit or kill the growth of bacteria and fungi.



TECHNICAL DATA

PART NUMBER	CCMFF4P1RHSWH
DESCRIPTION	Cover Plate & Mounting Frame Full Plate, 4 Gang, Provision to Mount Mech RHS, White
SUPPLY VOLTAGE	N/A
CURRENT RATING	N/A
COLOUR	White
MOUNTING CENTRE	N/A
PLATE SIZE	Large
COMPLIANCE	ISO 22196

DIMENSIONS



esco
industries

THE ESCO GROUP OF COMPANIES

esco industries MASRAP **MediTek**

modempak

ESCO INDUSTRIES
89 Egerton St (Cnr Fariola & Egerton)
PO Box 6193, Silverwater
NSW 2128 AUSTRALIA

MODEMPAK NZ
Unit 11/273 Neilson St, Onehunga
AUCKLAND 1061 NEW ZEALAND

T 1300 879 363 **F** 1300 879 364
customer.service@escoindustries.com.au
www.escoindustries.com.au

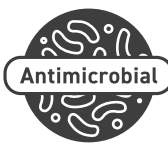
D +64 9 526 1880 **Freecall** 0800 663 367
customer.service@modempak.co.nz
www.modempak.co.nz

PART NUMBER

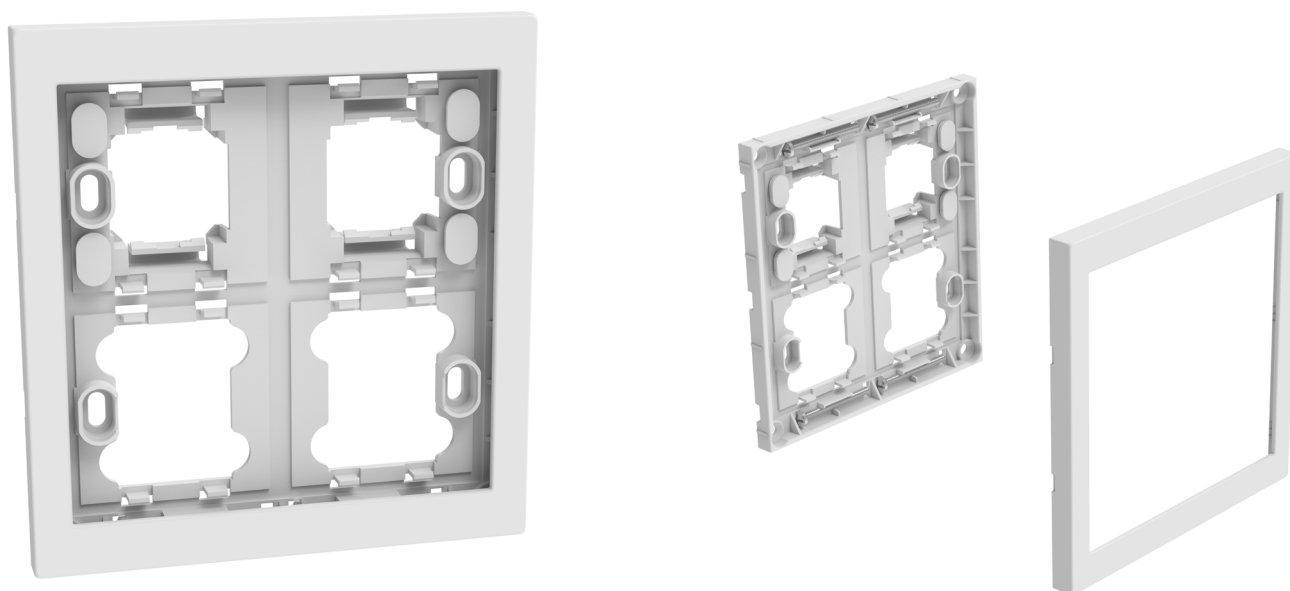
CCMFF4P2WH

MODEL DESCRIPTION

Cover Plate & Mounting Frame Full Plate, 4 Gang, Provision to Mount Mech x2, White



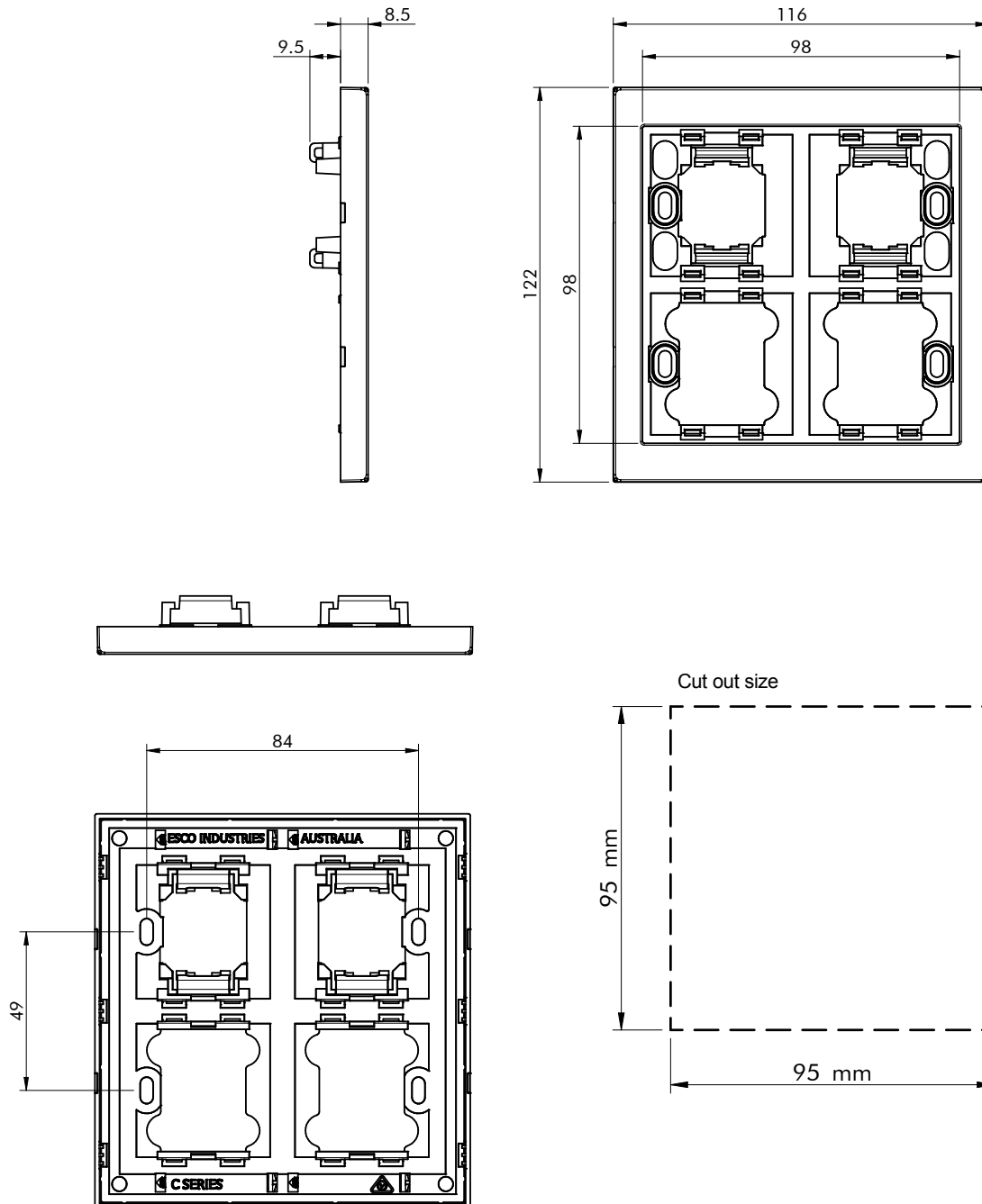
ANTIMICROBIAL RESILIENCE
The Comfort Series is manufactured with an antimicrobial additive which has been independently tested by an accredited laboratory to ISO 22196 as being an effective antibacterial solution to inhibit or kill the growth of bacteria and fungi.



TECHNICAL DATA

PART NUMBER	CCMFF4P2WH
DESCRIPTION	Cover Plate & Mounting Frame Full Plate, 4 Gang, Provision to Mount Mech x2, White
SUPPLY VOLTAGE	N/A
CURRENT RATING	N/A
COLOUR	White
MOUNTING CENTRE	N/A
PLATE SIZE	Large
COMPLIANCE	ISO 22196

DIMENSIONS



esco
industries

THE ESCO GROUP OF COMPANIES

esco industries MASRAP **MediTek**

modempak

ESCO INDUSTRIES
89 Egerton St (Cnr Fariola & Egerton)
PO Box 6193, Silverwater
NSW 2128 AUSTRALIA

MODEMPAK NZ
Unit 11/273 Neilson St, Onehunga
AUCKLAND 1061 NEW ZEALAND

T 1300 879 363 **F** 1300 879 364
customer.service@escoindustries.com.au
www.escoindustries.com.au

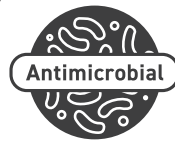
D +64 9 526 1880 **Freecall** 0800 663 367
customer.service@modempak.co.nz
www.modempak.co.nz

PART NUMBER

CCF4WH

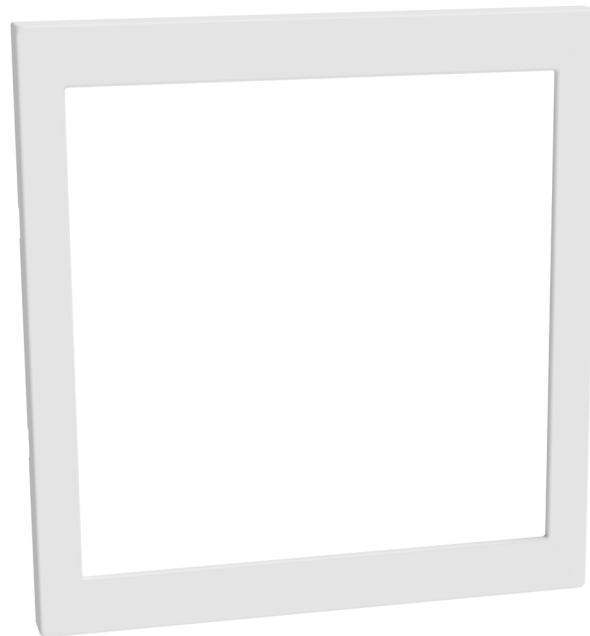
MODEL DESCRIPTION

Cover Plate Full Plate, 4 Gang, White



ANTIMICROBIAL RESILIENCE

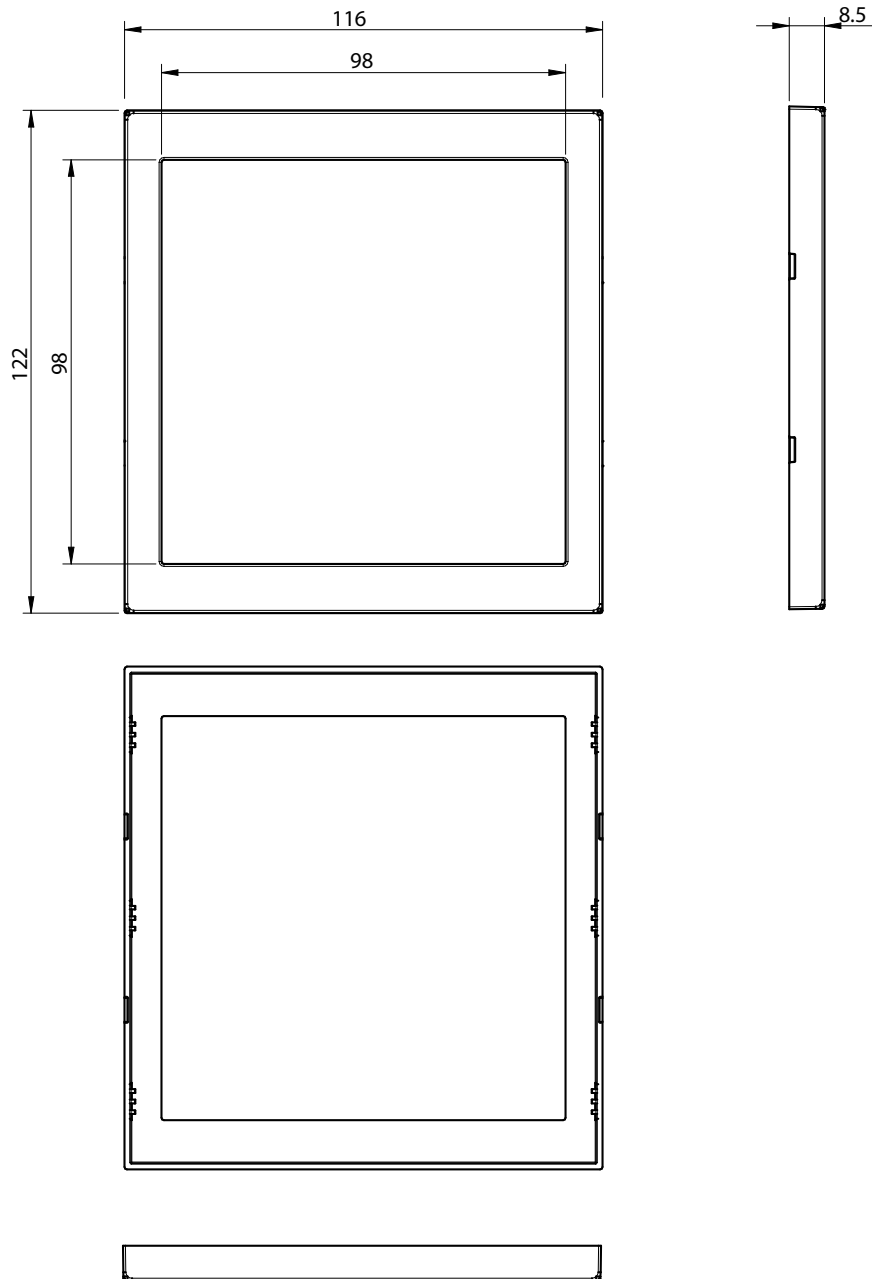
The Comfort Series is manufactured with an antimicrobial additive which has been independently tested by an accredited laboratory to ISO 22196 as being an effective antibacterial solution to inhibit or kill the growth of bacteria and fungi.



TECHNICAL DATA

PART NUMBER	CCF4WH
DESCRIPTION	Cover Plate Full Plate, 4 Gang, White
SUPPLY VOLTAGE	N/A
CURRENT RATING	N/A
COLOUR	White
MOUNTING CENTRE	N/A
PLATE SIZE	Large
COMPLIANCE	ISO 22196

DIMENSIONS



esco
industries

THE ESCO GROUP OF COMPANIES

esco industries MASRAP MediTek

modempak

ESCO INDUSTRIES
89 Egerton St (Cnr Fariola & Egerton)
PO Box 6193, Silverwater
NSW 2128 AUSTRALIA

MODEMPAK NZ
Unit 11/273 Neilson St, Onehunga
AUCKLAND 1061 NEW ZEALAND

T 1300 879 363 **F** 1300 879 364
customer.service@escoindustries.com.au
www.escoindustries.com.au

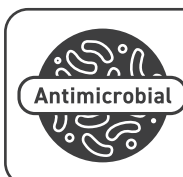
D +64 9 526 1880 **Freecall** 0800 663 367
customer.service@modempak.co.nz
www.modempak.co.nz

PART NUMBER

CMTFF4

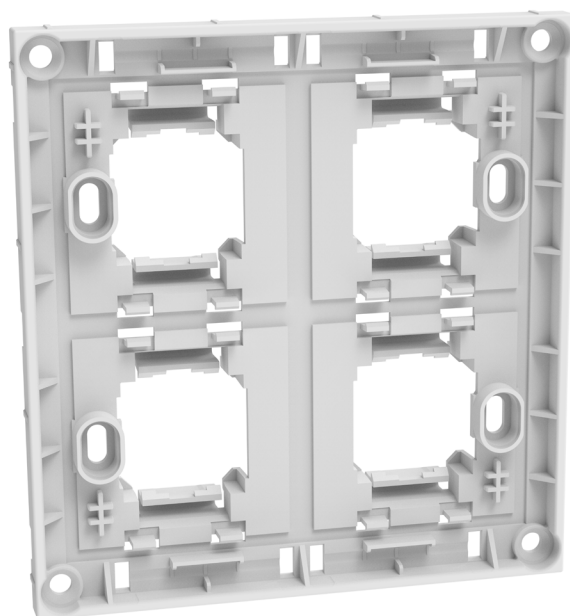
MODEL DESCRIPTION

Mounting Frame Full Plate, 4 Gang



ANTIMICROBIAL RESILIENCE

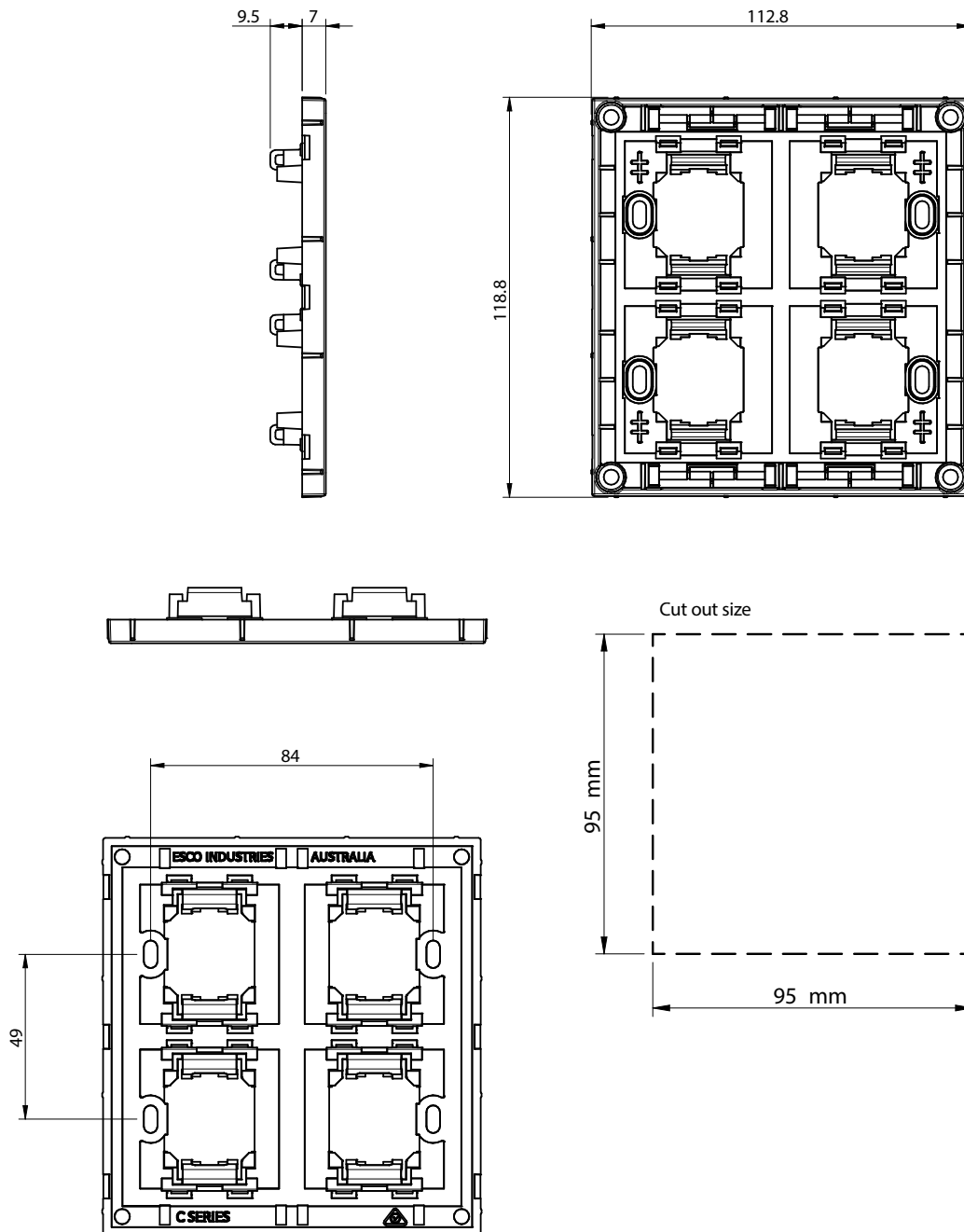
The Comfort Series is manufactured with an antimicrobial additive which has been independently tested by an accredited laboratory to ISO 22196 as being an effective antibacterial solution to inhibit or kill the growth of bacteria and fungi.



TECHNICAL DATA

PART NUMBER	CMTFF4
DESCRIPTION	Mounting Frame Full Plate, 4 Gang
SUPPLY VOLTAGE	N/A
CURRENT RATING	N/A
COLOUR	NA
MOUNTING CENTRE	84mm
PLATE SIZE	Large
COMPLIANCE	N/A

DIMENSIONS



esco
industries

THE ESCO GROUP OF COMPANIES

esco industries MASRAP **MediTek**

modempak

ESCO INDUSTRIES
89 Egerton St (Cnr Fariola & Egerton)
PO Box 6193, Silverwater
NSW 2128 AUSTRALIA

MODEMPAK NZ
Unit 11/273 Neilson St, Onehunga
AUCKLAND 1061 NEW ZEALAND

T 1300 879 363 **F** 1300 879 364
customer.service@escoindustries.com.au
www.escoindustries.com.au

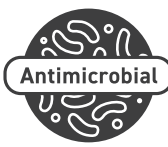
D +64 9 526 1880 **Freecall** 0800 663 367
customer.service@modempak.co.nz
www.modempak.co.nz

PART NUMBER

CCMFF4WH

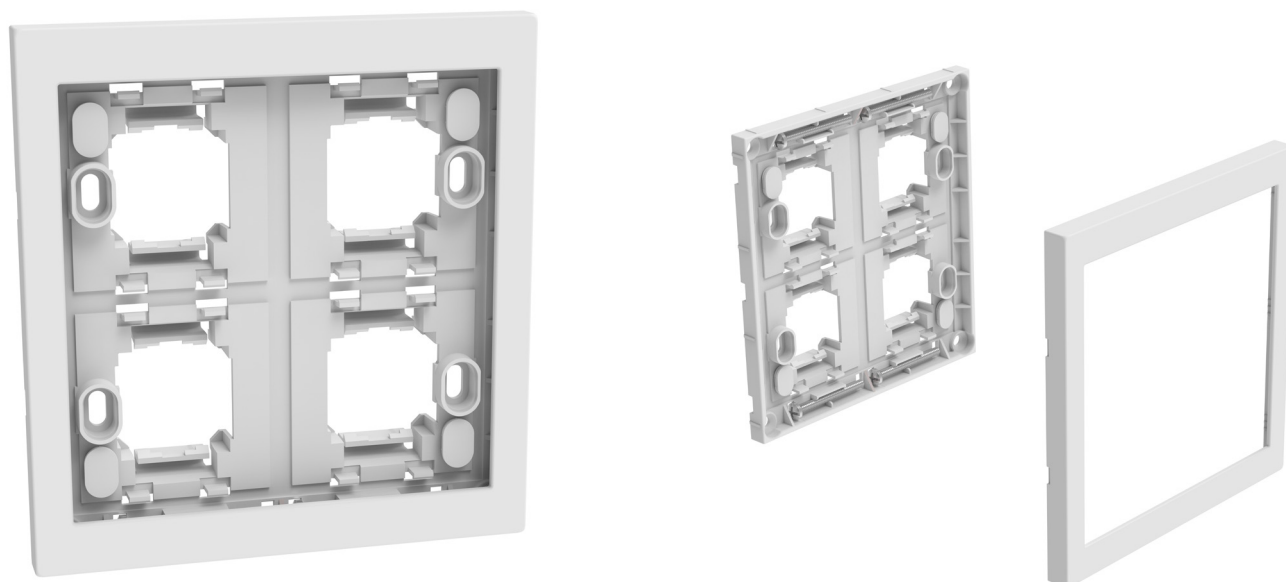
MODEL DESCRIPTION

Cover Plate & Mounting Frame Full Plate, 4 Gang, White



ANTIMICROBIAL RESILIENCE

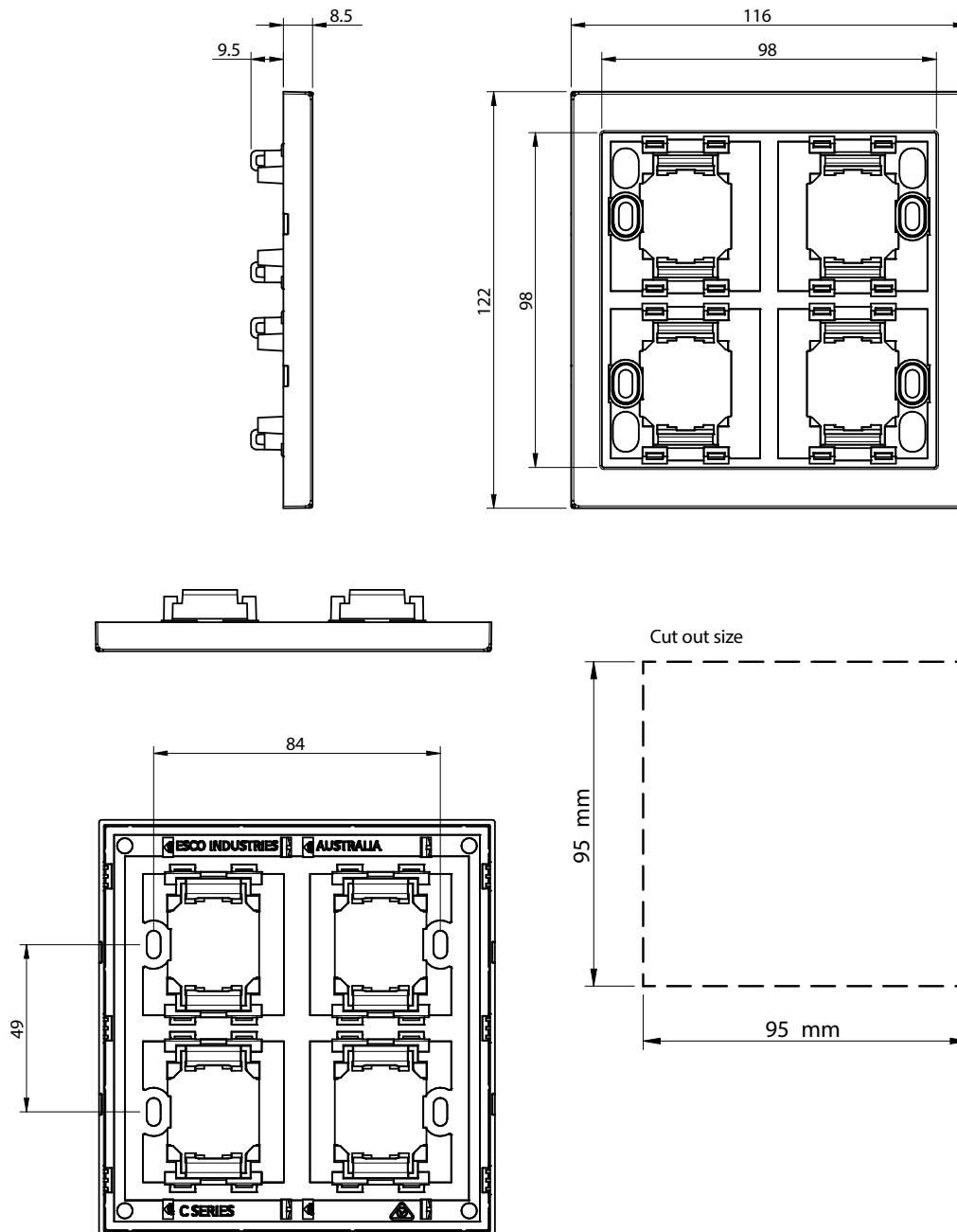
The Comfort Series is manufactured with an antimicrobial additive which has been independently tested by an accredited laboratory to ISO 22196 as being an effective antibacterial solution to inhibit or kill the growth of bacteria and fungi.



TECHNICAL DATA

PART NUMBER	CCMFF4WH
DESCRIPTION	Cover Plate & Mounting Frame Full Plate, 4 Gang, White
SUPPLY VOLTAGE	N/A
CURRENT RATING	N/A
COLOUR	White
MOUNTING CENTRE	N/A
PLATE SIZE	Large
COMPLIANCE	ISO 22196

DIMENSIONS



esco
industries

THE ESCO GROUP OF COMPANIES

esco industries MASRAP **MediTek**

modempak

ESCO INDUSTRIES
89 Egerton St (Cnr Fariola & Egerton)
PO Box 6193, Silverwater
NSW 2128 AUSTRALIA

MODEMPAK NZ
Unit 11/273 Neilson St, Onehunga
AUCKLAND 1061 NEW ZEALAND

T 1300 879 363 **F** 1300 879 364
customer.service@escoindustries.com.au
www.escoindustries.com.au

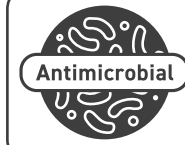
D +64 9 526 1880 **Freecall** 0800 663 367
customer.service@modempak.co.nz
www.modempak.co.nz

PART NUMBER

CMTF1

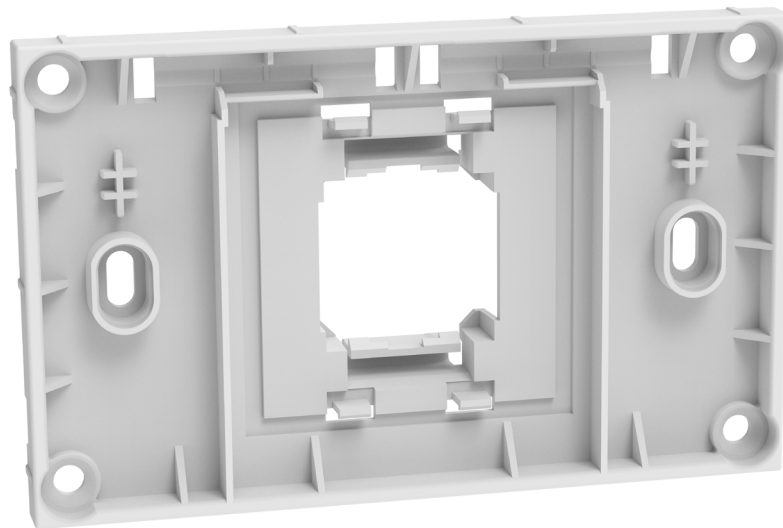
MODEL DESCRIPTION

Mounting Frame, 1 Gang



ANTIMICROBIAL RESILIENCE

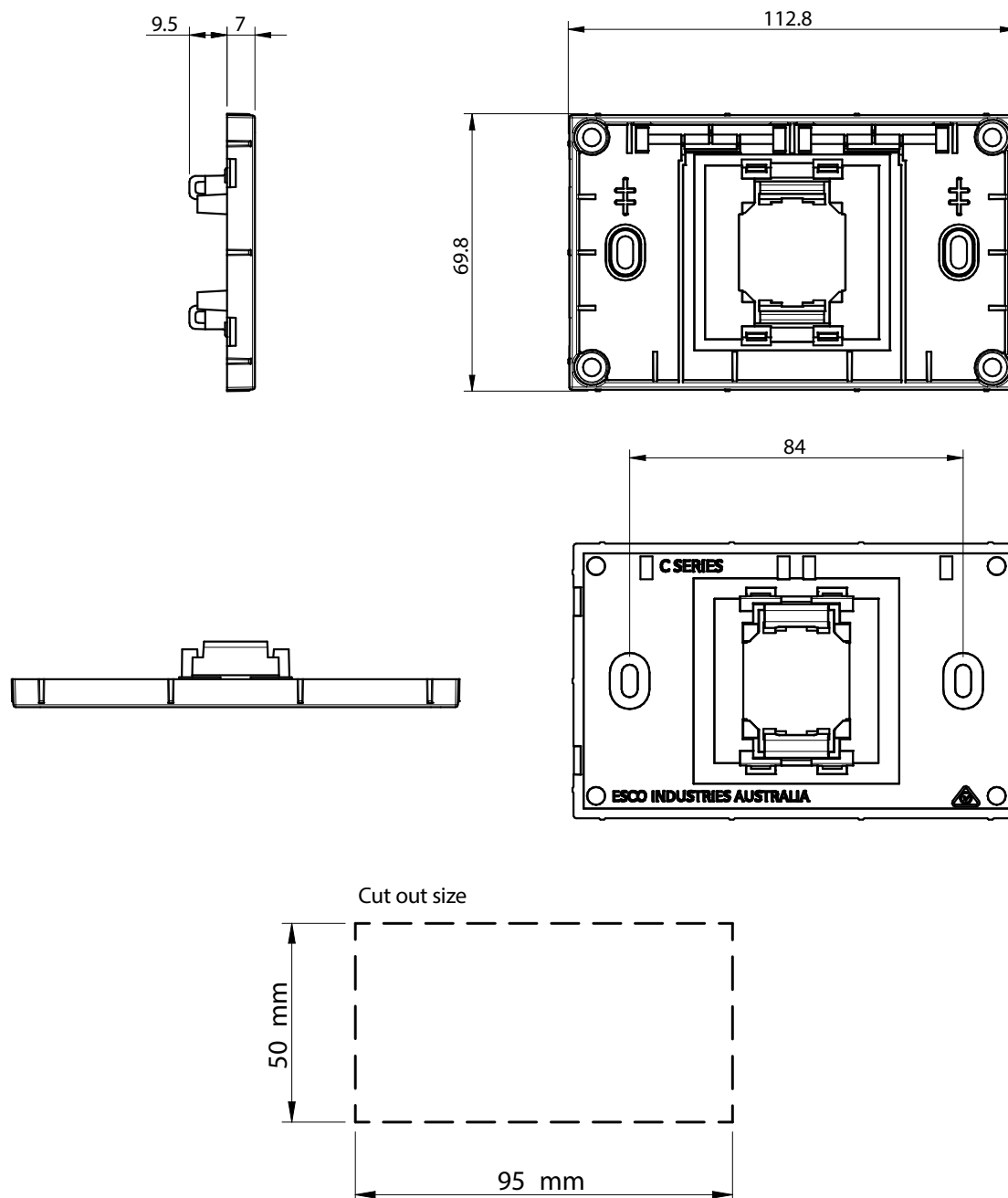
The Comfort Series is manufactured with an antimicrobial additive which has been independently tested by an accredited laboratory to ISO 22196 as being an effective antibacterial solution to inhibit or kill the growth of bacteria and fungi.



TECHNICAL DATA

PART NUMBER	CMTF1
DESCRIPTION	Mounting Frame, 1 Gang
SUPPLY VOLTAGE	N/A
CURRENT RATING	N/A
COLOUR	NA
MOUNTING CENTRE	84mm
PLATE SIZE	Standard
COMPLIANCE	N/A

DIMENSIONS

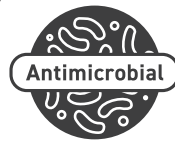


PART NUMBER

CMTF2

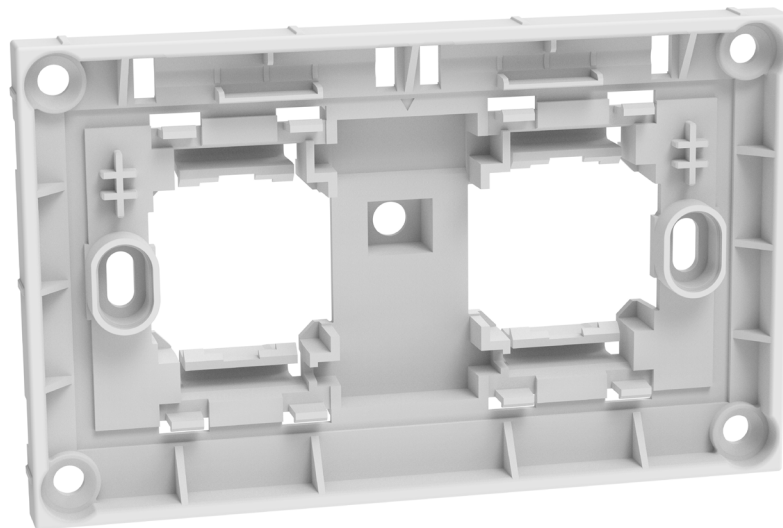
MODEL DESCRIPTION

Mounting Frame, 2 Gang



ANTIMICROBIAL RESILIENCE

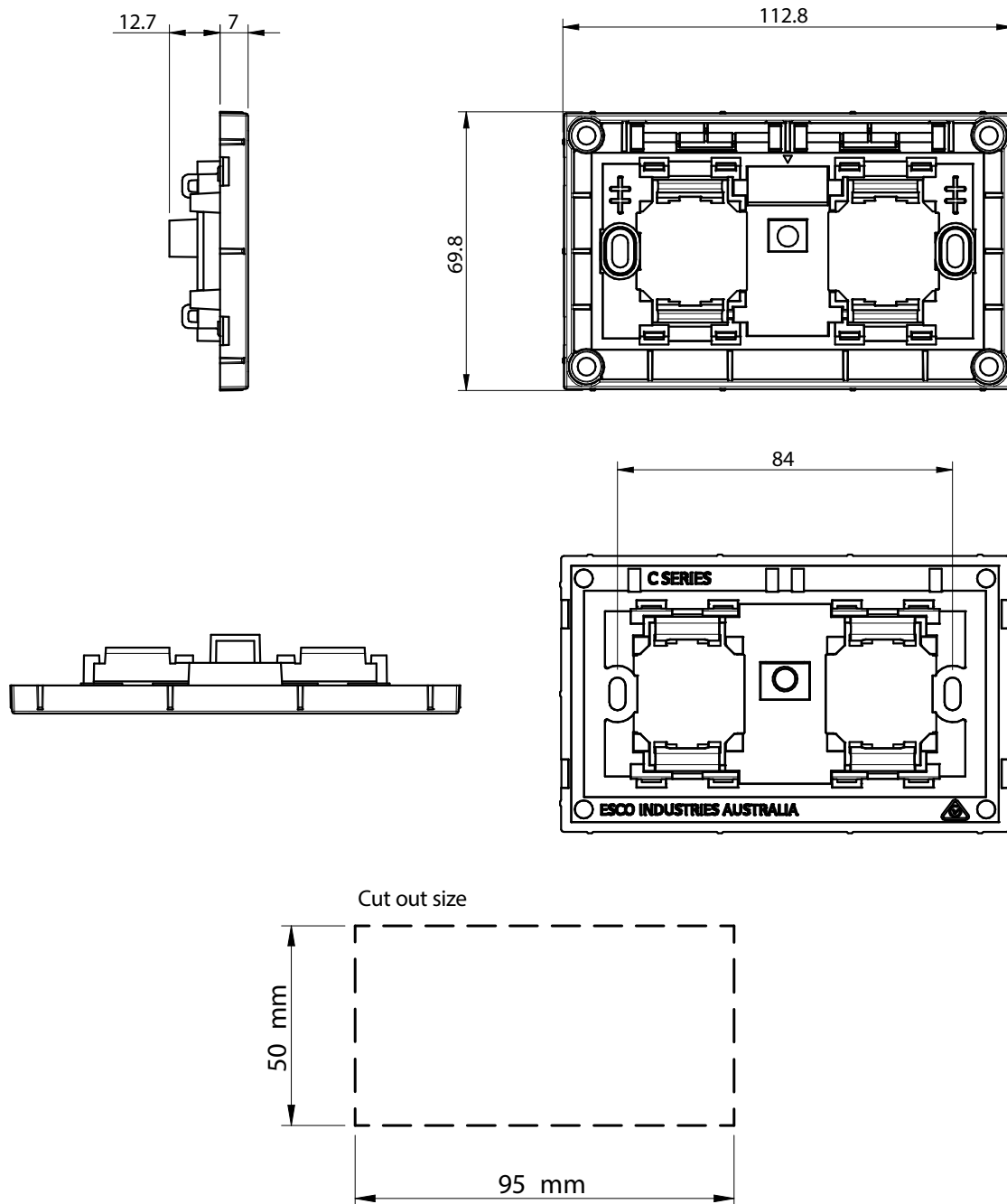
The Comfort Series is manufactured with an antimicrobial additive which has been independently tested by an accredited laboratory to ISO 22196 as being an effective antibacterial solution to inhibit or kill the growth of bacteria and fungi.



TECHNICAL DATA

PART NUMBER	CMTF2
DESCRIPTION	Mounting Frame, 2 Gang
SUPPLY VOLTAGE	N/A
CURRENT RATING	N/A
COLOUR	NA
MOUNTING CENTRE	84mm
PLATE SIZE	Standard
COMPLIANCE	N/A

DIMENSIONS



esco
industries

THE ESCO GROUP OF COMPANIES

esco industries MASRAP **MediTek**

modempak

ESCO INDUSTRIES
89 Egerton St (Cnr Fariola & Egerton)
PO Box 6193, Silverwater
NSW 2128 AUSTRALIA

MODEMPAK NZ
Unit 11/273 Neilson St, Onehunga
AUCKLAND 1061 NEW ZEALAND

T 1300 879 363 F 1300 879 364
customer.service@escoindustries.com.au
www.escoindustries.com.au


D +64 9 526 1880 Freecall 0800 663 367
customer.service@modempak.co.nz
www.modempak.co.nz

PART NUMBER

CMTFSD2

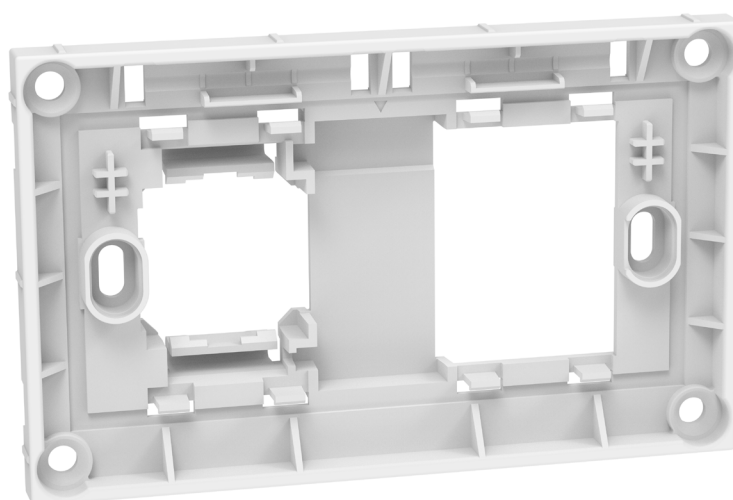
MODEL DESCRIPTION

Mounting Frame for Switch/Dimmer assembly, 2 Gang



ANTIMICROBIAL RESILIENCE

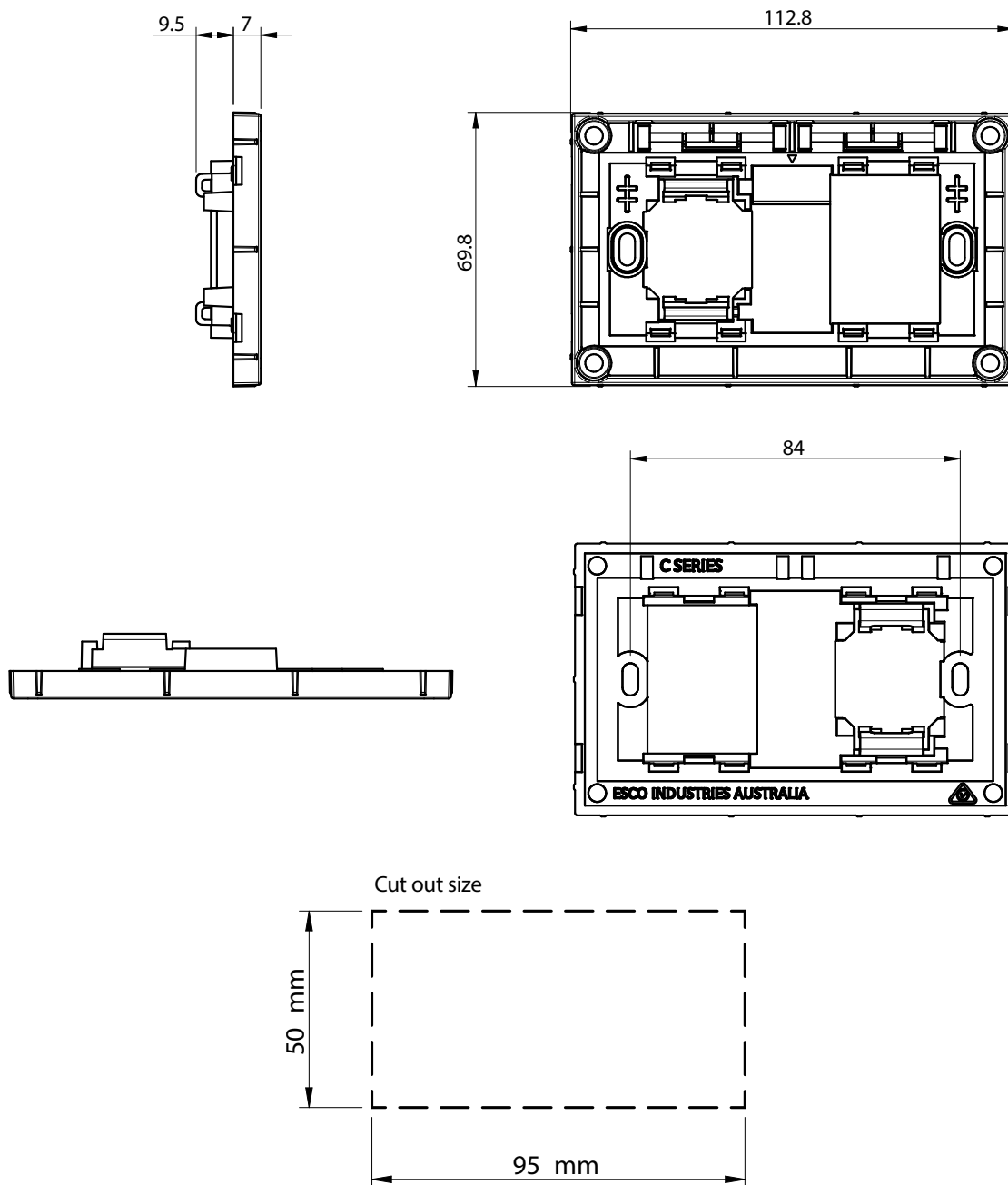
The Comfort Series is manufactured with an antimicrobial additive which has been independently tested by an accredited laboratory to ISO 22196 as being an effective antibacterial solution to inhibit or kill the growth of bacteria and fungi.



TECHNICAL DATA

PART NUMBER	CMTFSD2
DESCRIPTION	Mounting Frame for Switch/Dimmer assembly, 2 Gang
SUPPLY VOLTAGE	N/A
CURRENT RATING	N/A
COLOUR	NA
MOUNTING CENTRE	84mm
PLATE SIZE	Standard
COMPLIANCE	N/A

DIMENSIONS

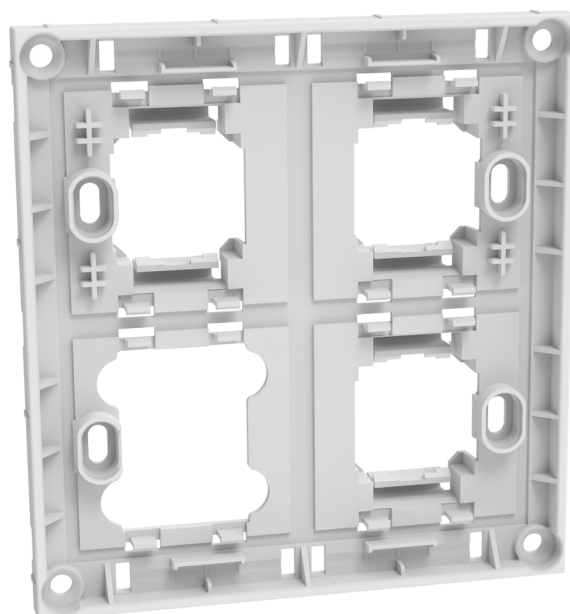
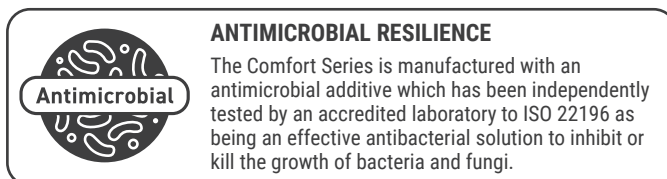


PART NUMBER

CMTFF4P1LHS

MODEL DESCRIPTION

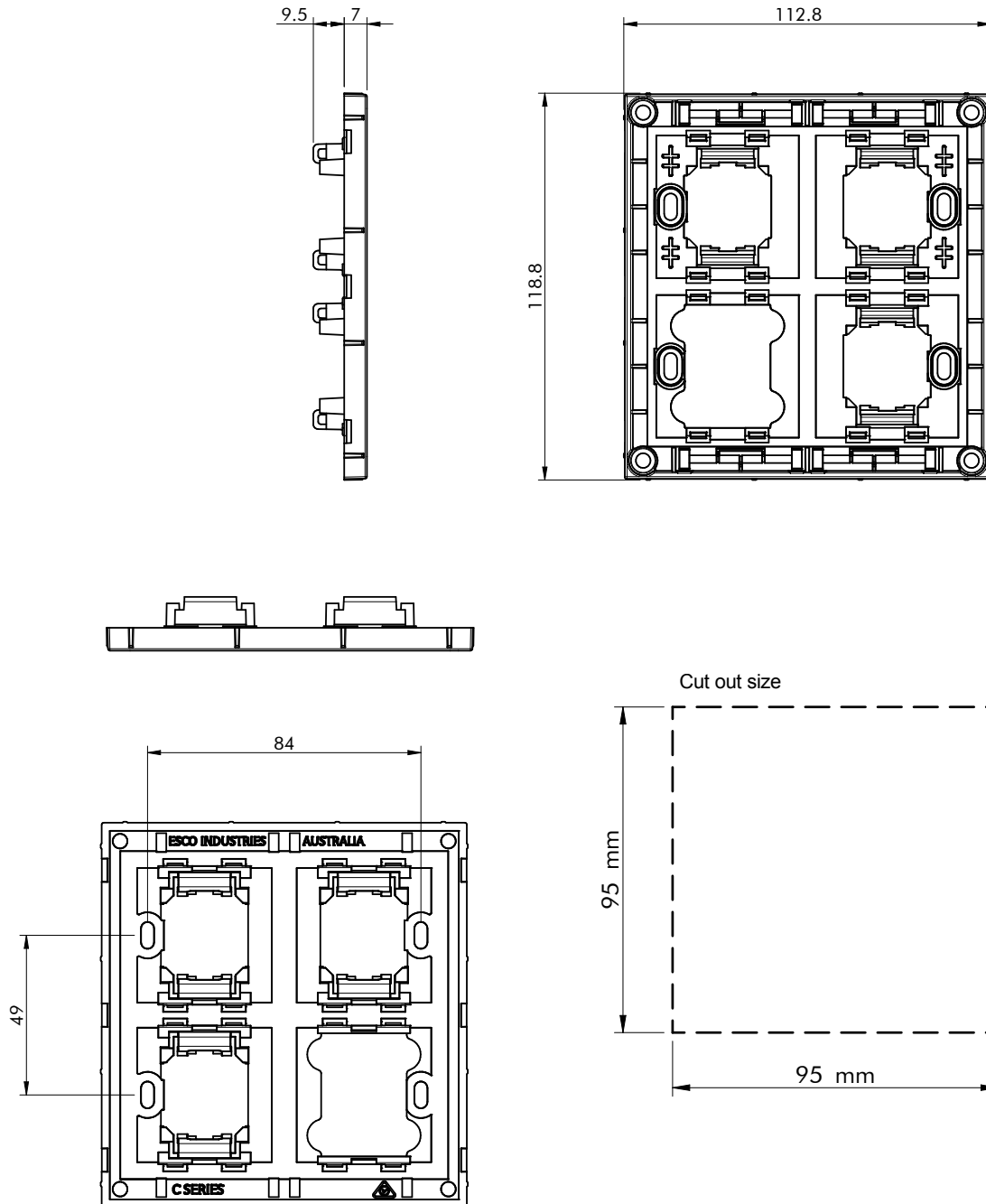
Mounting Frame Full Plate, 4 Gang, Provision to Mount Mech LHS



TECHNICAL DATA

PART NUMBER	CMTFF4P1LHS
DESCRIPTION	Mounting Frame Full Plate, 4 Gang, Provision to Mount Mech LHS, White
SUPPLY VOLTAGE	N/A
CURRENT RATING	N/A
COLOUR	NA
MOUNTING CENTRE	84mm
PLATE SIZE	Large
COMPLIANCE	N/A

DIMENSIONS



esco
industries

THE ESCO GROUP OF COMPANIES

esco industries MASRAP **MediTek**

modempak

ESCO INDUSTRIES
89 Egerton St (Cnr Fariola & Egerton)
PO Box 6193, Silverwater
NSW 2128 AUSTRALIA

MODEMPAK NZ
Unit 11/273 Neilson St, Onehunga
AUCKLAND 1061 NEW ZEALAND

T 1300 879 363 **F** 1300 879 364
customer.service@escoindustries.com.au
www.escoindustries.com.au

D +64 9 526 1880 **Freecall** 0800 663 367
customer.service@modempak.co.nz
www.modempak.co.nz

PART NUMBER

CMTFF4P1RHS

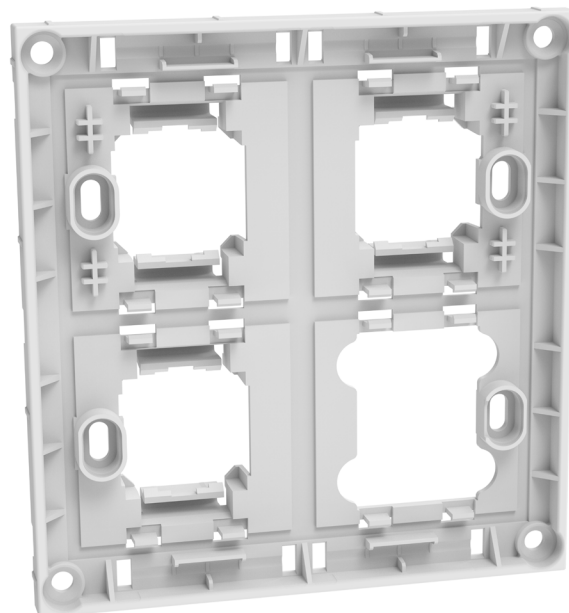
MODEL DESCRIPTION

Mounting Frame Full Plate, 4 Gang, Provision to Mount Mech RHS



ANTIMICROBIAL RESILIENCE

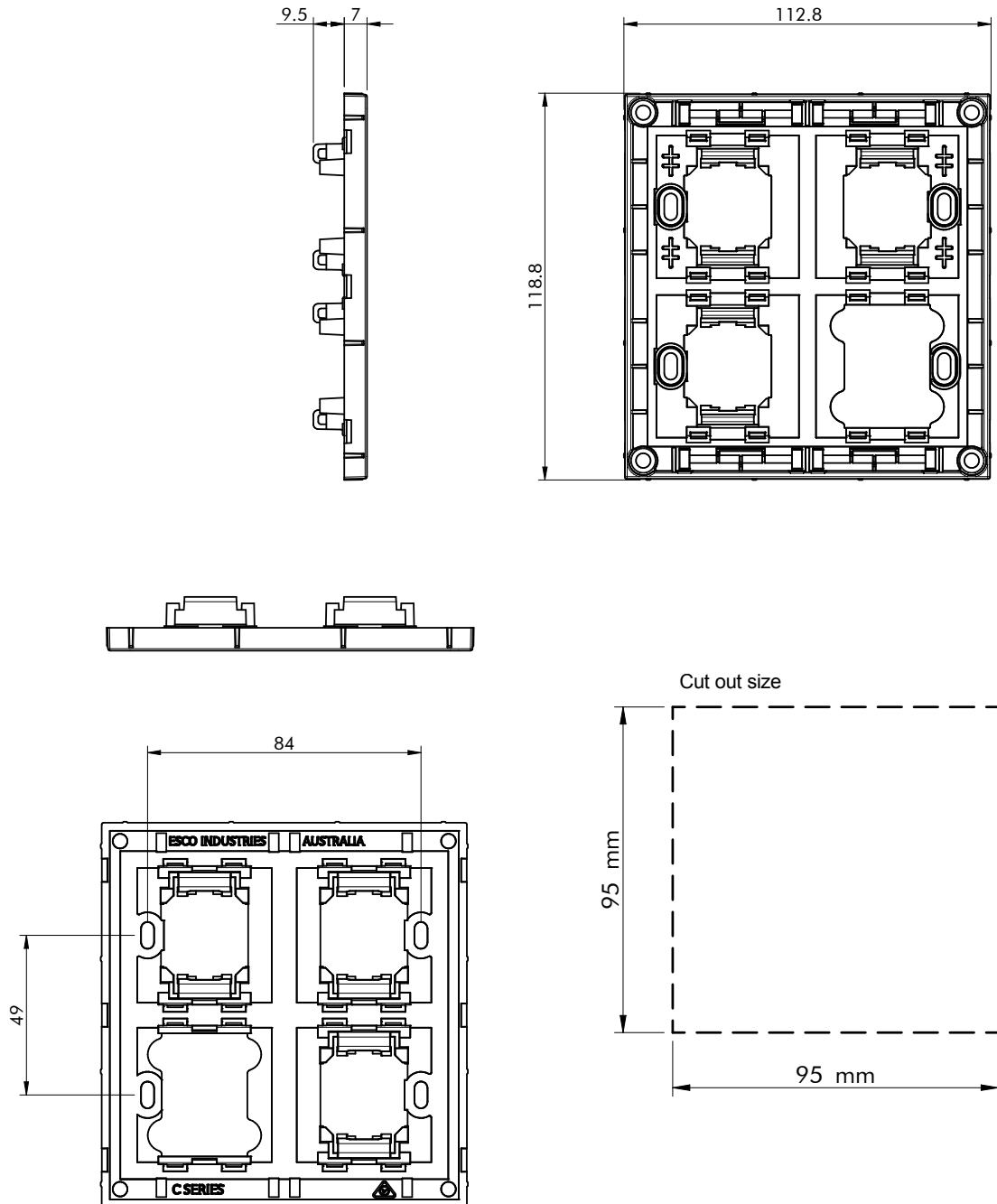
The Comfort Series is manufactured with an antimicrobial additive which has been independently tested by an accredited laboratory to ISO 22196 as being an effective antibacterial solution to inhibit or kill the growth of bacteria and fungi.



TECHNICAL DATA

PART NUMBER	CMTFF4P1RHS
DESCRIPTION	Mounting Frame Full Plate, 4 Gang, Provision to Mount Mech RHS, White
SUPPLY VOLTAGE	N/A
CURRENT RATING	N/A
COLOUR	NA
MOUNTING CENTRE	84mm
PLATE SIZE	Large
COMPLIANCE	N/A

DIMENSIONS



THE ESCO GROUP OF COMPANIES



modempak

ESCO INDUSTRIES
89 Egerton St (Cnr Fariola & Egerton)
PO Box 6193, Silverwater
NSW 2128 AUSTRALIA

MODEMPAK NZ
Unit 11/273 Neilson St, Onehunga
AUCKLAND 1061 NEW ZEALAND

T 1300 879 363 F 1300 879 364
customer.service@escoindustries.com.au
www.escoindustries.com.au

D +64 9 526 1880 Freecall 0800 663 367
customer.service@modempak.co.nz
www.modempak.co.nz

PART NUMBER

CMTFF4P2

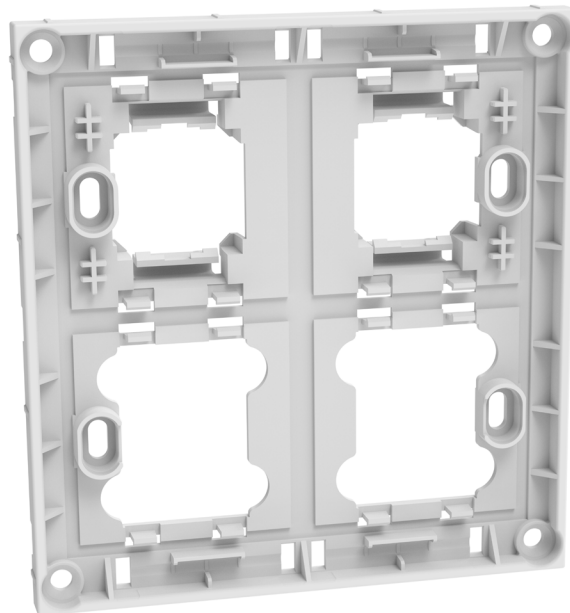
MODEL DESCRIPTION

Mounting Frame Full Plate, 4 Gang, Provision to Mount Mech x2



ANTIMICROBIAL RESILIENCE

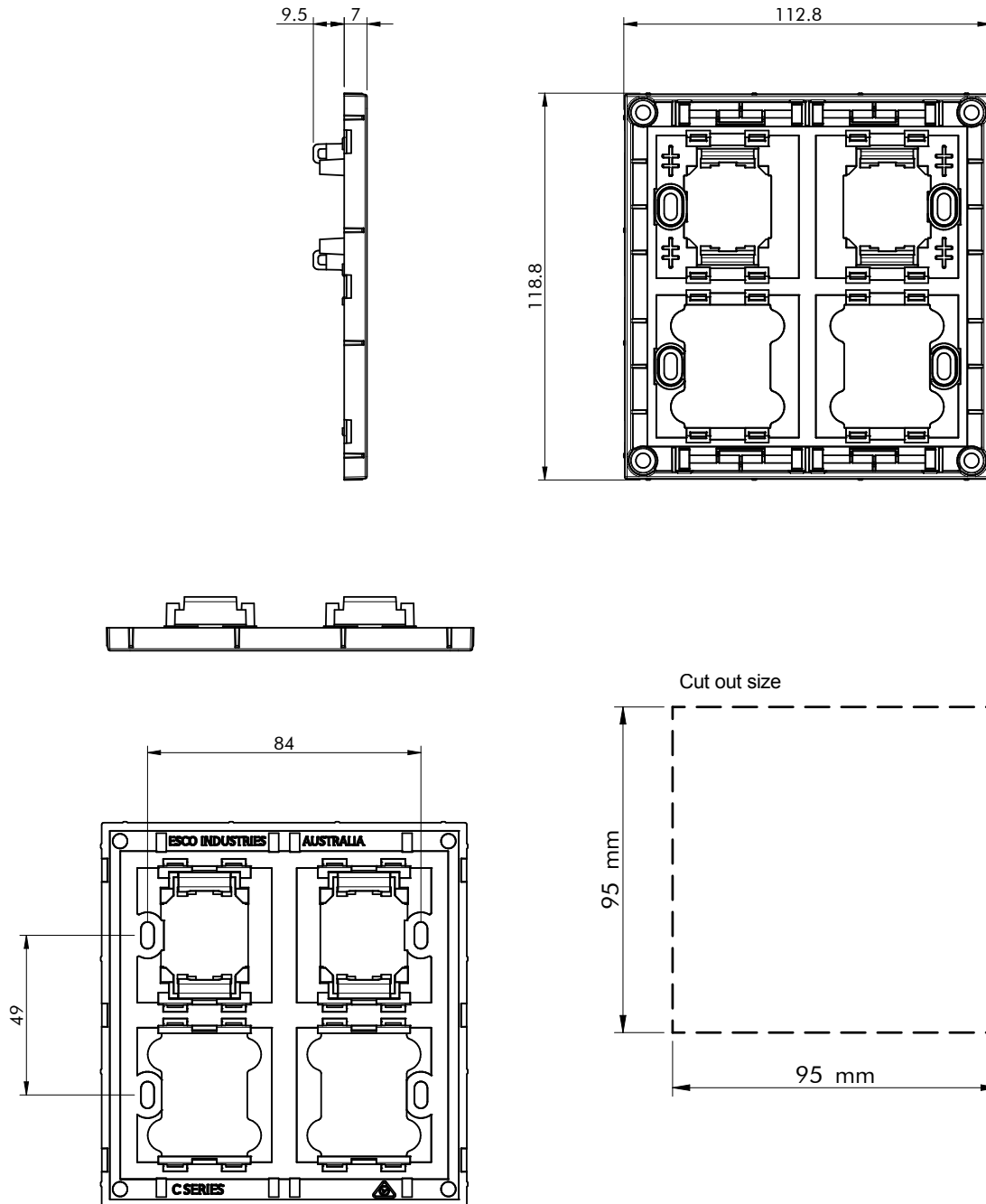
The Comfort Series is manufactured with an antimicrobial additive which has been independently tested by an accredited laboratory to ISO 22196 as being an effective antibacterial solution to inhibit or kill the growth of bacteria and fungi.



TECHNICAL DATA

PART NUMBER	CMTFF4P2
DESCRIPTION	Mounting Frame Full Plate, 4 Gang, Provision to Mount Mech x 2, White
SUPPLY VOLTAGE	N/A
CURRENT RATING	N/A
COLOUR	NA
MOUNTING CENTRE	84mm
PLATE SIZE	Large
COMPLIANCE	N/A

DIMENSIONS



esco
industries

THE ESCO GROUP OF COMPANIES

esco industries MASRAP **MediTek**

modempak

ESCO INDUSTRIES
89 Egerton St (Cnr Fariola & Egerton)
PO Box 6193, Silverwater
NSW 2128 AUSTRALIA

MODEMPAK NZ
Unit 11/273 Neilson St, Onehunga
AUCKLAND 1061 NEW ZEALAND

T 1300 879 363 **F** 1300 879 364
customer.service@escoindustries.com.au
www.escoindustries.com.au

D +64 9 526 1880 **Freecall** 0800 663 367
customer.service@modempak.co.nz
www.modempak.co.nz