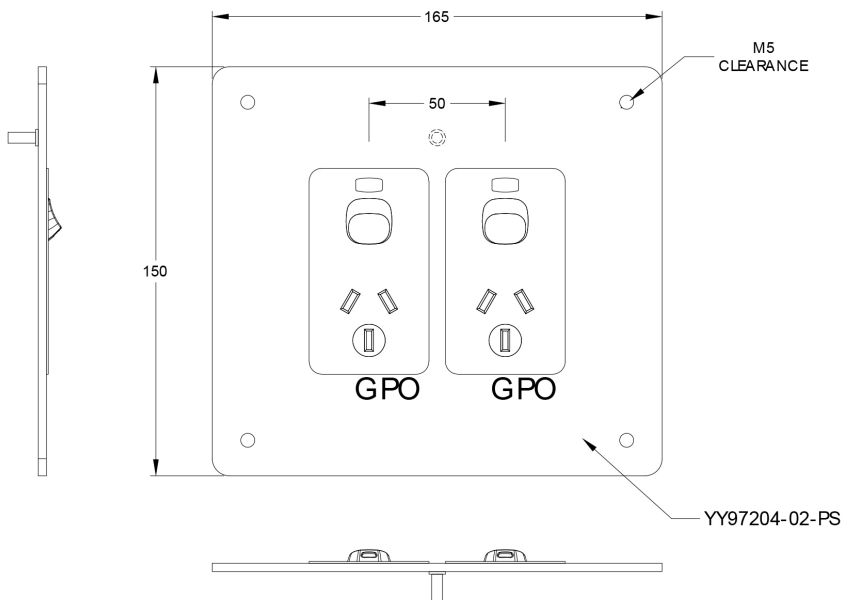


## QUALITY DESIGNED IMPACT RESISTANT SECURE SERVICES PANELS FOR ULTIMATE PROTECTION

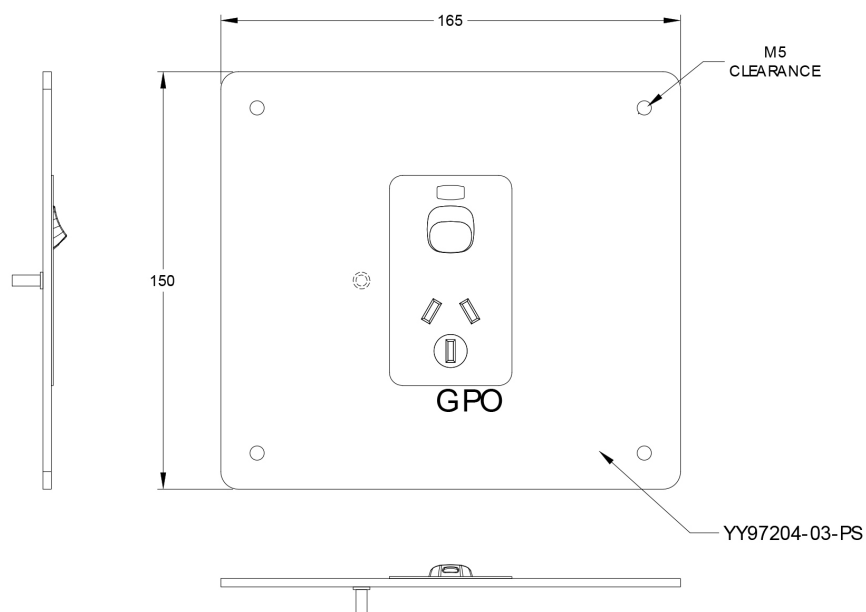
Esco Industries Secure Services Panels (SSP's) are designed to accommodate applications where protection against potential vandalism may occur such as prisons and other detention facilities.

As protection against harm to self and others is critical in these environments, Esco Industries have designed the markets first 3mm thick range of general purpose outlets (GPO's), switch and data provisions to perfectly accommodate the 3mm thick stainless steel cover resulting in all services having a flush finish with the front of the plate.



### KEY FEATURES:

- Impact resistant
- 3mm stainless steel grade 304 plate
- 3mm range of electrical & data services to accommodate the 3mm stainless steel plate
- Completely customisable layouts – designed specifically for each project
- Completely customisable mounting accessories (grids, wall boxes etc) for efficient installation
- Manufactured in Australia



## EXAMPLES OF RECENT PROJECTS, DESIGNED TO OUR CUSTOMERS NEEDS:

