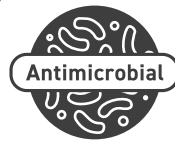


PART NUMBER

CSPL1WH

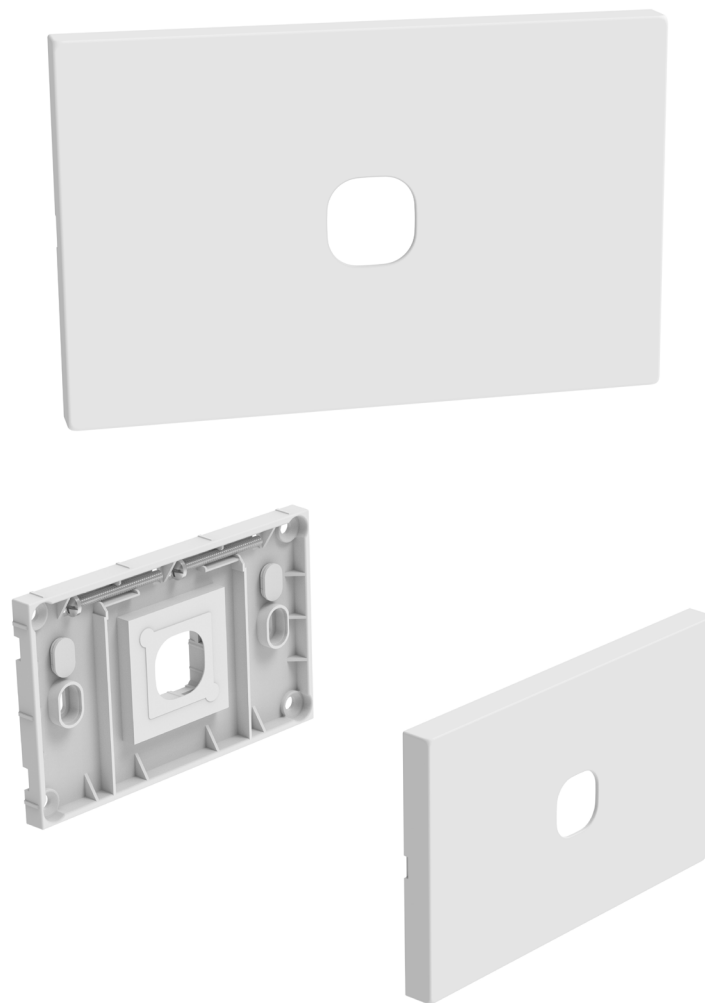
MODEL DESCRIPTION

Grid Plate 1 Gang with provision for mech, White



ANTIMICROBIAL RESILIENCE

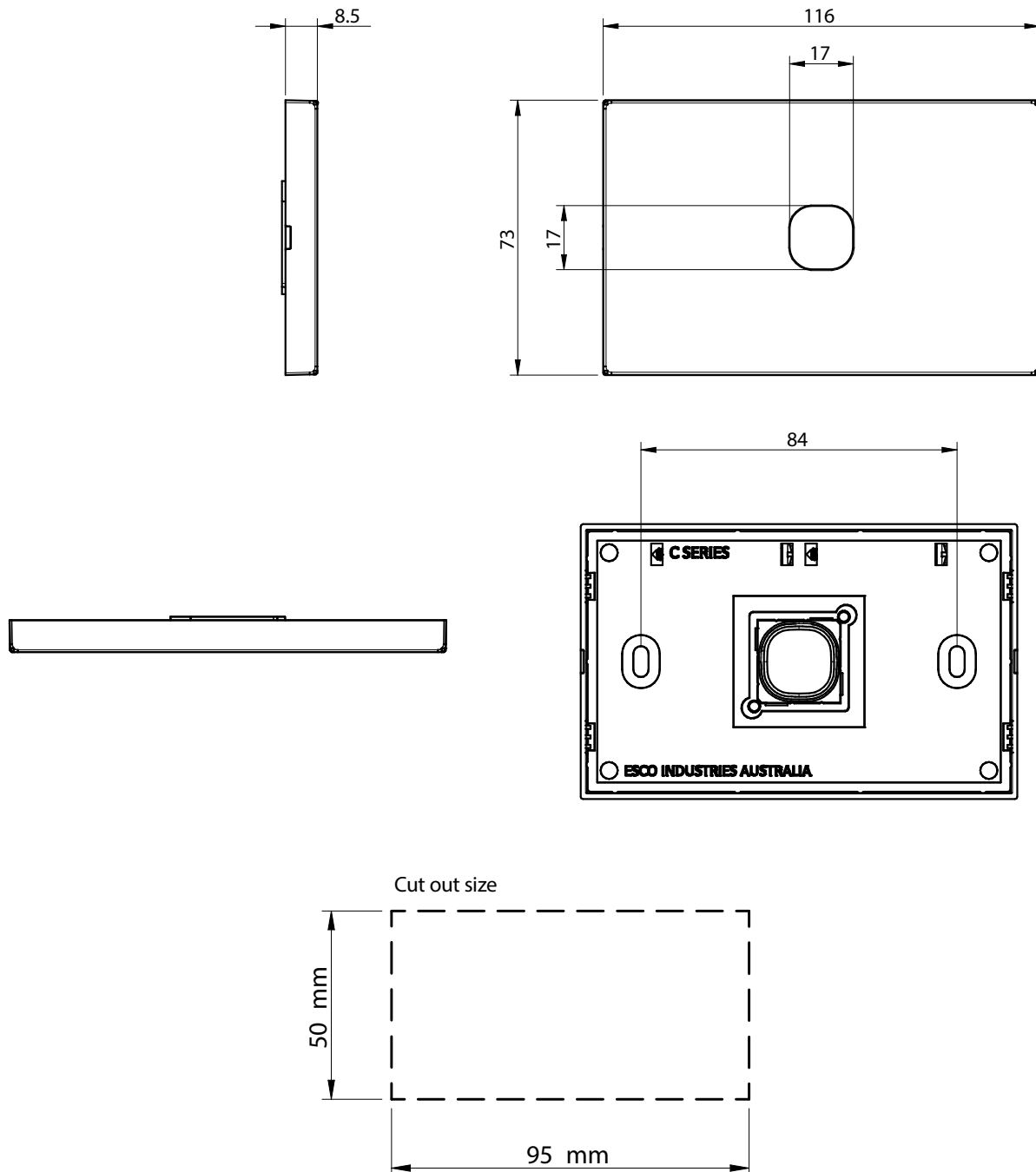
The Comfort Series is manufactured with an antimicrobial additive which has been independently tested by an accredited laboratory to ISO 22196 as being an effective antibacterial solution to inhibit or kill the growth of bacteria and fungi.



TECHNICAL DATA

PART NUMBER	CSPL1WH
DESCRIPTION	Grid Plate 1 Gang with provision for mech, White
SUPPLY VOLTAGE	N/A
CURRENT RATING	N/A
COLOUR	White
MOUNTING CENTRE	84mm
PLATE SIZE	Standard
COMPLIANCE	ISO 22196

DIMENSIONS



esco
industries

THE ESCO GROUP OF COMPANIES

esco industries MASRAP **MediTek**

modempak

ESCO INDUSTRIES

89 Egerton St (Cnr Fariola & Egerton)
PO Box 6193, Silverwater
NSW 2128 AUSTRALIA

T 1300 879 363 F 1300 879 364

customer.service@escoindustries.com.au
www.escoindustries.com.au

MODEMPAK NZ

Unit 11/273 Neilson St, Onehunga
AUCKLAND 1061 NEW ZEALAND

D +64 9 526 1880 Freecall 0800 663 367


customer.service@modempak.co.nz
www.modempak.co.nz

PART NUMBER

CSPL2WH

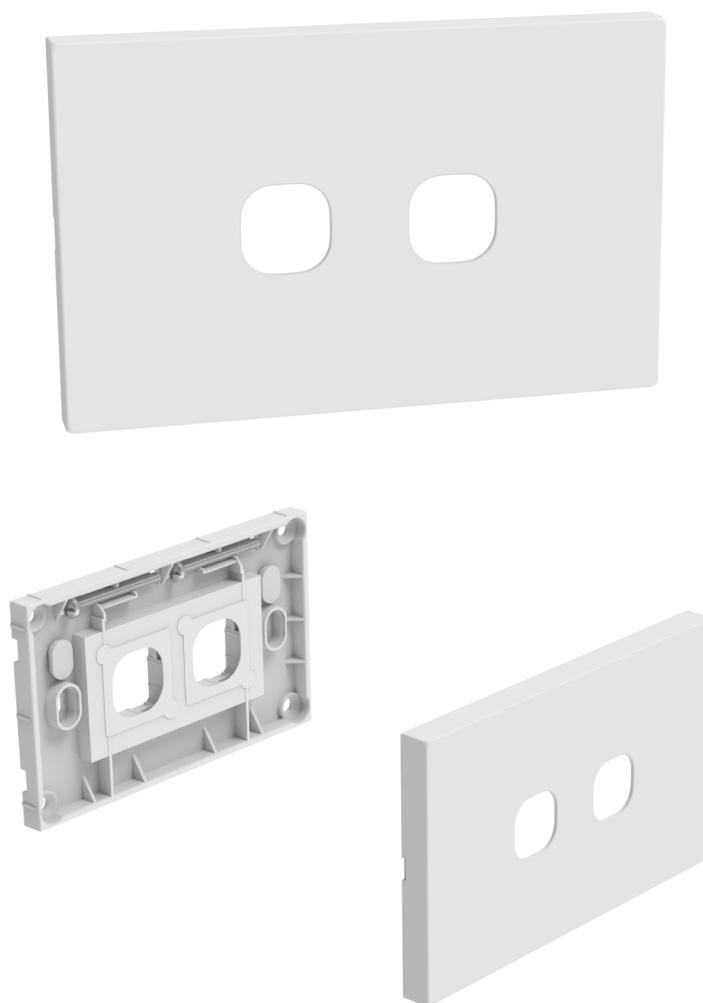
MODEL DESCRIPTION

Grid Plate 2 Gang with provision for mech, White



ANTIMICROBIAL RESILIENCE

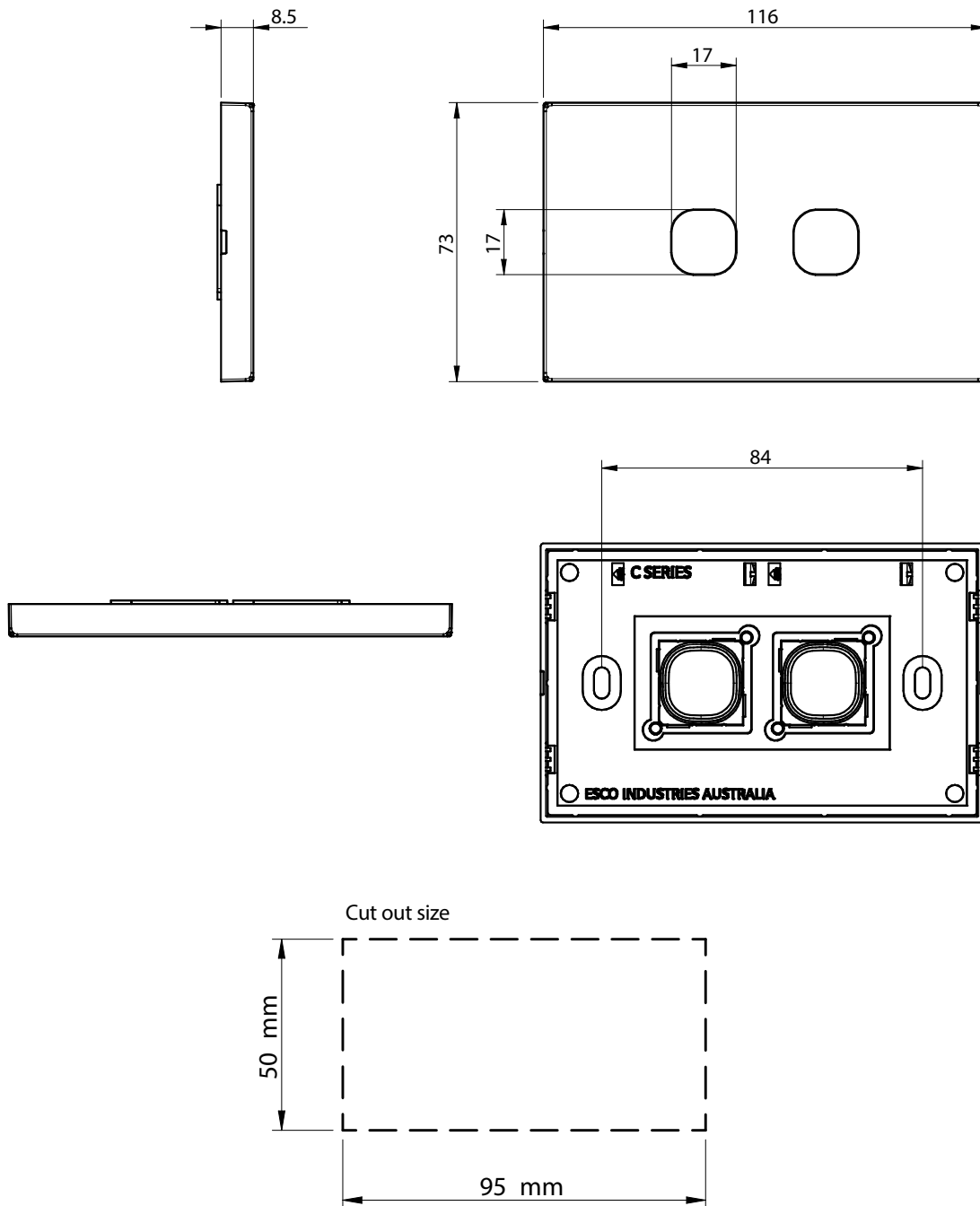
The Comfort Series is manufactured with an antimicrobial additive which has been independently tested by an accredited laboratory to ISO 22196 as being an effective antibacterial solution to inhibit or kill the growth of bacteria and fungi.



TECHNICAL DATA

PART NUMBER	CSPL2WH
DESCRIPTION	Grid Plate 2 Gang with provision for mech, White
SUPPLY VOLTAGE	N/A
CURRENT RATING	N/A
COLOUR	White
MOUNTING CENTRE	84mm
PLATE SIZE	Standard
COMPLIANCE	ISO 22196

DIMENSIONS



esco
industries

THE ESCO GROUP OF COMPANIES

esco industries MASRAP MediTek

modempak

ESCO INDUSTRIES

89 Egerton St (Cnr Fariola & Egerton)
PO Box 6193, Silverwater
NSW 2128 AUSTRALIA

T 1300 879 363 F 1300 879 364

customer.service@escoindustries.com.au
www.escoindustries.com.au

MODEMPAK NZ

Unit 11/273 Neilson St, Onehunga
AUCKLAND 1061 NEW ZEALAND

D +64 9 526 1880 Freecall 0800 663 367

customer.service@modempak.co.nz
www.modempak.co.nz