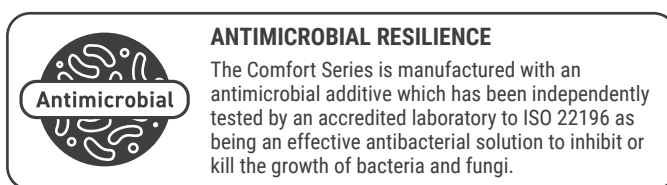


PART NUMBER

CM1VWH

MODEL DESCRIPTION

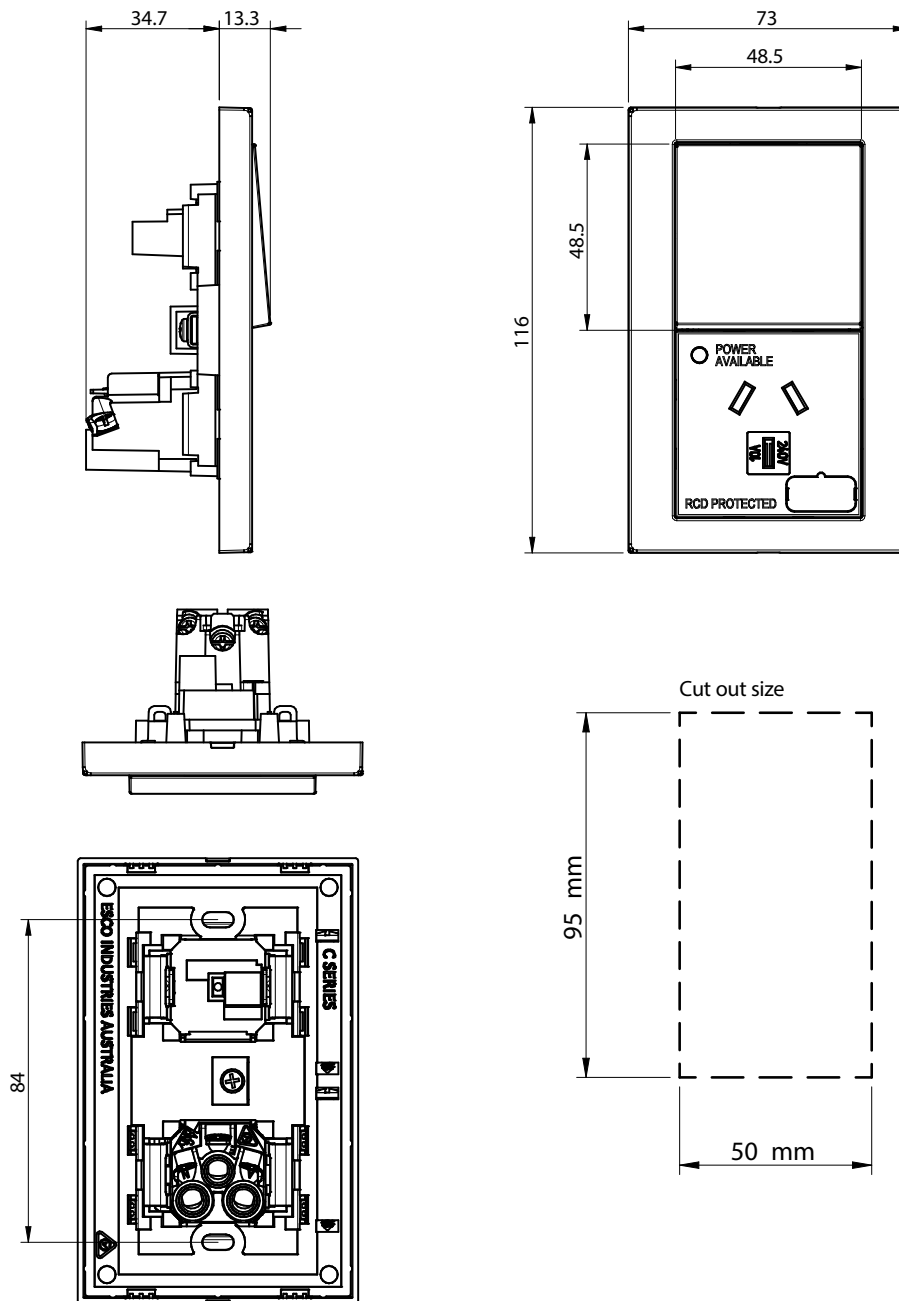
Socket Outlet Medical, Switched, Power Avail Neon, Circuit ID Provision, 10A, Vertical, White



TECHNICAL DATA

| | |
|------------------------|--|
| PART NUMBER | CM1VWH |
| DESCRIPTION | Socket Outlet Medical, Switched, Power Avail Neon, Circuit ID Provision, 10A, Vertical, White |
| SUPPLY VOLTAGE | 250Va.c. |
| CURRENT RATING | 10A |
| COLOUR | White |
| MOUNTING CENTRE | 84mm |
| PLATE SIZE | Standard |
| SWITCH SIZE | 48.5mm x 48.5mm |
| COMPLIANCE | AS/NZS3133, AS/NZS3112, ISO 22196, AS 1428.1 - Design for access and mobility, Livable Housing Design Guidelines – Switches & Powerpoints (Platinum Level) |

DIMENSIONS



esco
industries

THE ESCO GROUP OF COMPANIES

esco industries MASRAP **MediTek**

modempak

ESCO INDUSTRIES

89 Egerton St (Cnr Fariola & Egerton)
PO Box 6193, Silverwater
NSW 2128 AUSTRALIA

MODEMPAK NZ

30 Fairfax Ave, Penrose
AUCKLAND 1642 NEW ZEALAND

T 1300 879 363 F 1300 879 364

customer.service@escoindustries.com.au
www.escoindustries.com.au

D +64 9 526 1880 Freecall 0800 663 367


F +64 9 580 0606
customer.service@modempak.co.nz
www.modempak.co.nz

PART NUMBER

CM1VRD

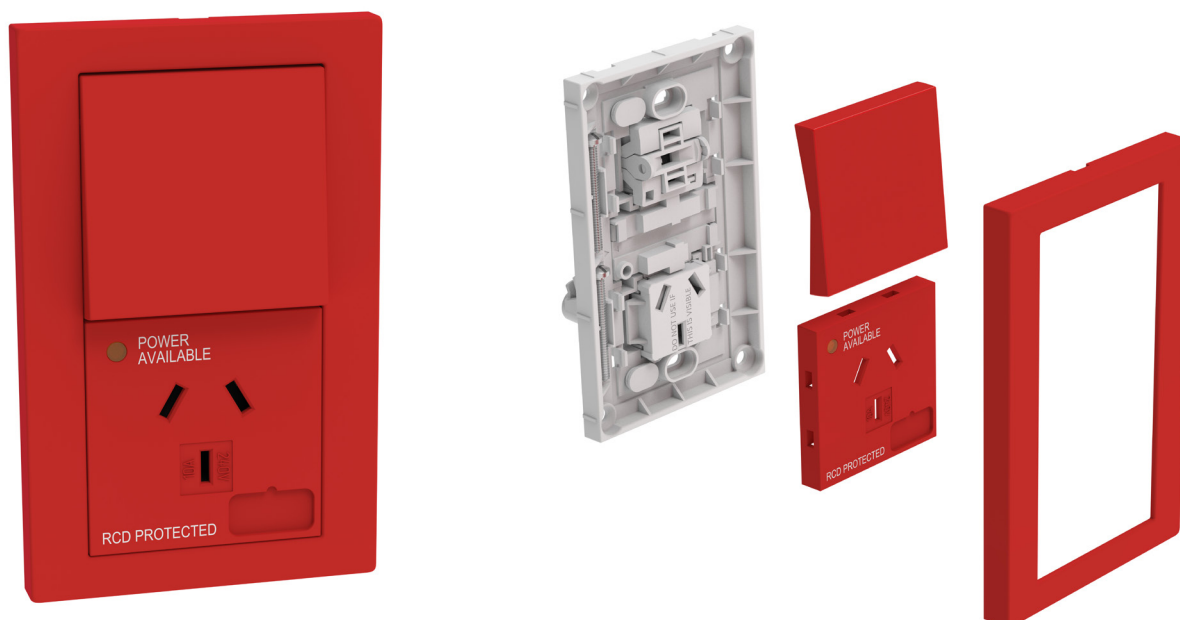
MODEL DESCRIPTION

Socket Outlet Medical, Switched, Power Avail Neon, Circuit ID Provision, 10A, Vertical, Red



ANTIMICROBIAL RESILIENCE

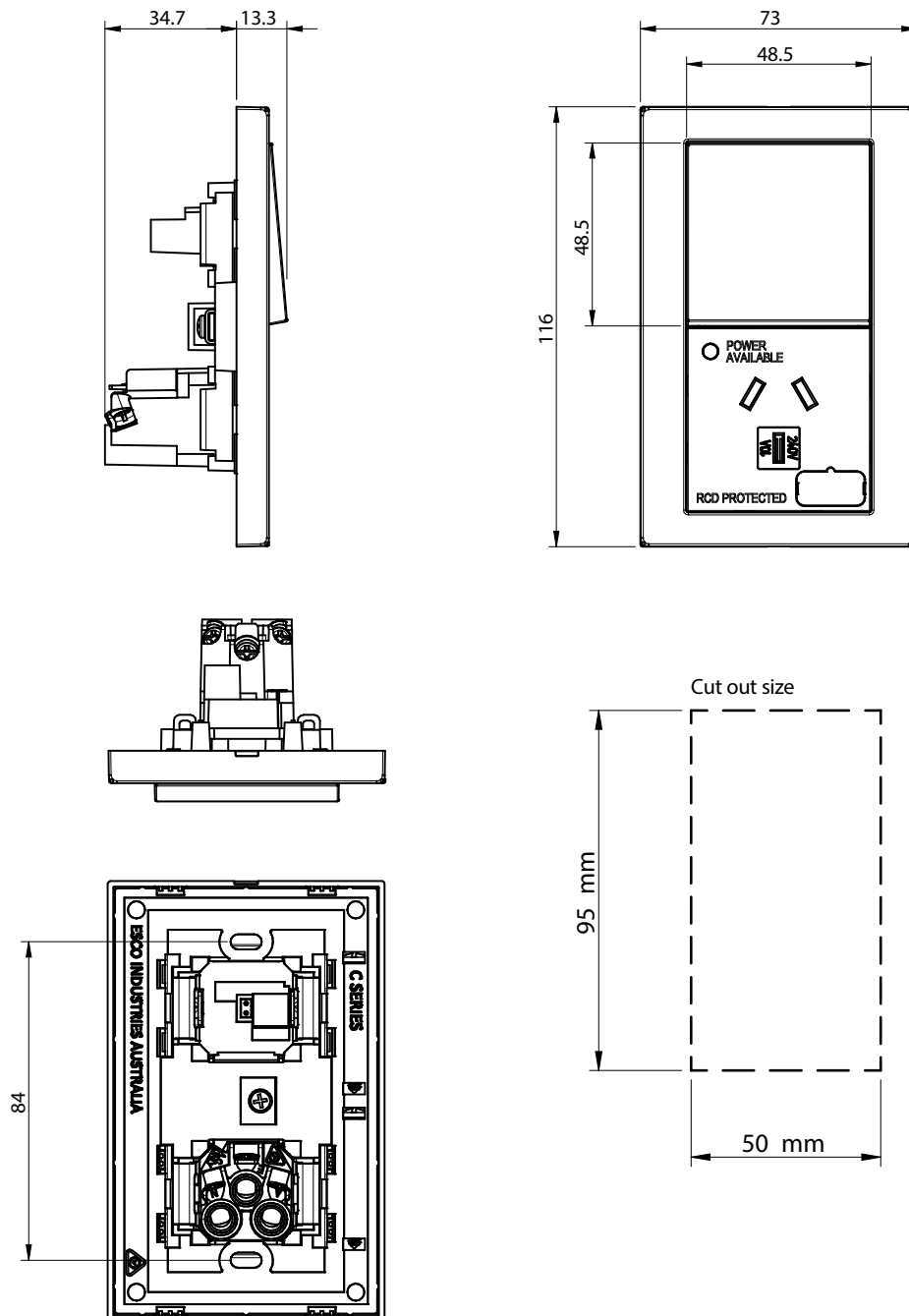
The Comfort Series is manufactured with an antimicrobial additive which has been independently tested by an accredited laboratory to ISO 22196 as being an effective antibacterial solution to inhibit or kill the growth of bacteria and fungi.



TECHNICAL DATA

| | |
|------------------------|--|
| PART NUMBER | CM1VRD |
| DESCRIPTION | Socket Outlet Medical, Switched, Power Avail Neon, Circuit ID Provision, 10A, Vertical, Red |
| SUPPLY VOLTAGE | 250Va.c. |
| CURRENT RATING | 10A |
| COLOUR | Red |
| MOUNTING CENTRE | 84mm |
| PLATE SIZE | Standard |
| SWITCH SIZE | 48.5mm x 48.5mm |
| COMPLIANCE | AS/NZS3133, AS/NZS3112, ISO 22196, AS 1428.1 - Design for access and mobility, Livable Housing Design Guidelines – Switches & Powerpoints (Platinum Level) |

DIMENSIONS



esco
industries

THE ESCO GROUP OF COMPANIES

esco industries MASRAP **MediTek**

modempak

ESCO INDUSTRIES

89 Egerton St (Cnr Fariola & Egerton)
PO Box 6193, Silverwater
NSW 2128 AUSTRALIA

MODEMPAK NZ

30 Fairfax Ave, Penrose
AUCKLAND 1642 NEW ZEALAND

T 1300 879 363 F 1300 879 364

customer.service@escoindustries.com.au
www.escoindustries.com.au

D +64 9 526 1880 Freecall 0800 663 367

F +64 9 580 0606
customer.service@modempak.co.nz
www.modempak.co.nz