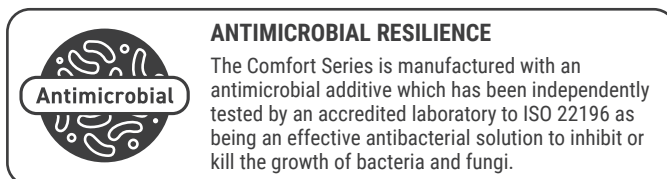


PART NUMBER

CSWP116WH

MODEL DESCRIPTION

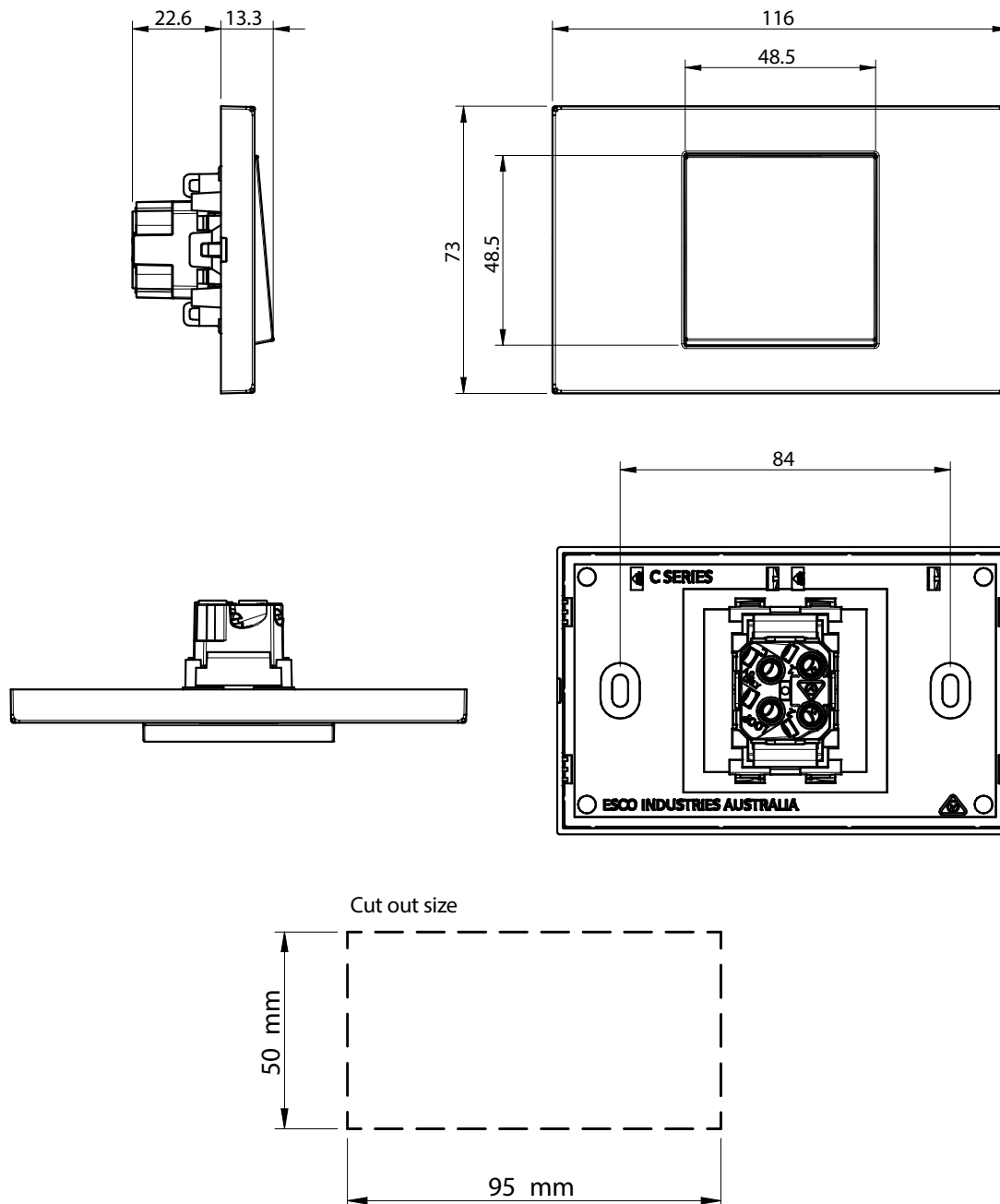
Comfort Switch 1 Gang, 2-Way, 16A, White



TECHNICAL DATA

PART NUMBER	CSWP116WH
DESCRIPTION	Comfort Switch 1 Gang, 2-Way, 16A, White
SUPPLY VOLTAGE	230-240Va.c.
CURRENT RATING	16A
COLOUR	White
MOUNTING CENTRE	84mm
PLATE SIZE	Standard
SWITCH SIZE	48.5mm x 48.5mm
COMPLIANCE	AS/NZS 3133, ISO 22196, AS 1428.1 - Design for access and mobility, Livable Housing Design Guidelines – Switches & Powerpoints (Platinum Level)

DIMENSIONS

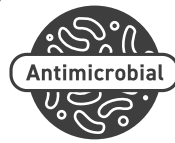


PART NUMBER

CSWP1L16WH

MODEL DESCRIPTION

Comfort Switch 1 Gang, 2-Way, with red LED "ON" indicator, 16A, White



ANTIMICROBIAL RESILIENCE

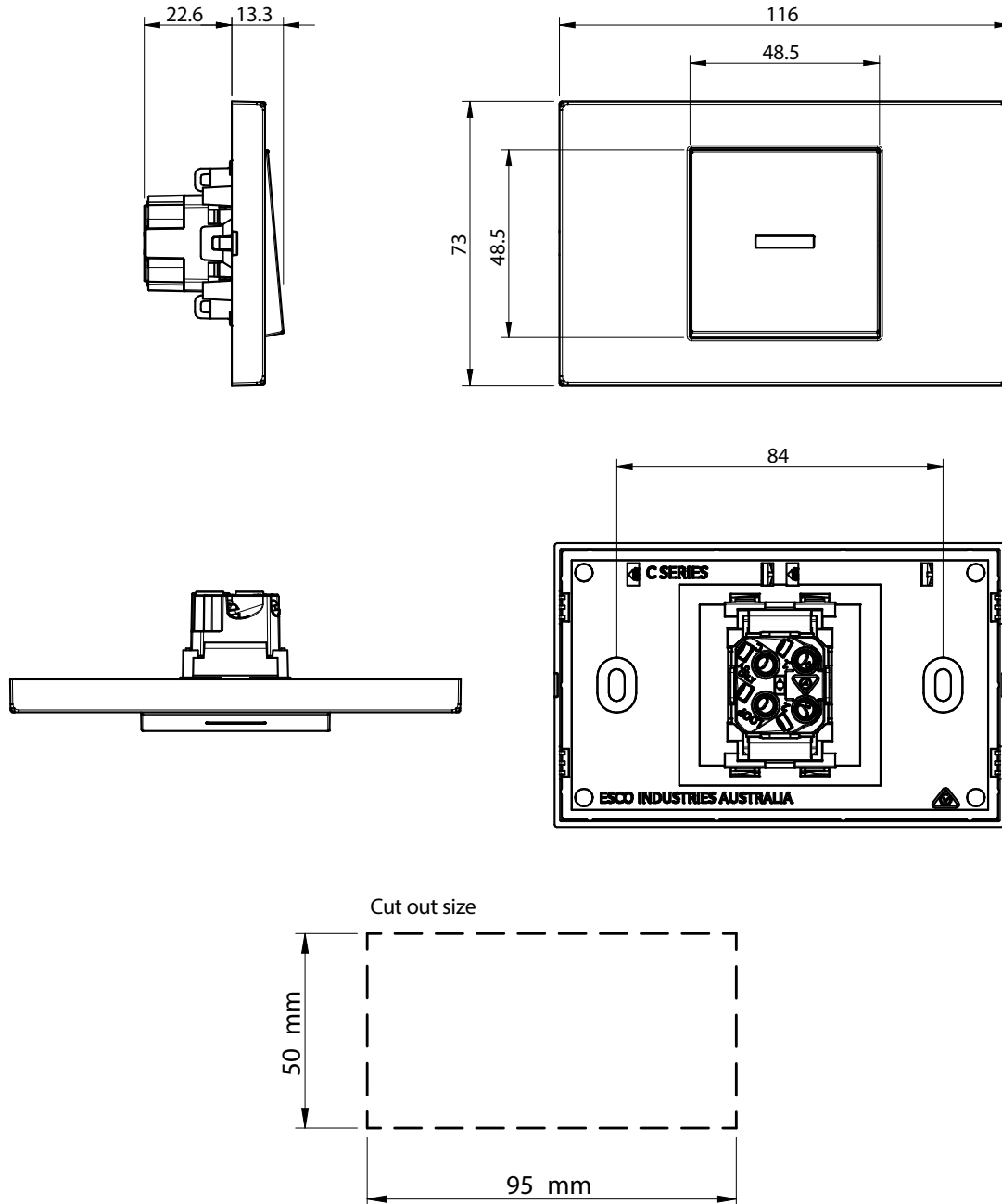
The Comfort Series is manufactured with an antimicrobial additive which has been independently tested by an accredited laboratory to ISO 22196 as being an effective antibacterial solution to inhibit or kill the growth of bacteria and fungi.



TECHNICAL DATA

PART NUMBER	CSWP1L16WH
DESCRIPTION	Comfort Switch 1 Gang, 2-Way, with red LED "ON" indicator, 16A, White
SUPPLY VOLTAGE	230-240Va.c.
CURRENT RATING	16A
COLOUR	White
MOUNTING CENTRE	84mm
PLATE SIZE	Standard
SWITCH SIZE	48.5mm x 48.5mm
COMPLIANCE	AS/NZS 3133, ISO 22196, AS 1428.1 - Design for access and mobility, Livable Housing Design Guidelines – Switches & Powerpoints (Platinum Level)

DIMENSIONS



esco
industries

THE ESCO GROUP OF COMPANIES

esco industries MASRAP MediTek

modempak

ESCO INDUSTRIES

89 Egerton St (Cnr Fariola & Egerton)
PO Box 6193, Silverwater
NSW 2128 AUSTRALIA

MODEMPAK NZ

Unit 11/273 Neilson St, Onehunga
AUCKLAND 1061 NEW ZEALAND

T 1300 879 363 F 1300 879 364

customer.service@escoindustries.com.au
www.escoindustries.com.au

D +64 9 526 1880 Freecall 0800 663 367

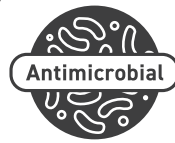
customer.service@modempak.co.nz
www.modempak.co.nz

PART NUMBER

CSWP216WH

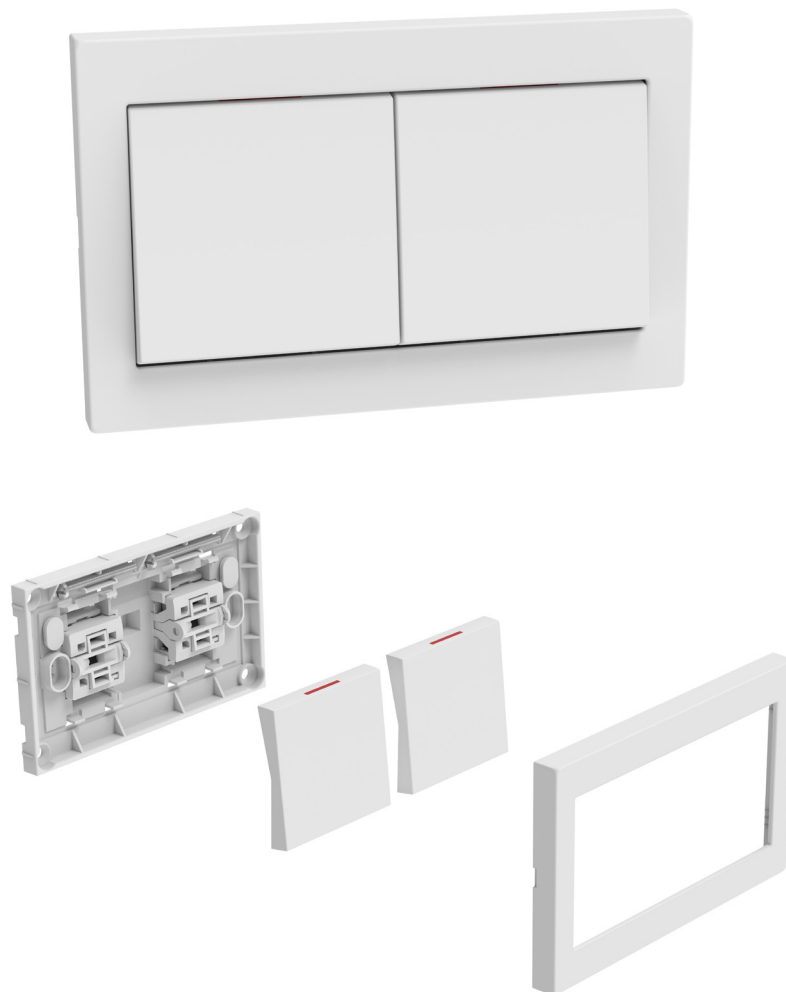
MODEL DESCRIPTION

Comfort Switch 2 Gang, 2-Way, 16A, White



ANTIMICROBIAL RESILIENCE

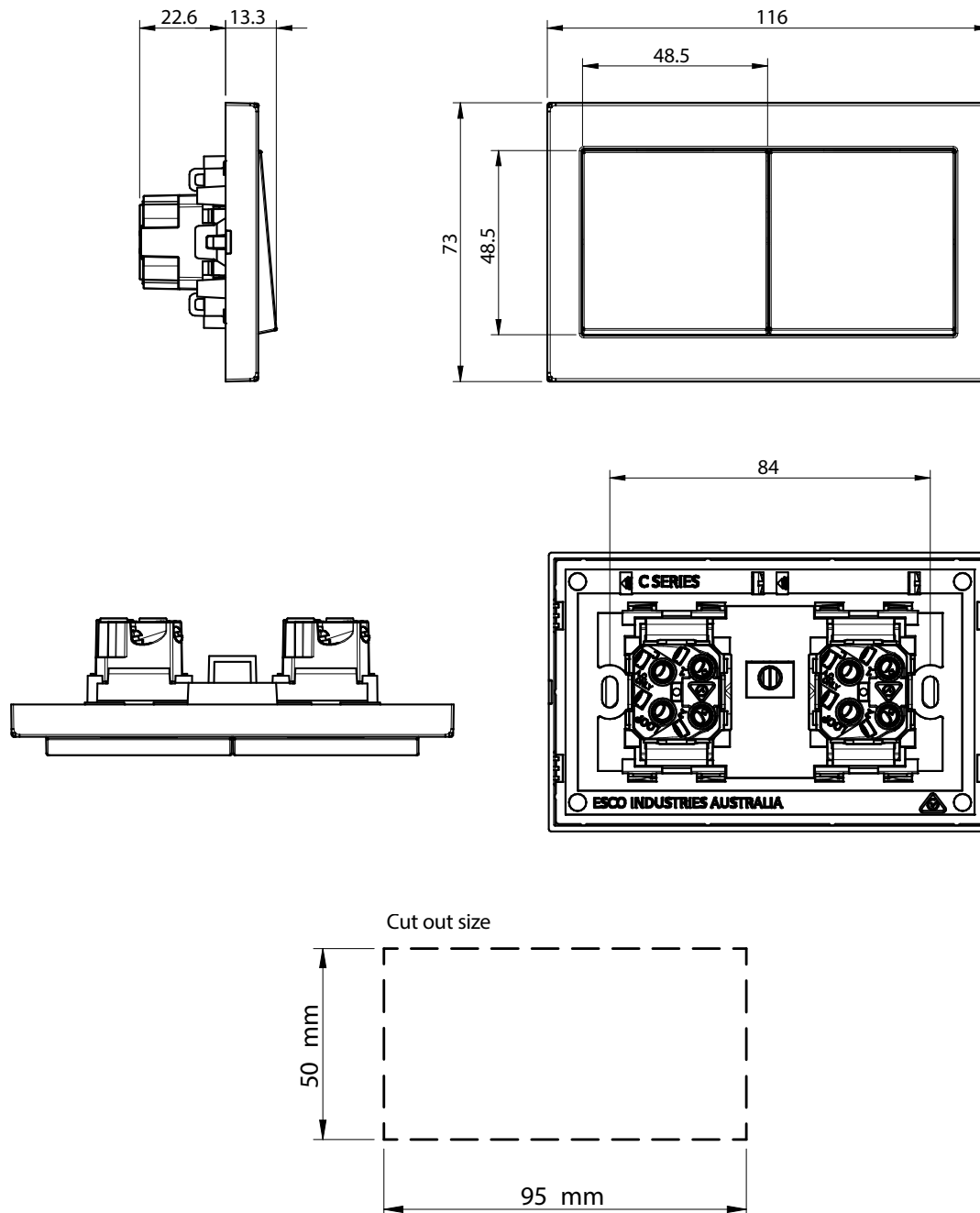
The Comfort Series is manufactured with an antimicrobial additive which has been independently tested by an accredited laboratory to ISO 22196 as being an effective antibacterial solution to inhibit or kill the growth of bacteria and fungi.



TECHNICAL DATA

PART NUMBER	CSWP216WH
DESCRIPTION	Comfort Switch 2 Gang, 2-Way, 16A, White
SUPPLY VOLTAGE	230-240Va.c.
CURRENT RATING	16A
COLOUR	White
MOUNTING CENTRE	84mm
PLATE SIZE	Standard
SWITCH SIZE	48.5mm x 48.5mm
COMPLIANCE	AS/NZS 3133, ISO 22196, AS 1428.1 - Design for access and mobility, Livable Housing Design Guidelines – Switches & Powerpoints (Platinum Level)

DIMENSIONS

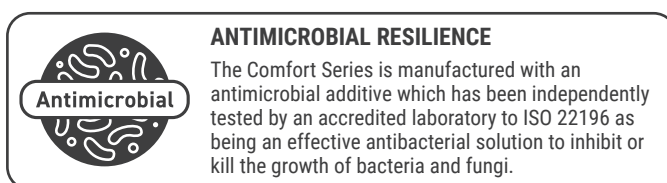


PART NUMBER

CSWP2L16WH

MODEL DESCRIPTION

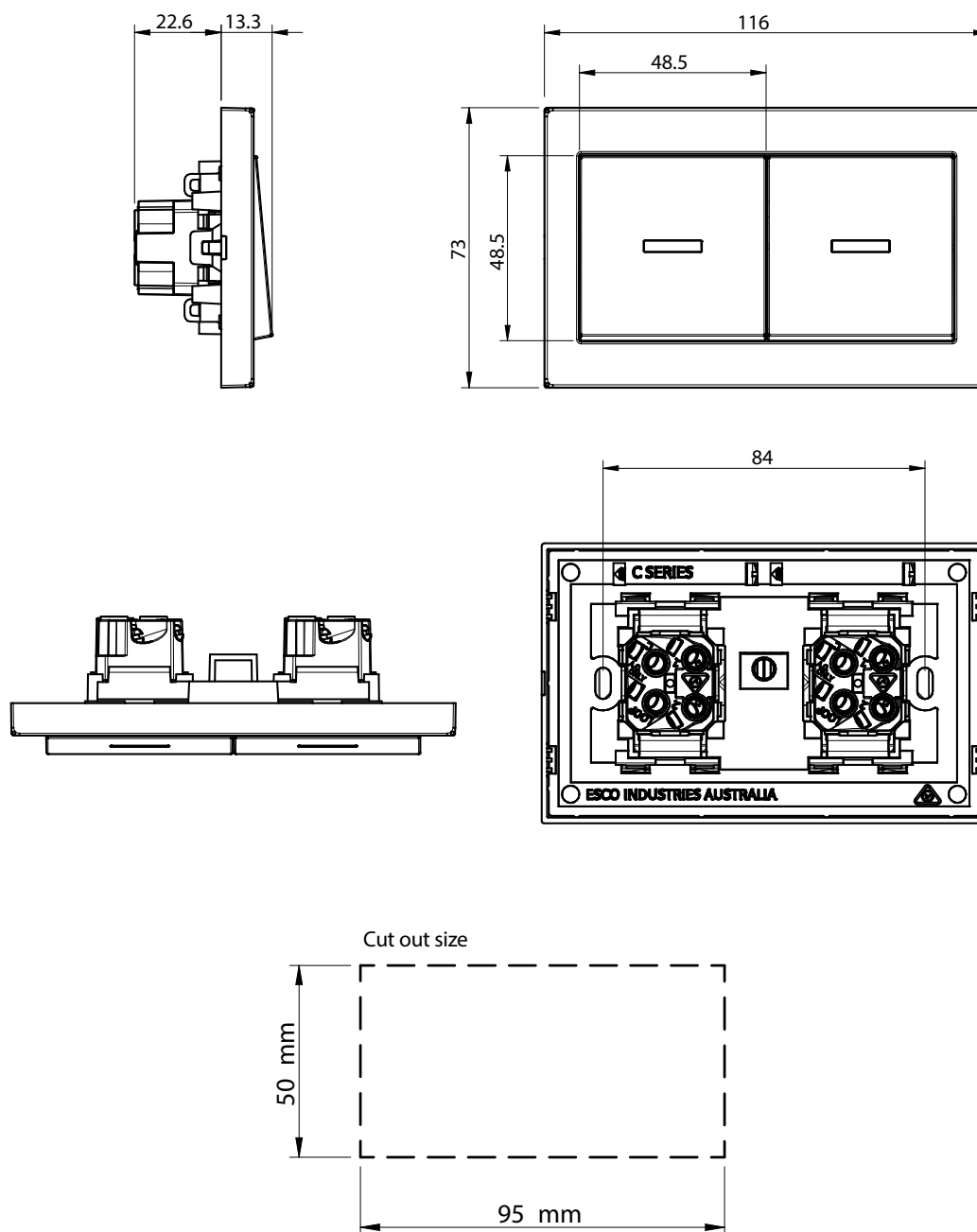
Comfort Switch 2 Gang, 2-Way, with red LED "ON" indicator, 16A, White



TECHNICAL DATA

PART NUMBER	CSWP2L16WH
DESCRIPTION	Comfort Switch 2 Gang, 2-Way, with red LED "ON" indicator, 16A, White
SUPPLY VOLTAGE	230-240Va.c.
CURRENT RATING	16A
COLOUR	White
MOUNTING CENTRE	84mm
PLATE SIZE	Standard
SWITCH SIZE	48.5mm x 48.5mm
COMPLIANCE	AS/NZS 3133, ISO 22196, AS 1428.1 - Design for access and mobility, Livable Housing Design Guidelines – Switches & Powerpoints (Platinum Level)

DIMENSIONS

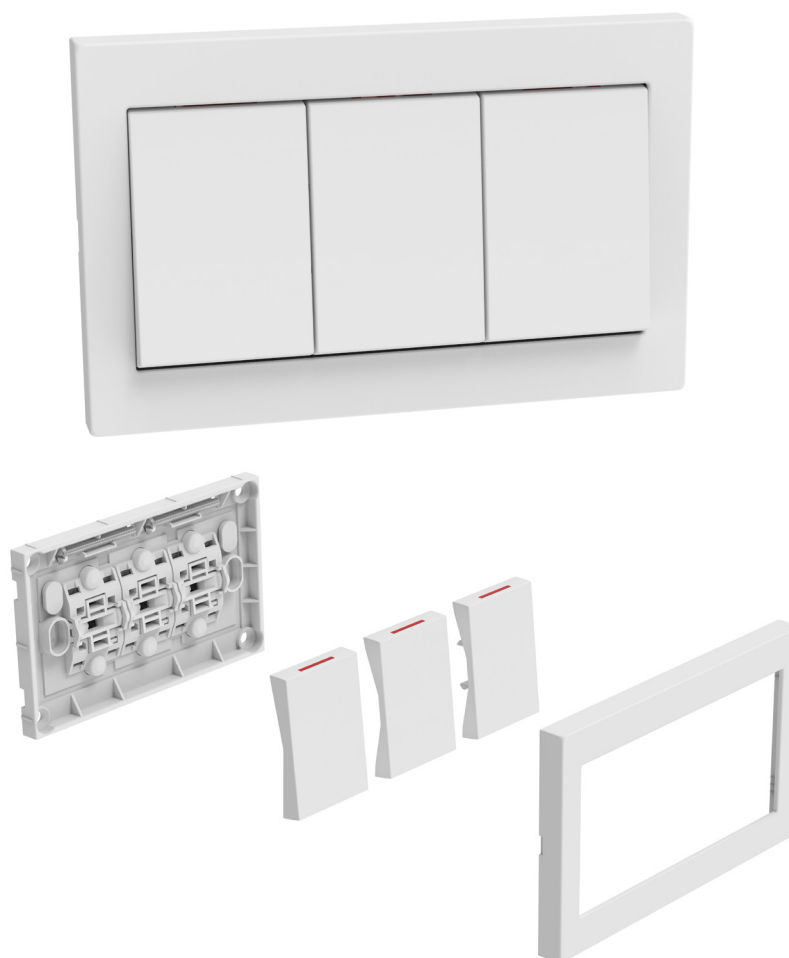
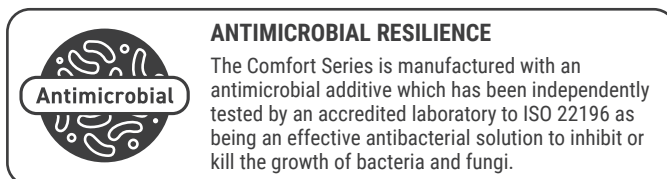


PART NUMBER

CSWP316WH

MODEL DESCRIPTION

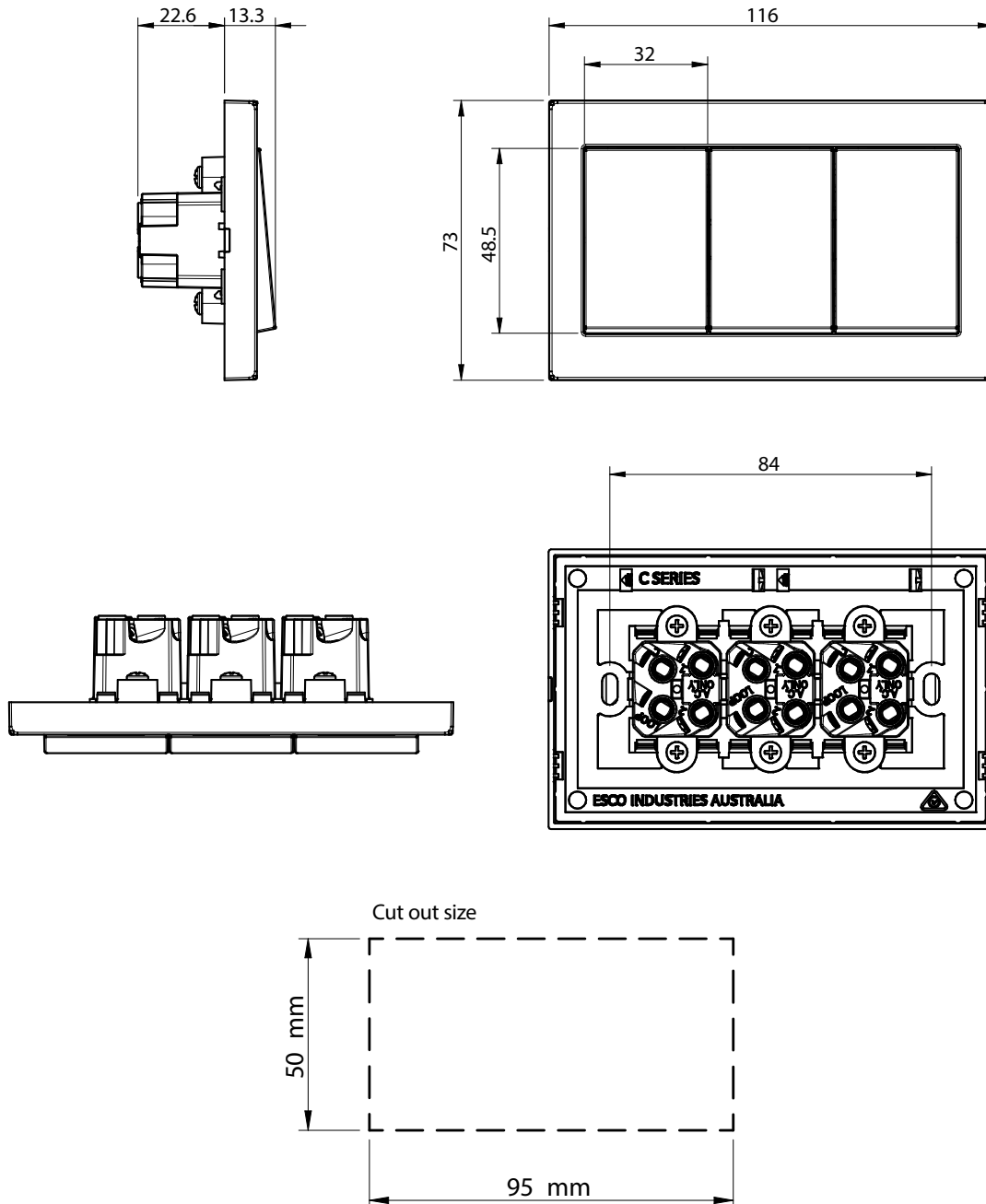
Comfort Switch 3 Gang, 2-Way, 16A, White



TECHNICAL DATA

PART NUMBER	CSWP316WH
DESCRIPTION	Comfort Switch 3 Gang, 2-Way, 16A, White
SUPPLY VOLTAGE	230-240Va.c.
CURRENT RATING	16A
COLOUR	White
MOUNTING CENTRE	84mm
PLATE SIZE	Standard
SWITCH SIZE	32mm x 48.5mm
COMPLIANCE	AS/NZS 3133, ISO 22196, AS 1428.1 - Design for access and mobility

DIMENSIONS

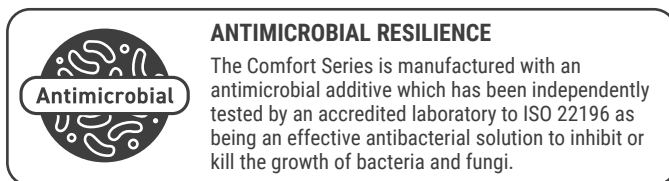


PART NUMBER

CSWP3L16WH

MODEL DESCRIPTION

Comfort Switch 3 Gang, 2-Way, with red LED "ON" indicator, 16A, White



TECHNICAL DATA

PART NUMBER	CSWP3L16WH
DESCRIPTION	Comfort Switch 3 Gang, 2-Way, with red LED "ON" indicator, 16A, White
SUPPLY VOLTAGE	230-240Va.c.
CURRENT RATING	16A
COLOUR	White
MOUNTING CENTRE	84mm
PLATE SIZE	Standard
SWITCH SIZE	32mm x 48.5mm
COMPLIANCE	AS/NZS 3133, ISO 22196, AS 1428.1 - Design for access and mobility

DIMENSIONS

