

SIS MEDICAL GAS OUTLETS & WALL FITTINGS

medical gas fittings that simply work well..

Fully compliant to AS2896
Unique Hose Sleeve Indexing System (standard)
Simple Access to Serviceable Parts for ease of maintenance
Solid Brass Body & SIS Indexing Ring Construction
Installation on either Medical Services Panels, Ducts, Pendants or Standard Wall Plates
Also available in British Standard (BS) fittings
Hoses, Connectors, Parts & Accessories plus much more..

MEDICAL
GAS OUTLETS

Gas Terminal Fittings



Specialty Gas Panels



Medical Gas Panels



Gas Hoses & Accessories



Need to supply Medical Gases, Suction or Air to Equipment, Patients or Areas Securely... choose the NEW Medicon Specialty Gas Outlets to suit all vital gas applications

Meeting the demand and strict Medical Standards, ESCO Medicon Gas Outlets are ideal for all modern medical applications, facilities or needs. Specify them today.

Medical Gas Outlet range which comply to AS2896 in respect to connection detail and performance includes the following..

| | | |
|---------------|--|-----|
| MGOA | Medical Air Self Sealing Outlet | |
| MGOO | Oxygen Self Sealing Outlet | |
| MGONO | Nitrous Oxide Self Sealing Outlet | |
| MGOST | Surgical Tool Self Sealing Outlet | |
| MGOPS | Pump Suction Self Sealing Outlet | |
| MGOPGS | Pump-Gas Scavenge Outlet | |
| MGOVS | Venturi Suction Outlet | # |
| MGOVGS | Venturi-Gas Scavenge Outlet | # |
| MGOCD | Carbon Dioxide Self Sealing Outlet | # |
| MGOENT | Entonox Self Sealing Outlet | # |
| MGOCAB | Carbogen Self Sealing Outlet | # |
| MGOTQ | Tourniquet outlet 3/8" BSP/F Connection | # |
| MGOCAV | Clean Air Outlet 3/8" BSP/F Connection & Control Valve | # * |
| MGOLG | Lab Gas Outlet 1/4" NPT/F Connection | # * |
| MGOLGV | Lab Gas Outlet 3/8" BSP/F Connection & Control Valve | # * |

* Gas type to be nominated when ordering
Made to order only



MGOA / MGOO

Gas Terminal Outlets suitable for any need or service in any room required



MGOPGS

Medical Gas Outlet Pump Gas Scavenge



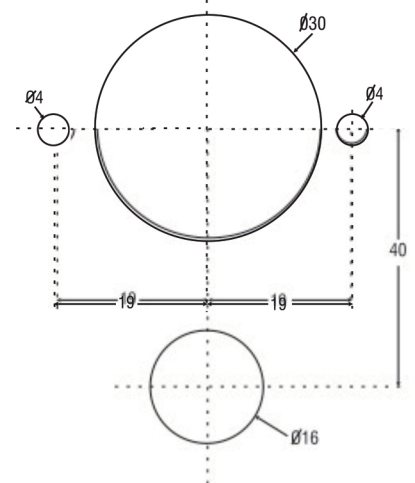
Medical Gas Outlets fitted on Plastic Accessory Mounting Plates



Clinical Teams & Hospital Staff have successfully worked with ESCO Medicon products since 1972

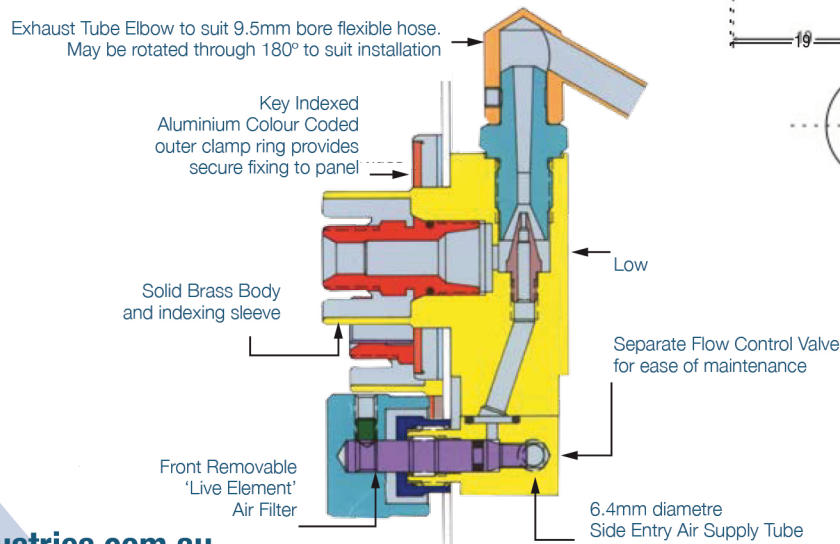
Panel Punching Detail - SIS Venturi

Maximum Panel Thickness - 2mm



Venturi Operated Suction & Scavenge Outlet

Each unit features a Driving Gas 'Live Element' Filter that is readily cleaned without removal of the mounting panel or gas pressure. In the event of drainage fluids entering the outlet, the section requiring cleaning may be detached from the incoming gas supply without having to shut off this supply.



MGOPGS - Pump Gas Scavenge this outlet which is connected to a central vacuum pump system, complies with the connection and performance standards requirements of AS2896. The flow rate may be controlled by an inbuilt needle valve.

ESCO is an internationally recognised market leader in the design and manufacture of Medical Gas Terminal fittings, Medical Services Panels and products for use in modern Healthcare, Hospital Day Surgeries, Doctors Rooms, Clinics and Veterinary Surgeries.

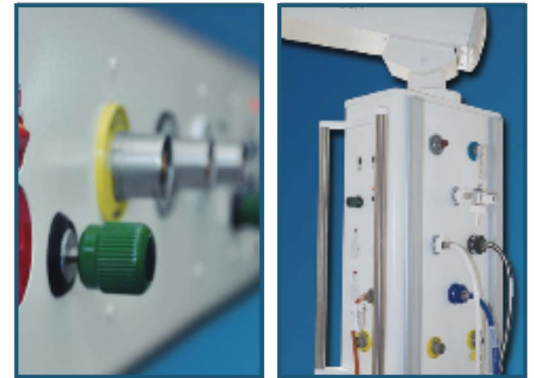
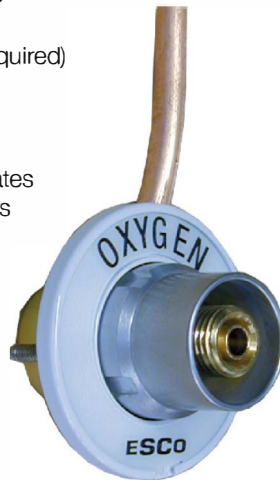
Standard Features for all SIS Fittings

ESCO Medicon Gas Terminal Fittings comply with AS2896 in respect to connection detail and performance. A feature of each unit is the driving gas filter that is readily cleaned without removal of the mounting panel or gas pressure. In the event of drainage fluids entering the outlet, the section requiring cleaning may be detached from the incoming gas supply without having to shut off this supply.



ESCO Medicon Gas Fittings are featured in almost all modern Hospitals and facilities across Australasia

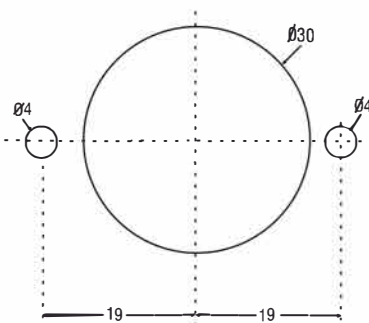
- Unique Hose Sleeve Indexing System (SIS) to identify Gas Type accepting all SIS type Gas Connections, Hoses & Leads
- AS2896 compliant to meet exacting Medical Gas Requirements
- Simple Cleaning & Serviceability Procedure
- Spare Parts available for replacement (if required)
- Suits all SIS Hose Fittings & Connectors
- Available as individual outlets, or to suit Plates Medical Services Panels, Ducts & Pendants
- Proven use & specified all over the country



Designed for either direct fitment either flush or surface via Wall Plates & Medical Service Panels or on a Medical Service Pendant

Panel Punching Detail - SIS Outlet

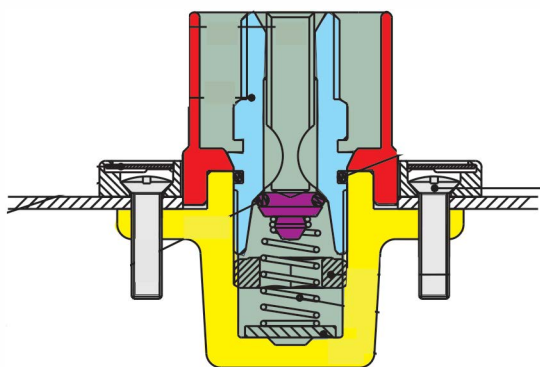
Maximum Panel Thickness - 2mm



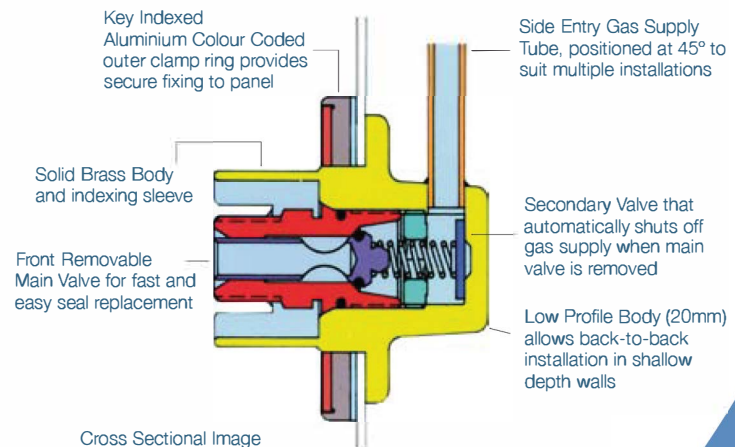
MG00

Medical Gas
Oxygen SIS Outlet

Technical Specifications & Spare Parts Description



Spare Parts Identification Listing
(see attached service detail notes - on rear)



Cross Sectional Image

Medical Gas Terminal Units (SIS Type) - Spare Parts

to carry out the following procedures it will be necessary to have some specific tools which are available as a set from ESCO - Catalogue number **MGSK** as well as the Spare Parts Repair Kit **MGSK-2**

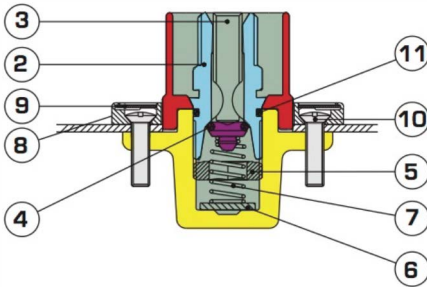


TO CLEAN OUTLET AND REPLACE MAIN VALVE SEAL PROCEED AS FOLLOWS

- Remove threaded nipple assembly (item 2) by turning anti-clockwise using special 13mm socket spanner.
- On Oxygen, Air, Nitrous Oxide and Surgical Tool outlets secondary valve (item 6) will automatically cut off the gas supply.
- Purge the rubbish that may have accumulated in valve or supply pipeline by depressing the secondary valve (item 6) with a small probe.

Caution - care should be taken during this operation to avoid eye damage
- Remove the main valve (item 3) from threaded nipple (item 2) and examine this 'O' ring seal (item 4) for damage or deterioration.

Note - it is fairly common after installation of a pipeline system for copper pipe filings to become embedded in this 'O' ring which should be replaced to prevent leakage.
- After cleaning the valve seat, check 'O' ring seal on nipple (item 11) for any damage, then reassemble the unit.



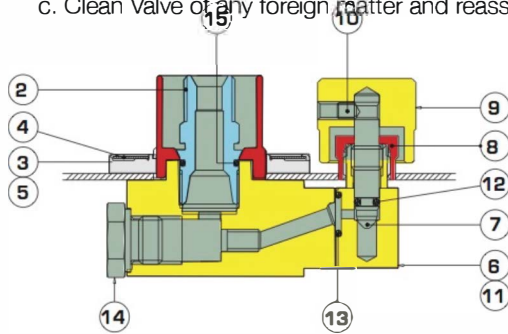
| Item | Description | Part Numbers | | | | |
|------|-----------------|--------------|-------------|---------------|--------------|----------------|
| | | Oxygen | Medical Air | Nitrous Oxide | Pump Suction | Surgical Tools |
| 2 | Threaded Nipple | Z02C166 | Z02C166 | Z02C166 | Z02C166 | Z02C166 |
| 3 | Main Valve | Z02C167 | Z02C167 | Z02C167 | Z02C167 | Z02C167 |
| 4 | "O" Ring Seal | Z17B001 | Z17B001 | Z17B001 | Z17B001 | Z17B001 |
| 5 | Valve Seat | Z02C296 | Z02C296 | Z02C296 | - | Z02C296 |
| 6 | Secondary Valve | Z18B002 | Z18B002 | Z18B002 | - | Z18B002 |
| 7 | Valve Spring | Z25A021 | Z25A021 | Z25A021 | Z25A002 | Z25A021 |
| 8 | Retaining Ring | Z02A113 | Z02A114 | Z02A107 | Z02A116 | Z02A111 |
| 9 | Name Plate | Z03A046 | Z03A056 | Z03A041 | Z03A048 | Z03A045 |
| 10 | Screw (2-off) | Z01A046 | Z01A046 | Z01A046 | Z01A046 | Z01A046 |
| 11 | "O" Ring Seal | Z17B006 | Z17B006 | Z17B006 | Z17B006 | Z17B006 |

(SIS Type) Suction Pump Operated Terminal Units - Spare Parts

Anaesthetic Gas Cat Number **MGOPGS** (Scavenge Pump)

While virtually no maintenance is required on this valve, disassembly of needle valve may be carried out as follows

- Needle Valve Inspection
- Remove needle valve knob (item 9) and retaining nut (item 8). Unscrew needle valve (item 7) and examine the 'O' ring (item 12) for damage or deterioration.
- Clean Valve of any foreign matter and reassemble.



| Item | Description | Part Numbers | Item | Description | Part Numbers |
|------|-------------------|--------------|------|-------------------|--------------|
| 2 | Threaded Nipple | Z02C166 | 10 | Grub Screw | Z01G011 |
| 3 | Retaining Ring | Z02A109 | 11 | Cap Screw (2 off) | Z01A049 |
| 4 | Name Plate | Z03A043 | 12 | "O" Ring Seal | Z17B002 |
| 5 | Screw (2 off) | Z01A046 | 13 | "O" Ring Seal | Z17B003 |
| 6 | Needle Valve Body | Z02G037 | 14 | Outlet Plug | Z02C026 |
| 7 | Needle Valve | Z02E006 | 15 | "O" Ring Seal | Z17B006 |
| 8 | Retaining Nut | Z02C006 | | | |
| 9 | Knob | Z02A002 | | | |

esco[®]
industries

HEAD OFFICE
89 Egerton Street
SILVERWATER, NSW 2128

T: 1300 879 363
F: 1300 879 364
E: customer.service@escoindustries.com.au
www.escoindustries.com.au

MODEMPAK NZ
30 Fairfax Ave, Penrose
AUCKLAND 1642 NEW ZEALAND

Freecall: 0800 663 367

customer.service@modempak.co.nz
www.modempak.co.nz

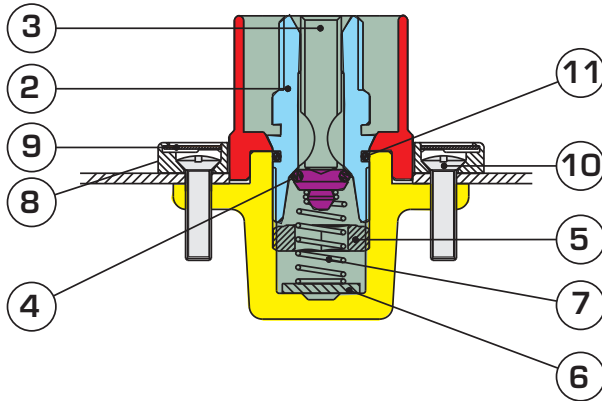
Low Pressure Gas Hose Fittings
also available (to suit any requirement)
Specify Length, Gas Type & Connectors



SIS TYPE TERMINAL UNITS - Spare Parts

| | | |
|----------------|-------------|-------|
| Oxygen | Cat. Number | MG00 |
| Air | Cat. Number | MG0A |
| Nitrous Oxide | Cat. Number | MG0NO |
| Suction (pump) | Cat. Number | MG0PS |
| Surgical Tools | Cat. Number | MG0ST |

NOTE: To carry out the following procedures it will be necessary to have some specific tools which are available as a set from ESCO (Cat. Number MGSK).

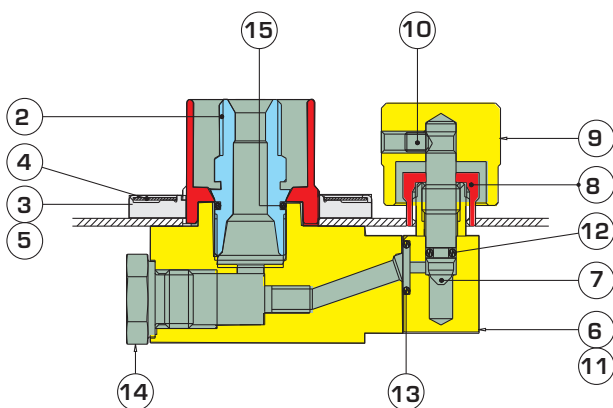


TO CLEAN OUTLET AND REPLACE MAIN VALVE SEAL PROCEED AS FOLLOWS:

- A) Remove threaded nipple assembly (item 2), by turning anti-clockwise using special 13mm socket spanner.
- B) On oxygen, air, nitrous oxide and surgical tool outlets, secondary valve (item 6) will automatically cut off the gas supply.
- C) Purge any rubbish that may have accumulated in valve or supply pipeline by depressing the secondary valve (item 6) with a small probe.
CAUTION: Care should be taken during this operation to avoid eye damage.
- D) Remove main valve (item 3) from threaded nipple (item 2) and examine the "O" ring seal (item 4) for damage or deterioration. Note, it is fairly common after initial installation of a pipeline system for copper pipe filings to become embedded in this "O" ring which should be replaced to prevent leakage.
- E) After cleaning the valve seat, check "O" ring seal on nipple (item 11) for any damage, then reassemble the unit.

| Part Numbers | | | | | | |
|--------------|-----------------|---------|-------------|---------------|--------------|----------------|
| Item | Description | Oxygen | Medical Air | Nitrous Oxide | Pump Suction | Surgical Tools |
| 2 | Threaded Nipple | Z02C166 | Z02C166 | Z02C166 | Z02C166 | Z02C166 |
| 3 | Main Valve | Z02C167 | Z02C167 | Z02C167 | Z02C167 | Z02C167 |
| 4 | "O" Ring Seal | Z17B001 | Z17B001 | Z17B001 | Z17B001 | Z17B029 |
| 5 | Valve Seat | Z02C296 | Z02C296 | Z02C296 | - | Z02C296 |
| 6 | Secondary Valve | Z18B002 | Z18B002 | Z18B002 | - | Z18B002 |
| 7 | Valve Spring | Z25A021 | Z25A021 | Z25A021 | Z25A002 | Z25A021 |
| 8 | Retaining Ring | Z02A113 | Z02A114 | Z02A107 | Z02A116 | Z02A111 |
| 9 | Name Plate | Z03A046 | Z03A056 | Z03A041 | Z03A048 | Z03A045 |
| 10 | Screw (2-off) | Z01A046 | Z01A046 | Z01A046 | Z01A046 | Z01A046 |
| 11 | "O" Ring Seal | Z17B006 | Z17B006 | Z17B006 | Z17B006 | Z17B006 |

SIS TYPE SUCTION PUMP OPERATED TERMINAL UNITS - Spare Parts



Anaesthetic Gas Scavenge (Pump) **Cat. Number** MGOPGS

NOTE: To carry out the following procedures it will be necessary to have some specific tools which are available as a set from ESCO (Cat. Number MGSK).

- While virtually no maintenance is required on this valve, disassembly of needle valve may be carried out as follows:
- A) Needle Valve Inspection
 - B) Remove needle valve knob (item 9) and retaining nut (item 8). Unscrew needle valve (item 7) and examine the "O" ring (item 12) for damage or deterioration.
 - C) Clean valve of any foreign matter and reassemble.

| Item | Description | Part Numbers | Item | Description | Part Numbers |
|------|-------------------|--------------|------|-------------------|--------------|
| 2 | Threaded Nipple | Z02C166 | 10 | Grub Screw | Z01G011 |
| 3 | Retaining Ring | Z02A109 | 11 | Cap Screw (2 off) | Z01A049 |
| 4 | Name Plate | Z03A043 | 12 | "O" Ring Seal | Z17B002 |
| 5 | Screw (2 off) | Z01A046 | 13 | "O" Ring Seal | Z17B003 |
| 6 | Needle Valve Body | Z02G037 | 14 | Outlet Plug | Z02C026 |
| 7 | Needle Valve | Z02E006 | 15 | "O" Ring Seal | Z17B006 |
| 8 | Retaining Nut | Z02C006 | | | |
| 9 | Knob | Z02A002 | | | |