

## PART NUMBER

### EBMSHDFB4P

## MODEL DESCRIPTION

EBM BOX, STAINLESS STEEL HEAVY DUTY FLUSH SOFT CLOSE LID BEVEL SURROUND, 4 X AUTO SWITCHED POWER, 1 X PROVISION TO MOUNT STANDARD PLATE

- EnduraMini EBM Series Floor Box with Stainless Steel Heavy Duty Flush Lid
- Box size 198 x 197 x 90mm Deep
- Fitted with 4 x Auto-Switching 10A power outlets and 1 x Provision To Mount Standard Plate
- Floor Box Lid 304 Grade Stainless Steel with Soft Closing Functionality



EBMSHDFB4P

**esco**  
industries

THE ESCO GROUP OF COMPANIES

**esco** MARSH **MediTek**  
industries

modempak

#### ESCO INDUSTRIES

89 Egerton St (Cnr Fariola & Egerton)  
PO Box 6193, Silverwater  
NSW 2128 AUSTRALIA

T 1300 879 363 F 1300 879 364

customer.service@escoindustries.com.au  
www.escoindustries.com.au

#### MODEMPAK NZ

Unit 11/273 Neilson St, Onehunga  
AUCKLAND 1061 NEW ZEALAND

D +64 9 526 1880 Freecall 0800 663 367

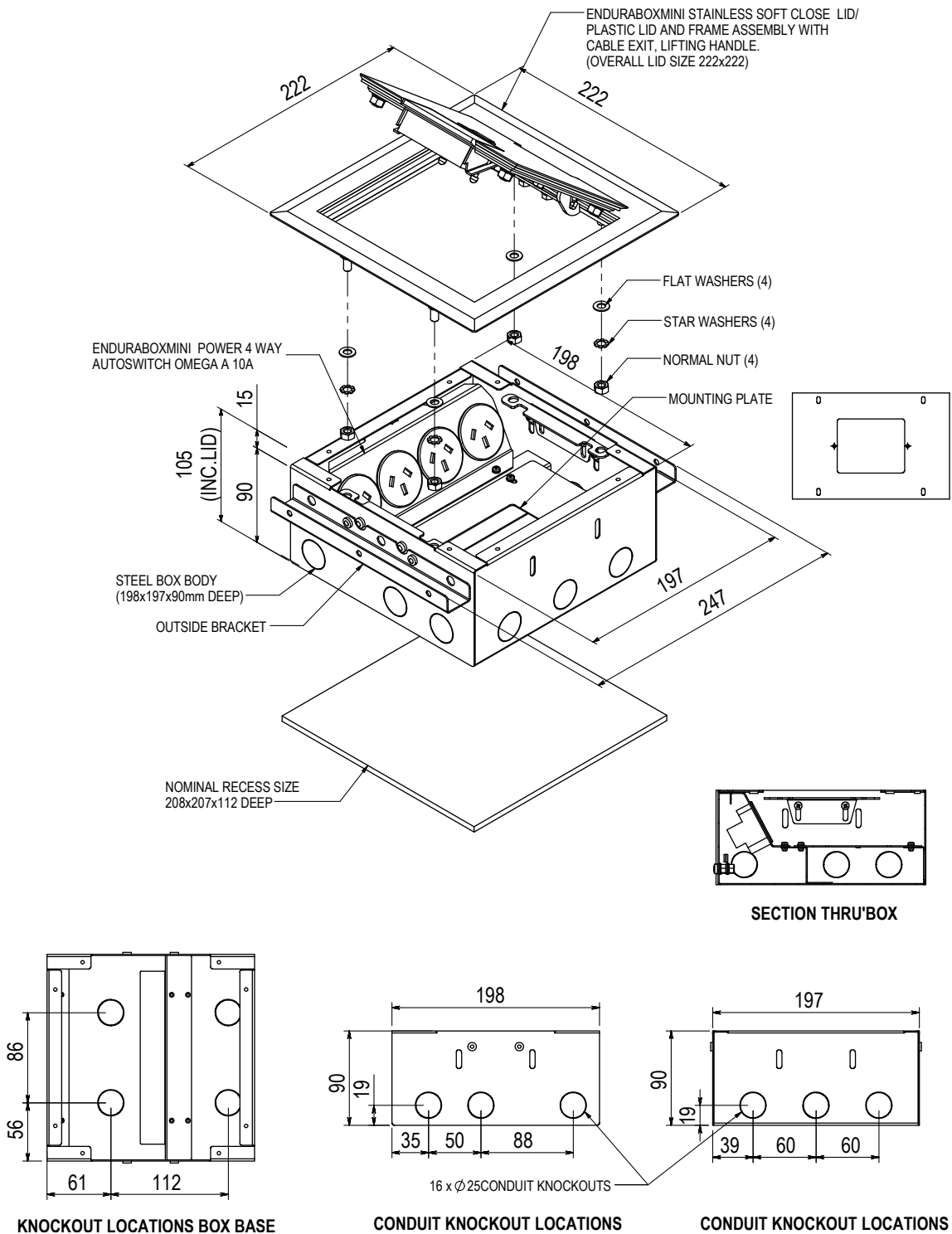
customer.service@modempak.co.nz  
www.modempak.co.nz

# ASSEMBLY DIAGRAM

## EBMSHDFB4P

### MODEL DESCRIPTION

EBM BOX, STAINLESS STEEL HEAVY DUTY FLUSH SOFT CLOSE LID BEVEL SURROUND, 4 X AUTO SWITCHED POWER, 1 X PROVISION TO MOUNT STANDARD PLATE



## PART NUMBER

### EBMPRB4P

## MODEL DESCRIPTION

EBM BOX, PLASTIC RECESS LID BEVEL SURROUND, 4 X AUTO SWITCHED POWER, 1 X PROVISION TO MOUNT STANDARD PLATE

- EnduraMini EBM Series Floor Box with Plastic Recess Lid
- Box size 198 x 197 x 90mm Deep
- Fitted with 4 x Auto-Switching 10A power outlets and 1 x Provision To Mount Standard Plate



EBMPRB4P

**esco**  
industries

THE ESCO GROUP OF COMPANIES

esco industries MODERAP MediTek

modempak

#### ESCO INDUSTRIES

89 Egerton St (Cnr Fariola & Egerton)  
PO Box 6193, Silverwater  
NSW 2128 AUSTRALIA

T 1300 879 363 F 1300 879 364

customer.service@escoindustries.com.au  
www.escoindustries.com.au

#### MODEMPAK NZ

Unit 11/273 Neilson St, Onehunga  
AUCKLAND 1061 NEW ZEALAND

D +64 9 526 1880 Freecall 0800 663 367

customer.service@modempak.co.nz  
www.modempak.co.nz

## ASSEMBLY DIAGRAM

### EBMPRB4P

### MODEL DESCRIPTION

EBM BOX, PLASTIC RECESS LID BEVEL SURROUND, 4 X AUTO SWITCHED POWER, 1 X PROVISION TO MOUNT STANDARD PLATE

